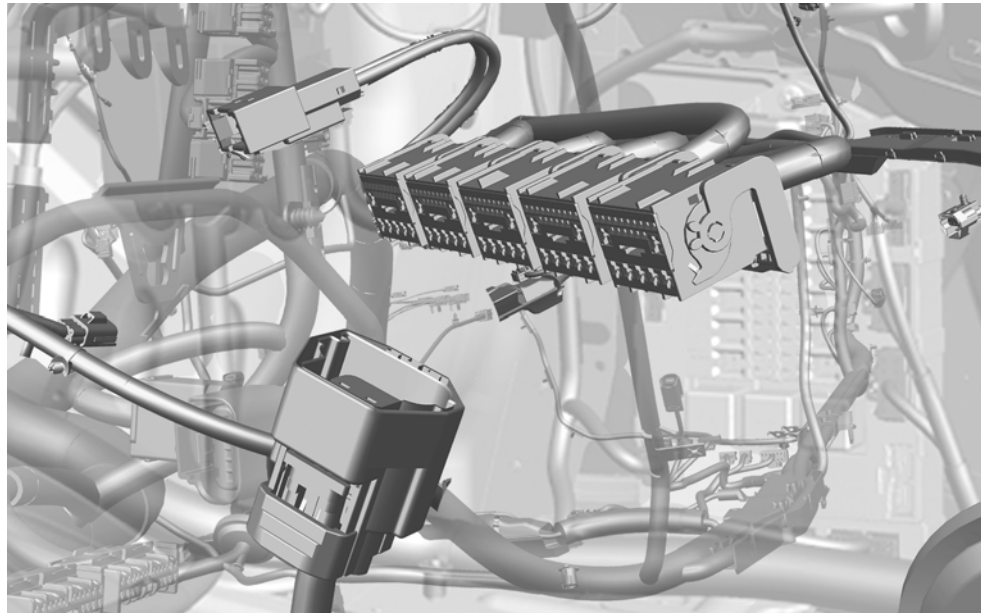




## Electrical Wiring Diagrams



**Discovery 3 - LR3**

VIN: 493487 >





BY APPOINTMENT TO  
HER MAJESTY QUEEN ELIZABETH II  
MANUFACTURERS OF LAND ROVER VEHICLES  
LAND ROVER, WARWICK



BY APPOINTMENT TO  
HIS ROYAL HIGHNESS THE DUKE OF EDINBURGH  
MANUFACTURERS OF LAND ROVER VEHICLES  
LAND ROVER, WARWICK



BY APPOINTMENT TO  
HIS ROYAL HIGHNESS THE PRINCE OF WALES  
MANUFACTURERS OF LAND ROVER VEHICLES  
LAND ROVER, WARWICK

# Electrical Wiring Diagrams

# Discovery 3 - LR3

Published by Technical Communications, Land Rover  
Publication Part No. JLR 13 63 21\_1E, June 2008

## **PREFACE**

---

While every effort is made to ensure accuracy, design changes to the vehicle may be made in the period between the completion of this publication and the introduction of vehicles.

All rights reserved. No part of this publication may be reproduced, stored in a retrieval system or transmitted in any form, electronic, mechanical, recording or other means without prior written permission from Land Rover.

Paper copies of this document are uncontrolled, always refer to the electronic source material for the latest information.

© 2008 Land Rover

---



# CONTENTS

## ABBREVIATIONS

..... 3

## USING THIS PUBLICATION

Health and safety ..... 4  
Using this publication ..... 4  
Section numbering ..... 4  
Circuit sheet numbering ..... 4  
Understanding the circuit diagrams ..... 4

## 204-04 - WHEELS AND TIRES

Tire pressure monitoring system ..... 6

## 204-05 - VEHICLE DYNAMIC SUSPENSION

Air suspension ..... 7

## 204-06 - RIDE AND HANDLING OPTIMIZATION

Terrain Response ..... 9

## 205-02 - REAR DRIVE AXLE AND DIFFERENTIAL

..... 10

## 206-05 - PARKING BRAKE AND ACTUATION

..... 12

## 206-09 - ANTI-LOCK CONTROL

Steering angle sensor ..... 14  
..... 15

## 211-04 - STEERING COLUMN

Steering wheel - heated ..... 17  
Memory ..... 18  
Clock spring ..... 19

## 303-03 - ENGINE COOLING

Cooling Fans - Diesel ..... 21

## 303-06 - STARTING SYSTEM

Ignition switch ..... 22

## 303-14 - ELECTRONIC ENGINE CONTROLS - PV8NA

PV8NA ..... 23

## 303-14A - ELECTRONIC ENGINE CONTROLS - DV6

DV6 - EU3 ..... 30  
DV6 - EU4 ..... 35

## 303-14B - ELECTRONIC ENGINE CONTROLS - PV6

PV6 ..... 41

## 307-01 - AUTOMATIC TRANSMISSION

Diesel ..... 47  
Petrol ..... 50

## 308-07 - FOUR WHEEL DRIVE SYSTEMS

Transfer box - Diesel ..... 53  
Transfer box - Petrol ..... 56

## 310-01 - FUEL TANK AND FUEL LINES

..... 58

## 412-01 - CLIMATE CONTROL

Non TSD ..... 60  
TSD ..... 63

## 412-02 - AUXILIARY CLIMATE CONTROL

Windshield heater ..... 67  
Rear window heater ..... 68  
Rear ..... 70  
Cool box ..... 72  
Fuel fired booster heater ..... 73

## 413-00 - INSTRUMENT CLUSTER AND PANEL ILLUMINATION

..... 74

## 413-01 - INSTRUMENT CLUSTER

..... 79

## 413-06 - HORN

..... 82

## 413-13 - PARKING AID

..... 83

## CONTENTS

### 414-01 - BATTERY, MOUNTING AND CABLES

Splices .....	86
Battery junction box .....	111
Transit relay .....	118
Ground distribution .....	119
Central junction box .....	128

### 414-02 - GENERATOR AND REGULATOR

Charging - DV6 .....	137
Charging - PV8NA .....	138
Charging - PV6 .....	139

### 415-00 - INFORMATION AND ENTERTAINMENT SYSTEM

High line - Harman Kardon .....	140
Low line .....	153

### 417-01 - EXTERIOR LIGHTING

Lighting control switch .....	155
Turn signal indicators and hazard flashers .....	156
Headlamp levelling .....	158
Trailer socket - NAS .....	159
Fog lamps - non NAS .....	161
Headlamps .....	162
Trailer socket - Europe .....	165
Fog lamps - NAS .....	167
Stop and reverse lamps .....	168
Headlamps - adaptive front lighting system .....	169
Headlamps - cornering .....	171

### 417-02 - INTERIOR LIGHTING

.....	172
-------	-----

### 418-00 - MODULE COMMUNICATIONS NETWORK

CAN bus - medium speed .....	175
Diagnostic socket .....	177
MOST .....	178
CAN bus - high speed .....	192

### 419-01 - ANTI-THEFT SYSTEM

Passive .....	196
Active .....	197

### 501-09 - REAR VIEW MIRRORS

Fold back .....	200
Non memory .....	201
Memory .....	202
Electrochromic .....	204
Heated .....	205

### 501-10 - SEATING

Memory .....	206
Lumbar Support .....	208
Heated - front .....	209
Non memory - NAS .....	210
Lumbar support - memory .....	212
Heated - rear .....	213

### 501-11 - GLASS, FRAMES AND MECHANISMS

Window lift .....	216
-------------------	-----

### 501-12 - INSTRUMENT PANEL AND CONSOLE

.....	218
Cigar lighter .....	219

### 501-14 - HANDLES, LOCKS, LATCHES AND ENTRY SYSTEMS

Central locking system .....	220
------------------------------	-----

### 501-16 - WIPERS AND WASHERS

Power wash .....	225
Washer jets - heated .....	226
Rear .....	227
Front .....	229

### 501-17 - ROOF OPENING PANEL

.....	230
-------	-----

### 501-20 - SUPPLEMENTAL RESTRAINT SYSTEM

NAS .....	231
Non NAS .....	235

## ABBREVIATIONS

---

Abbreviation	Description
ABS	Anti-lock braking system
AFS	Adaptive front lighting system
AUTO	Automatic transmission
CAN	Controller area network
DSC	Dynamic stability control
D4	Diesel engine - Straight-four
DV6	Diesel engine - V6
DV8	Diesel engine - V8
EGR	Exhaust gas recirculation
FET	Field effect transistor
GPS	Global positioning system
HS CAN	High speed controller area network bus
PV6	Petrol engine - V6
PV8	Petrol engine - V8
PV8NA	Naturally aspirated engine - V8
PV8SC	Super charged engine - V8
LH	Left-hand
LIN	Local interconnect network
MAF/IAT	Mass air flow / intake air temperature
MS CAN	Medium speed controller area network bus
NAS	North American specification
PDC	Park distance control
RH	Right-hand
TPMS	Tire pressure monitoring system
TSD	Touch screen display

## USING THIS PUBLICATION

### Health and safety

Always follow health and safety guidelines, specifically those detailed in the Workshop Manual.

### Using this publication

The information provided in this publication is for use only by competent, qualified auto-electricians. Good product knowledge is assumed, as well as the ability to access and use recommended test equipment and other reference material provided.

### Test equipment and other reference material

The information in this publication should be used in conjunction with the recommended test equipment; refer to Workshop Manual. Other reference material includes: Technical Service Bulletins (TSB) and the Workshop Manual.

The Electrical Reference Library (ERL) may also prove useful since it provides detailed connector information.

### Battery disconnection and reconnection

It is imperative that any information relating to battery disconnection and reconnection is followed; refer to the appropriate sections in the Workshop Manual.

### Fault Diagnosis

Always use the recommended test equipment for correct and reliable fault diagnosis, refer to the Workshop Manual.

### Harness Repair

Repairs should only be undertaken for connectors where a Service Repair Kit is available; refer to the appropriate Electrical Reference Library (ERL).

**Note:** Fibre Optic circuits cannot be repaired; refer to the Workshop Manual.

### Section numbering

The sections in this publication are ordered to match the Global Outline numbering system as found in the current Workshop Manual. The Power and Ground distribution circuits can be found under section 414-01, BATTERY, MOUNTING AND CABLES.

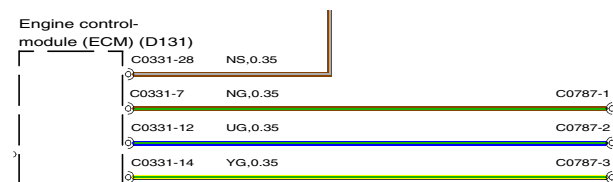
**Note:** Where circuit diagrams show more than one sub-system, the circuit will be located in the section that carries the first-named sub-system, for example: Starting and Charging will be located under section 303-06 Starting System, since 'Starting' is the first-named sub-system.

### Circuit sheet numbering

The figures in brackets to the left of the page number indicate a circuit sheet number and the total number of sheets per circuit, for example (01 / 05) represents sheet 1 of 5.

### Understanding the circuit diagrams

#### Components



After each component description, a translation code is displayed in brackets, for example: Starter relay (R102), Engine control-module (ECM)(D131). The codes can be ignored.

**Note:** A dotted outline indicates that the component identified is not shown in its entirety.

#### Connectors

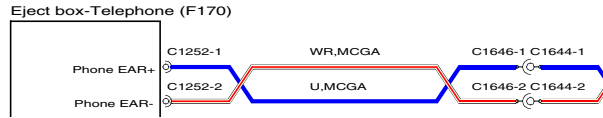
Connectors and header joints are identified by their corresponding connector number with a numbered suffix to indicate the pin-out detail of the wire, i.e. C0292-1 identifies connector 292, pin number 1. Wire insulation colours are listed in a table at the end of this section. Where wires have a predominant colour with a secondary colour tracer, the main colour is identified first, i.e. WH-BK - white with a black tracer.

## USING THIS PUBLICATION

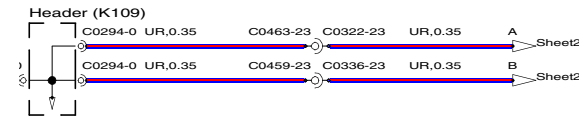
### Wire length (Power and Ground Distribution only)

The wire length (in millimetres) is displayed after the colour and cross sectional area; for example, SR,0.35,480. In this example, the figure, 480 indicates the approximate position of the harness splice is 480mm from connector C2335.

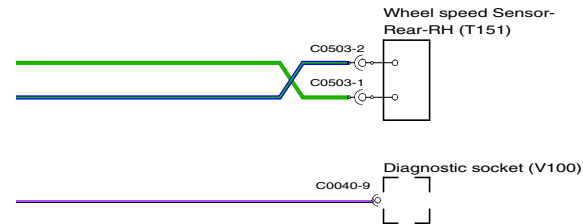
### Line Types



Crossed wires as illustrated above show an example of how a twisted pair of wires may be represented on the circuits.



The arrows illustrated above show an example of the page break symbols, identifying that the circuit continues at the corresponding letter on the sheet number indicated.



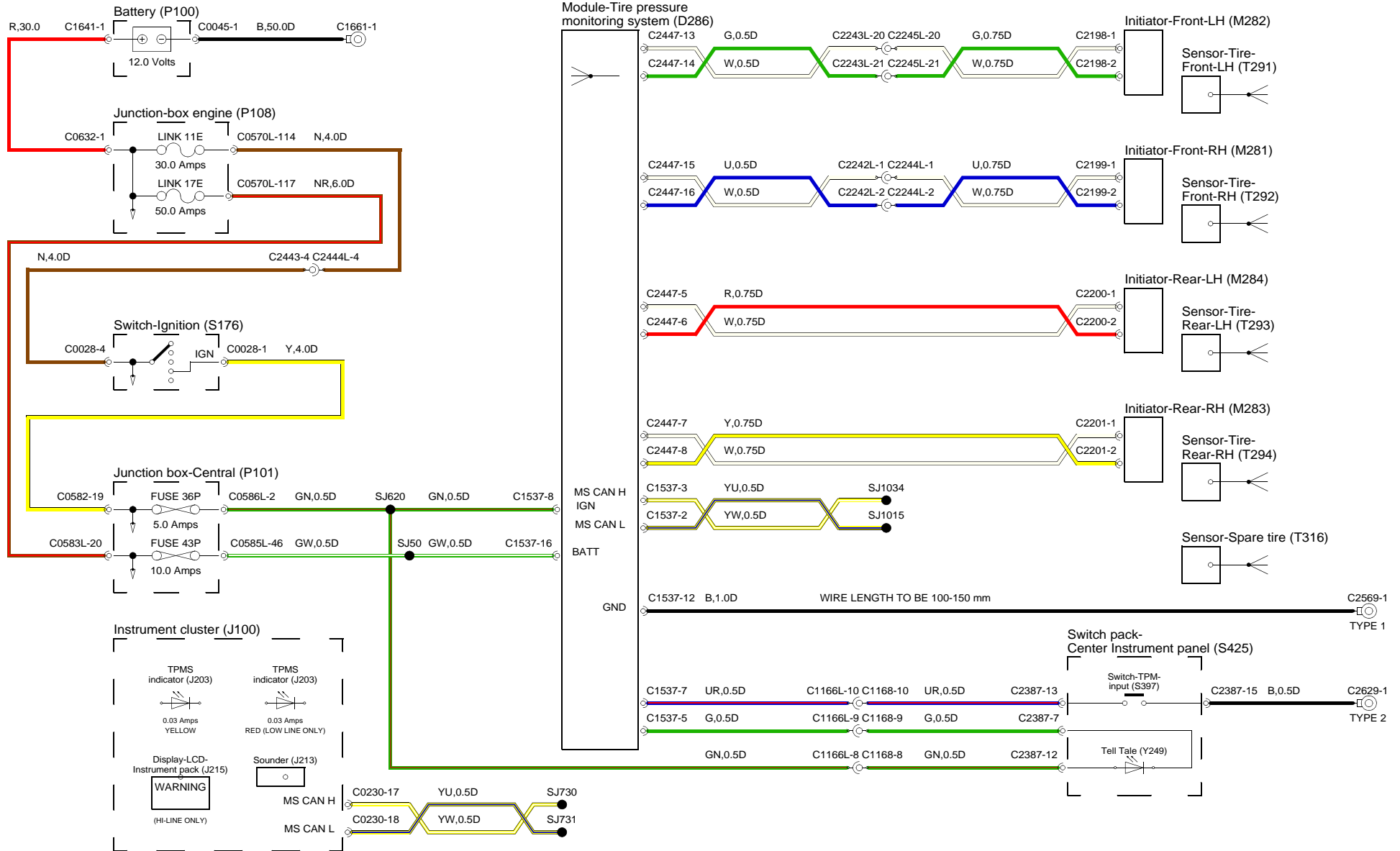
The cup and ball symbol represents the male and female halves of connector. Most connectors plug directly into a component but some are wired directly to the component using a 'flylead' as with C503 above.

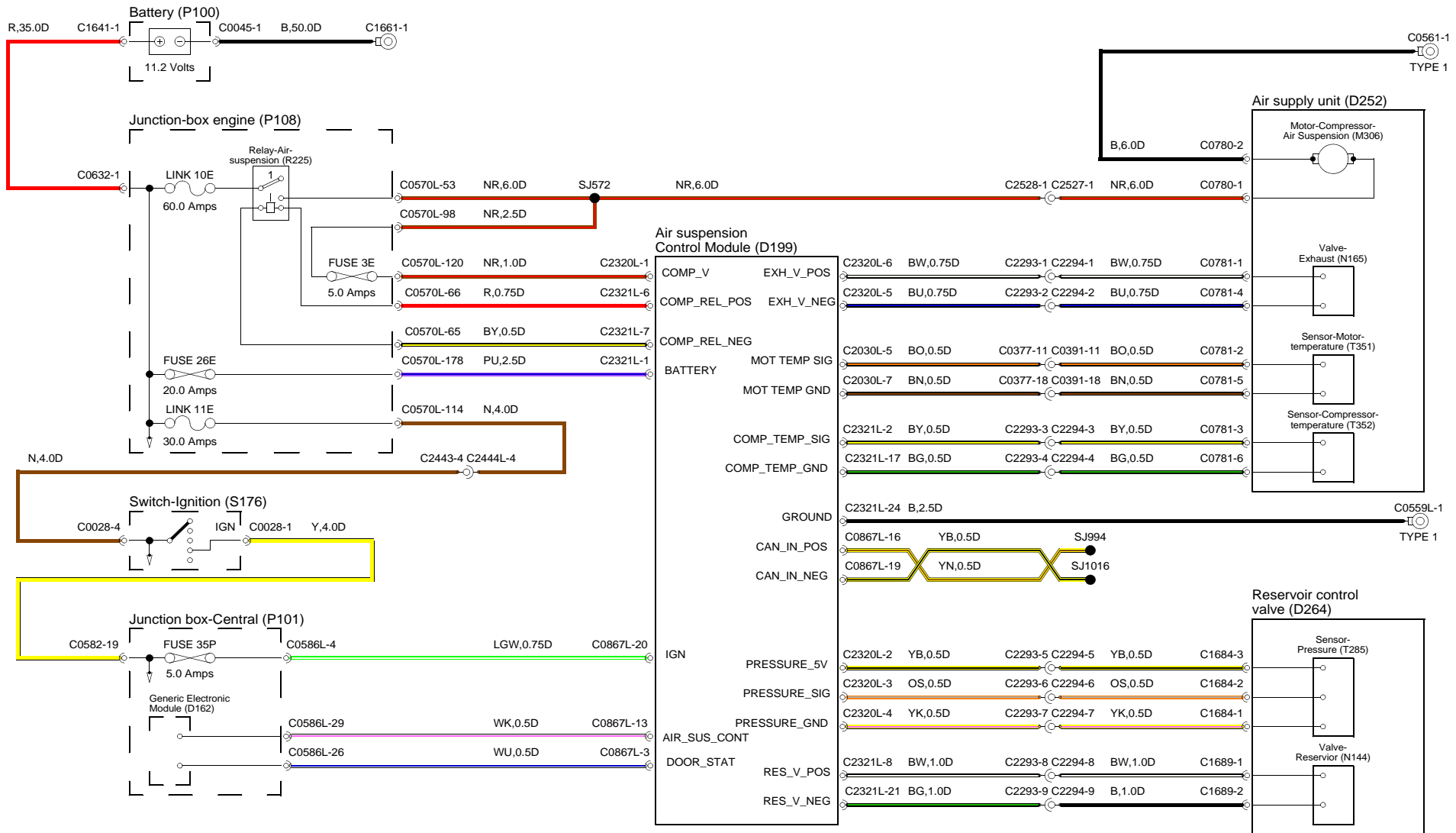
### Ground points

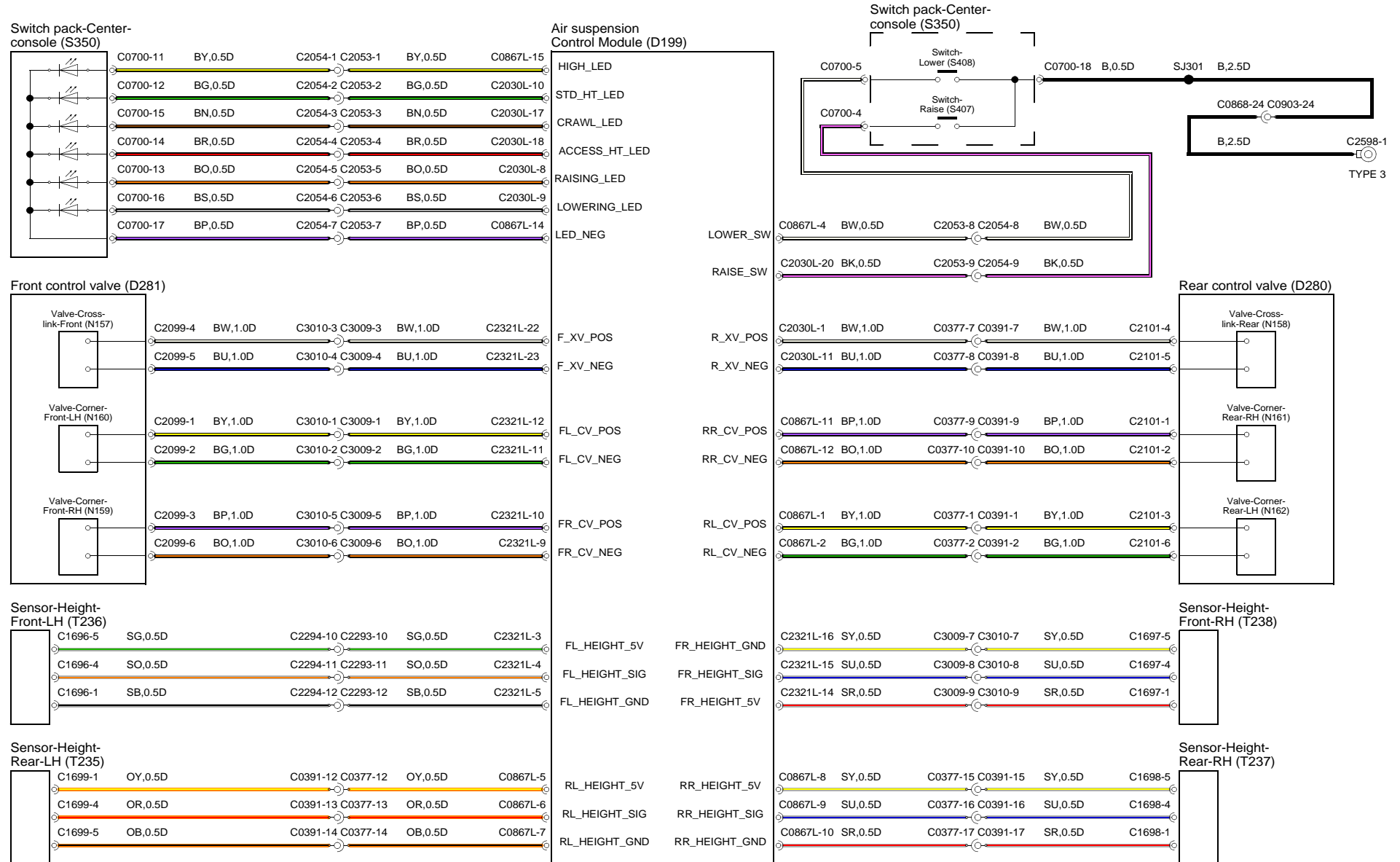
Ground points are identified with an eyelet symbol and a connector number, except where components are grounded through its fixings, when only the eyelet is shown.

### Colour Codes

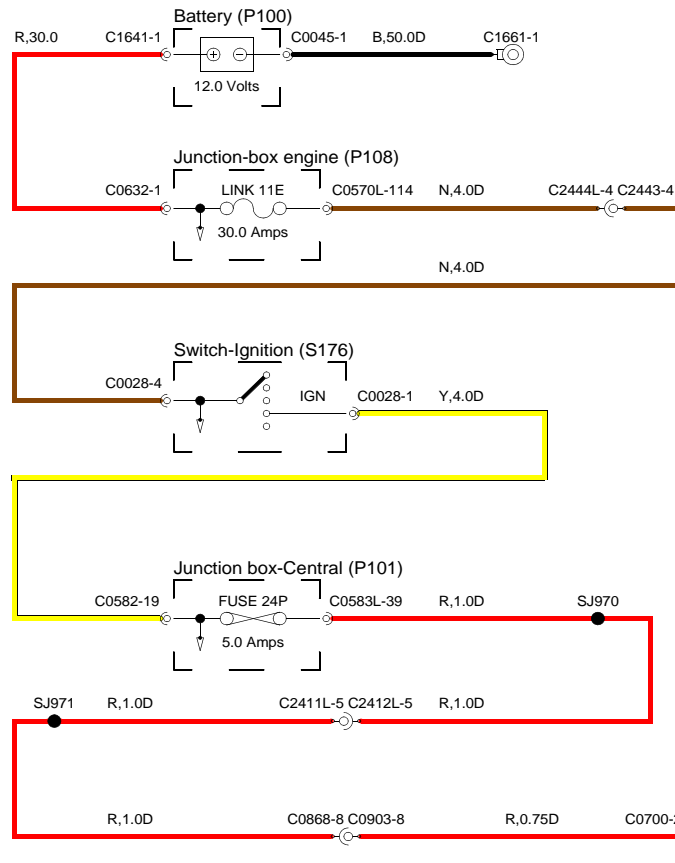
CODE	COLOUR
BK or B	BLACK
BN or N	BROWN
BU or U	BLUE
GN or G	GREEN
GY or S	GREY (slate)
OG or O	ORANGE
PK or K	PINK
RD or R	RED
VT or P	PURPLE
WH or W	WHITE
YE or Y	YELLOW



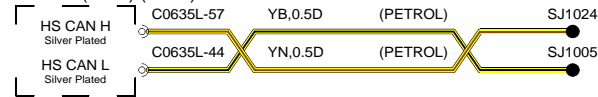




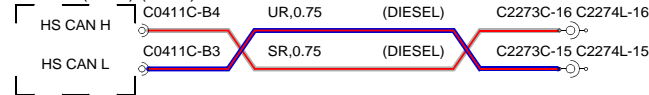




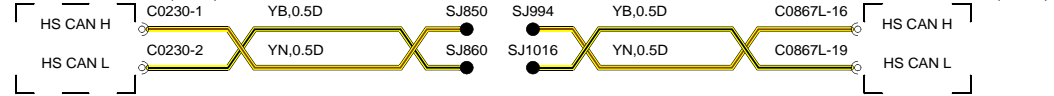
Engine control module (ECM) (D131)



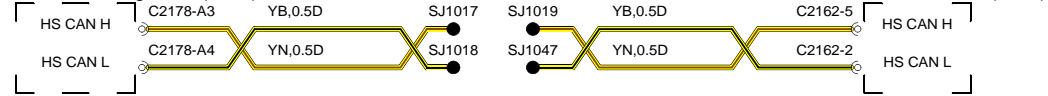
Engine control module (ECM) (D131)



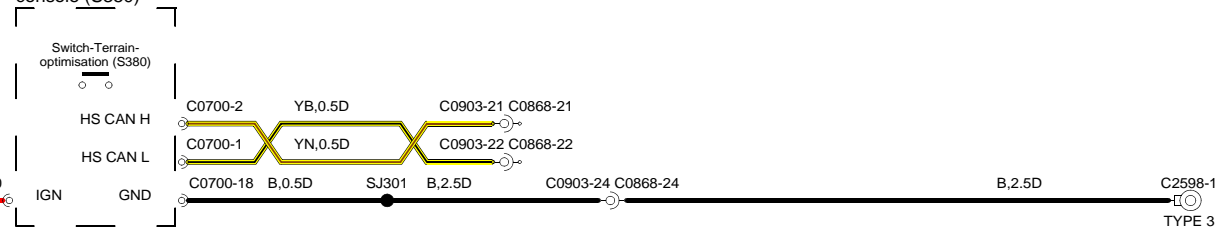
Instrument cluster (J100)



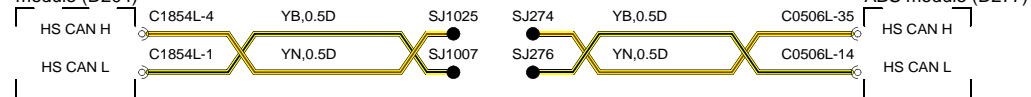
Module-Parking brake (D278)



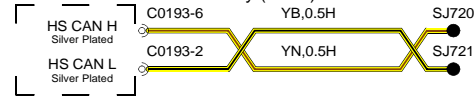
Switch pack-Center-console (S350)



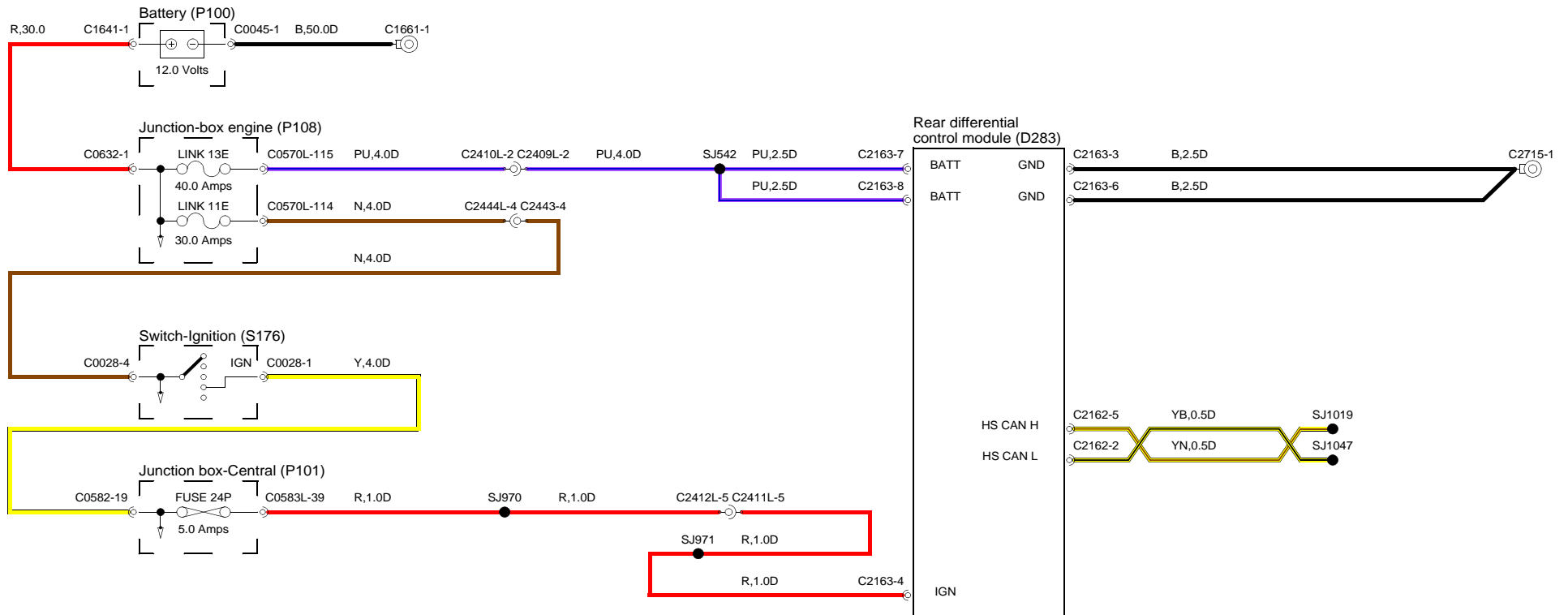
Transfer box control module (D204)



TCM and Control Valve Body (D306)

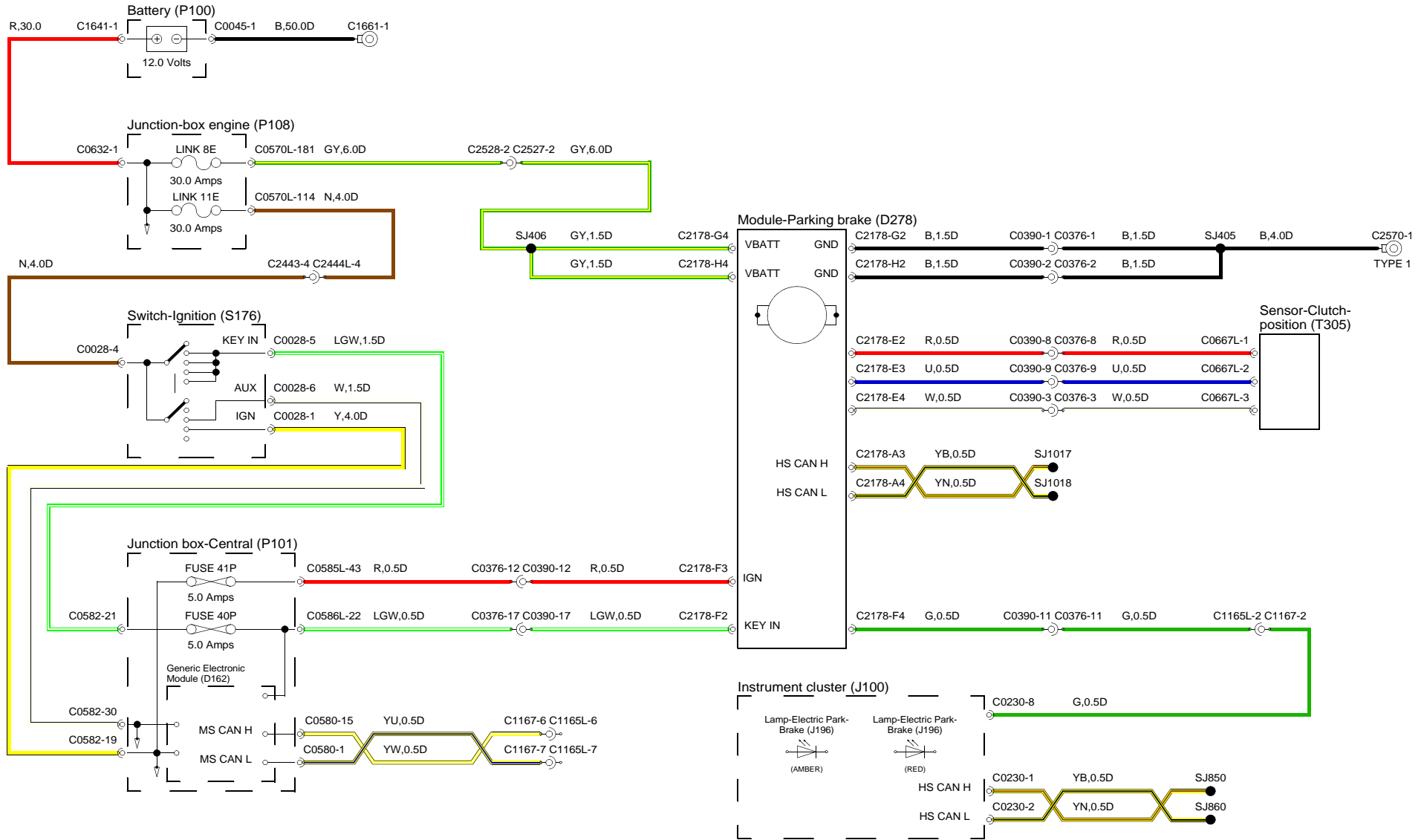


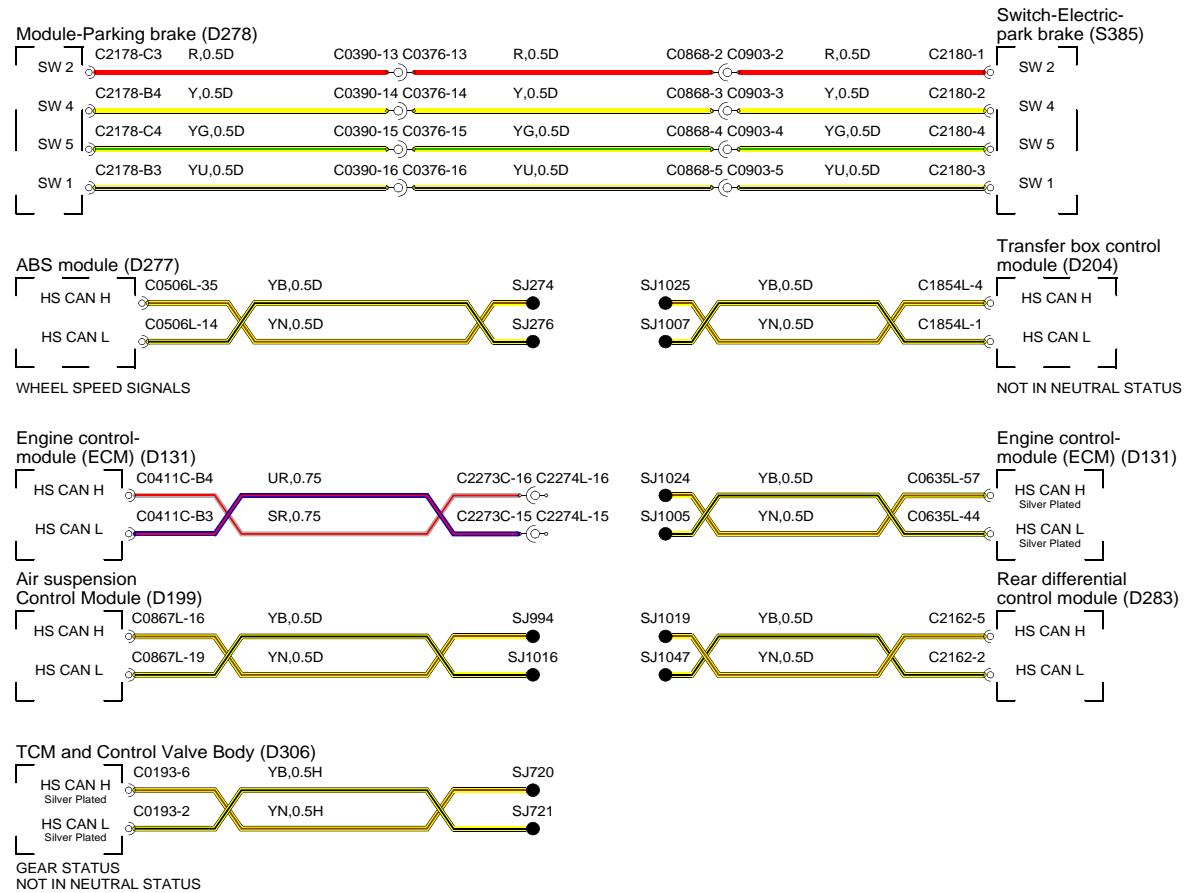
# 205-02 - REAR DRIVE AXLE AND DIFFERENTIAL

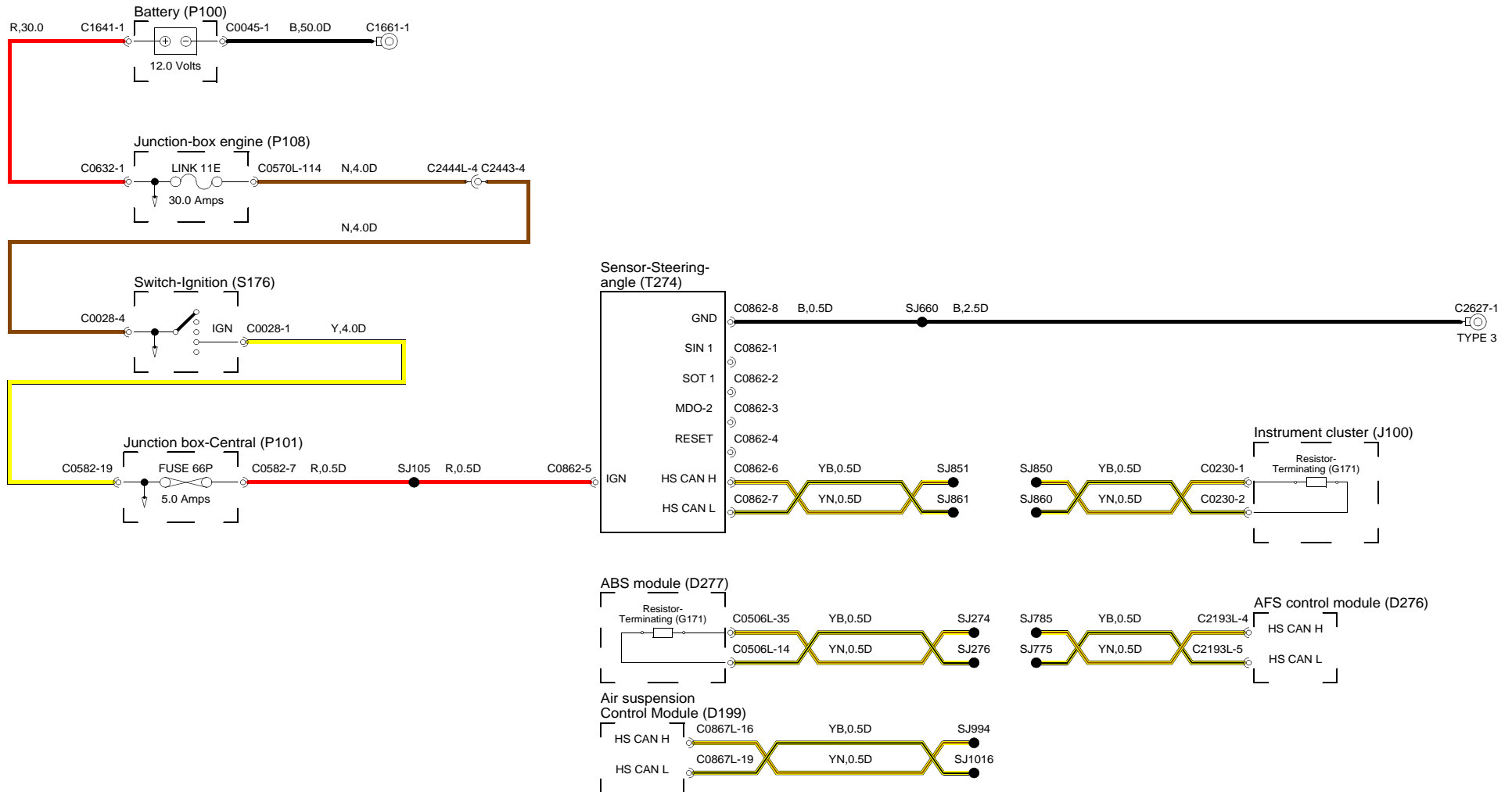


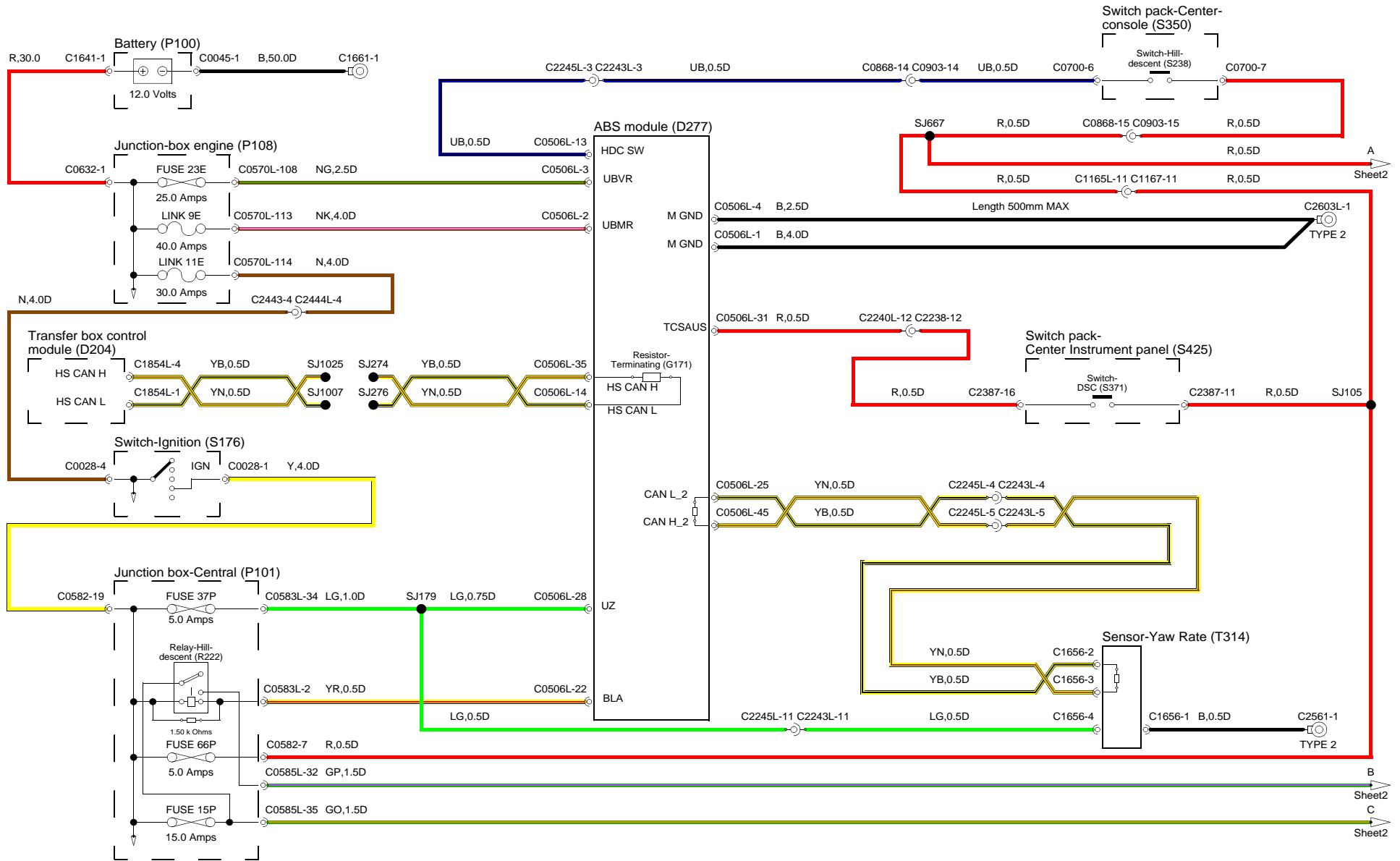


# 206-05 - PARKING BRAKE AND ACTUATION

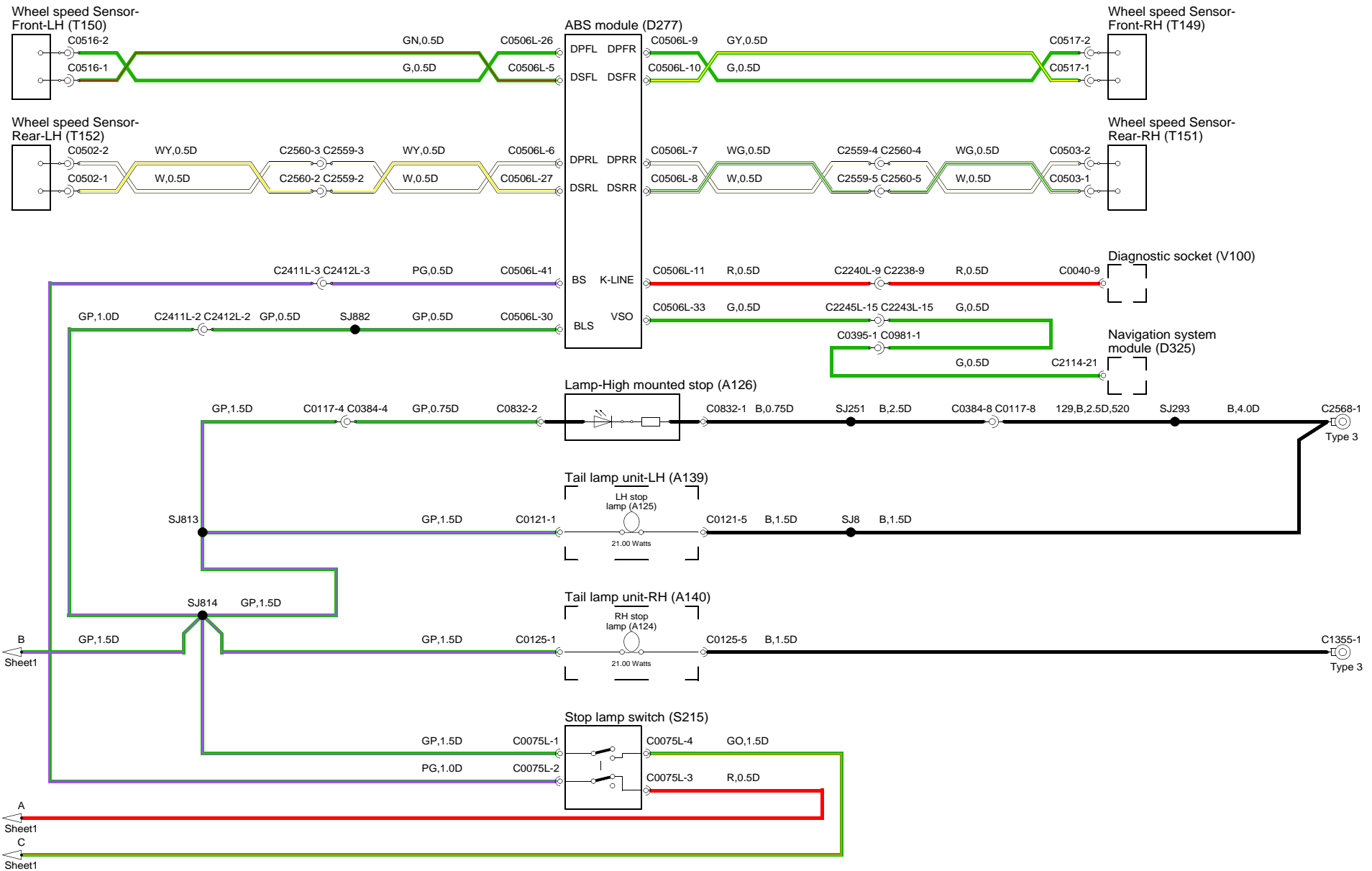




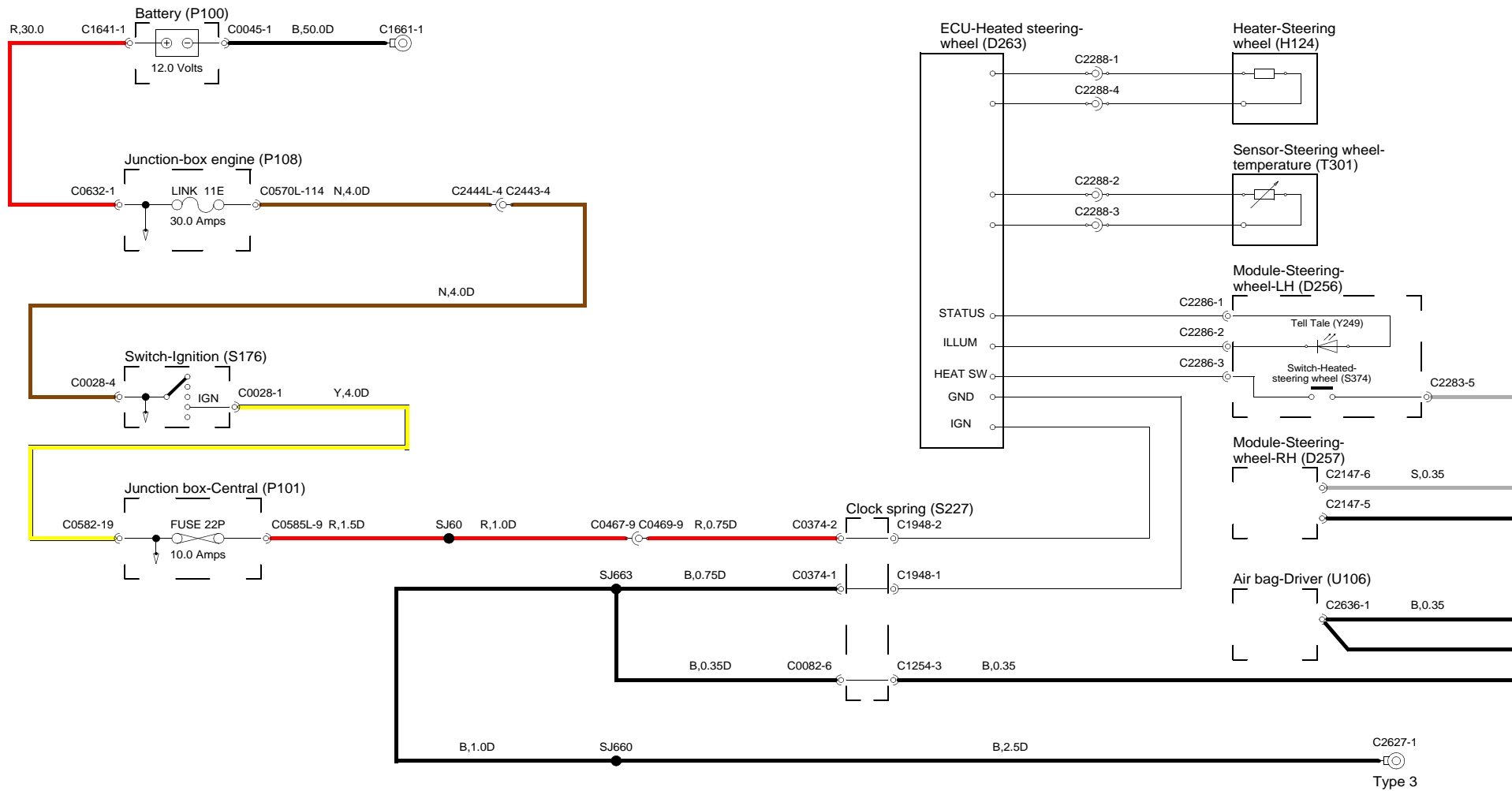


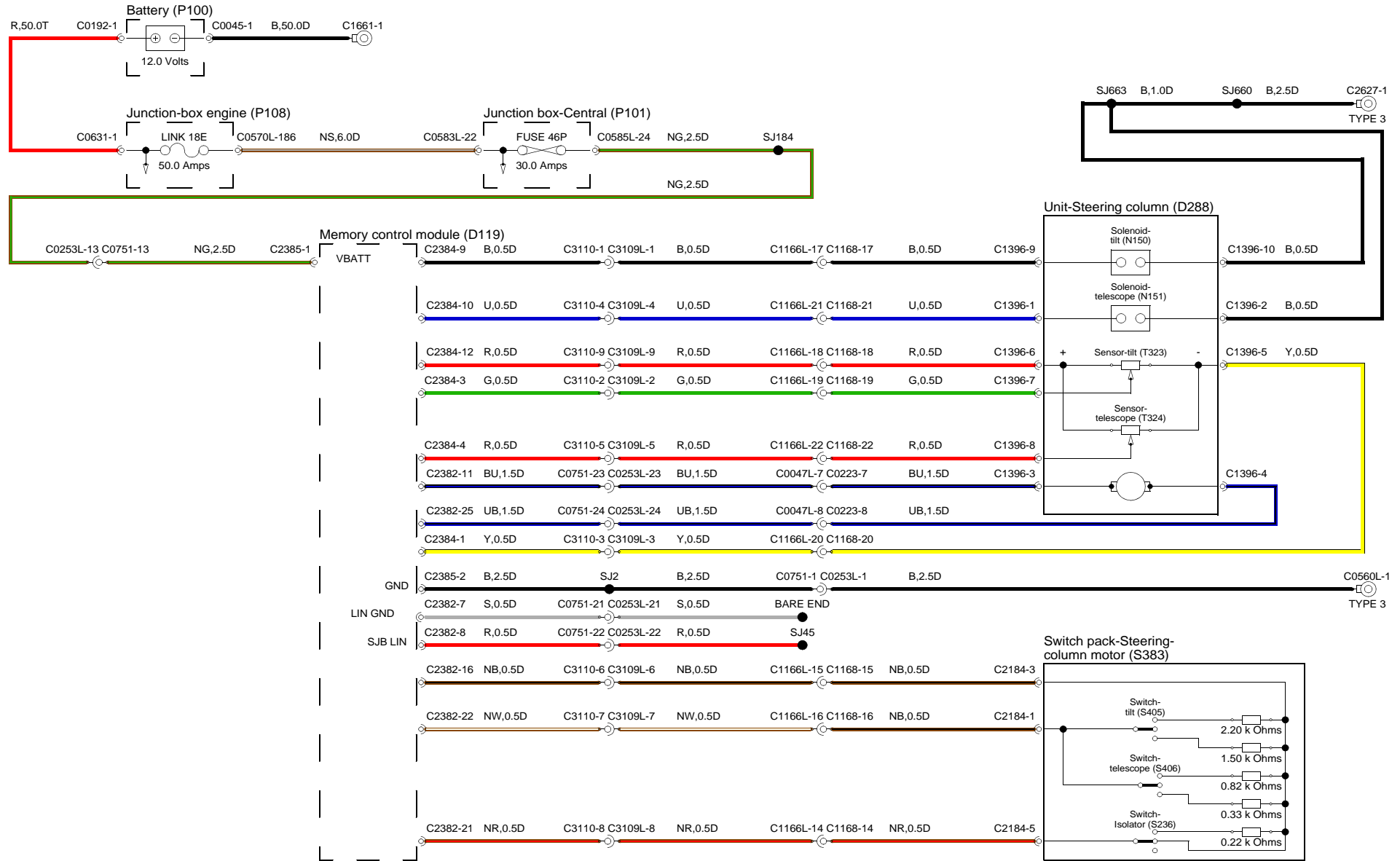


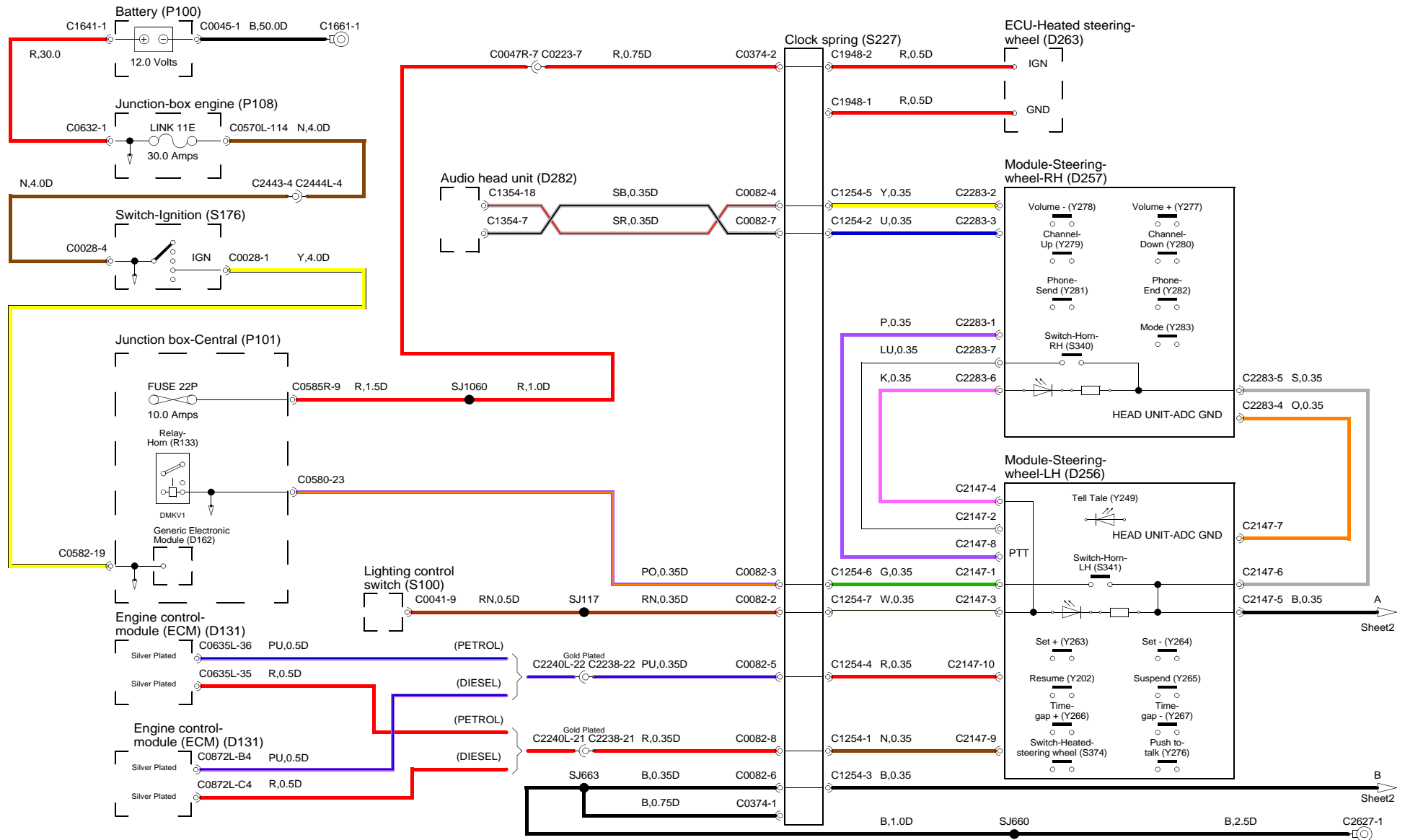
# 206-09 - ANTI-LOCK CONTROL

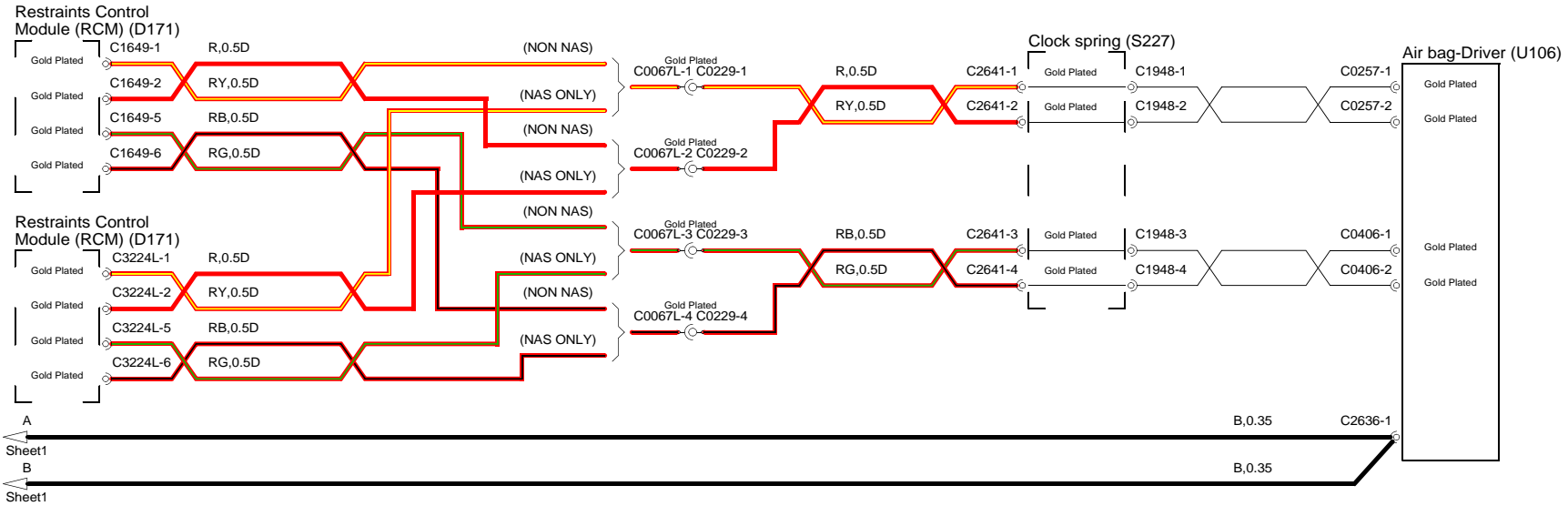


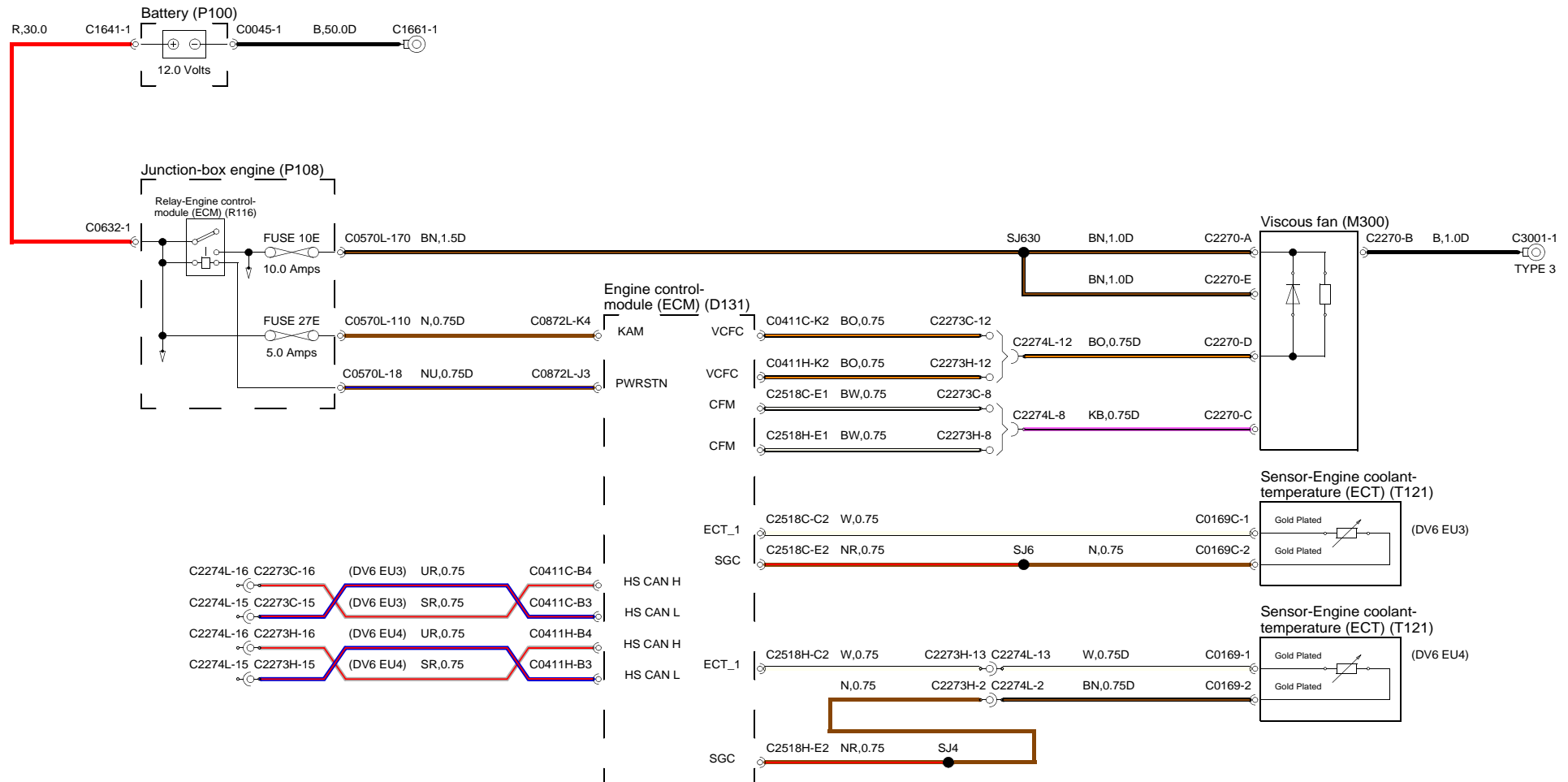


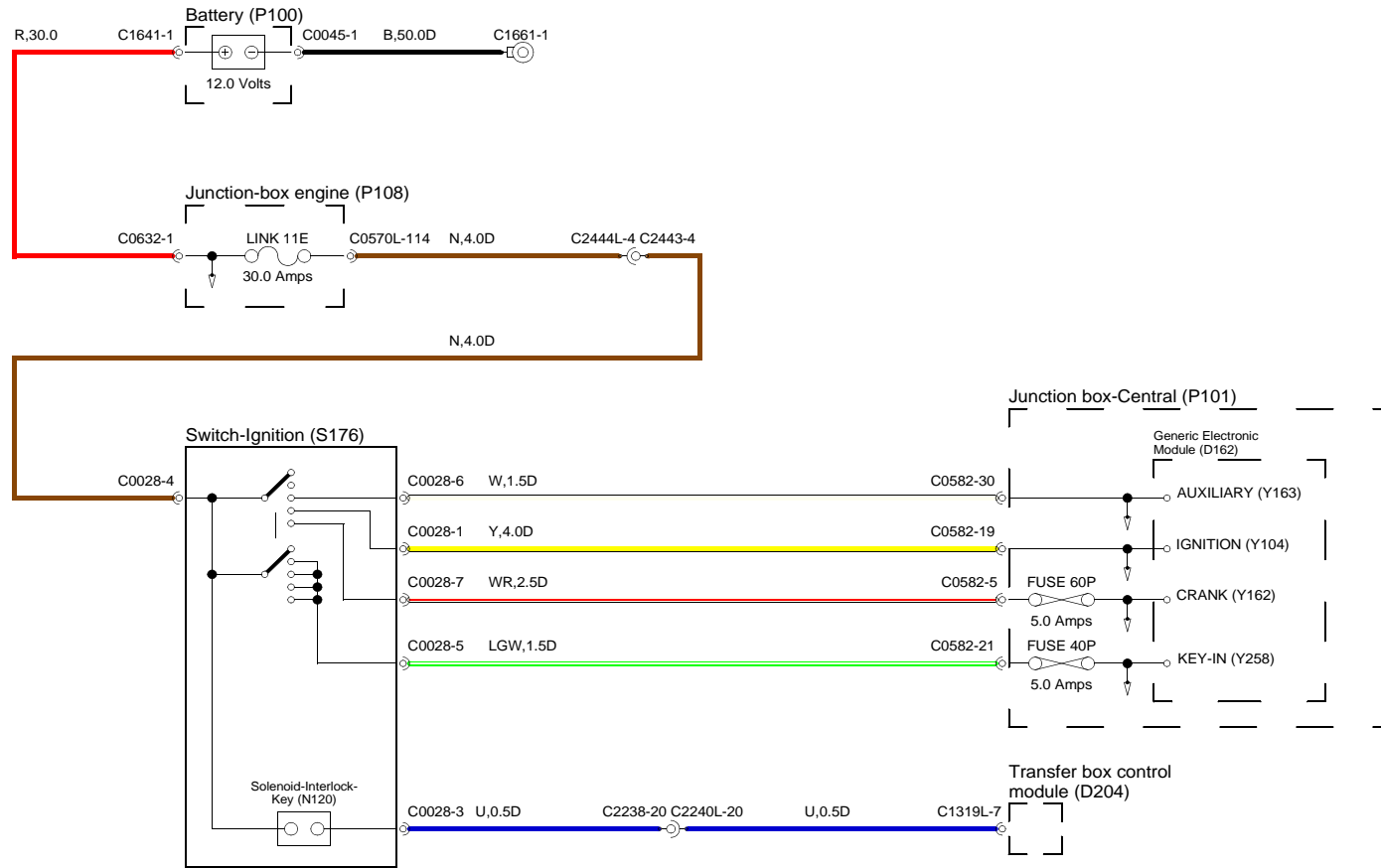


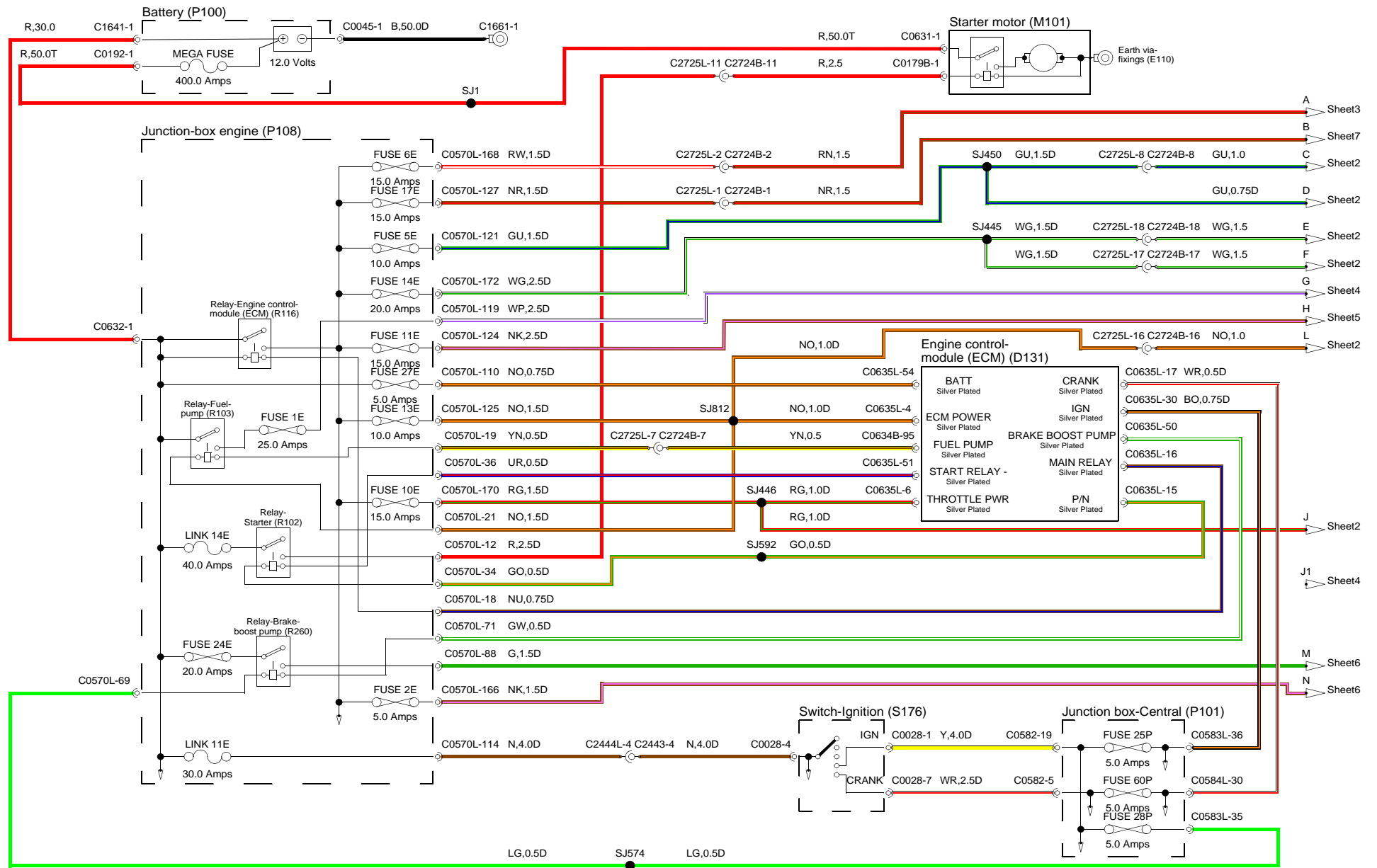


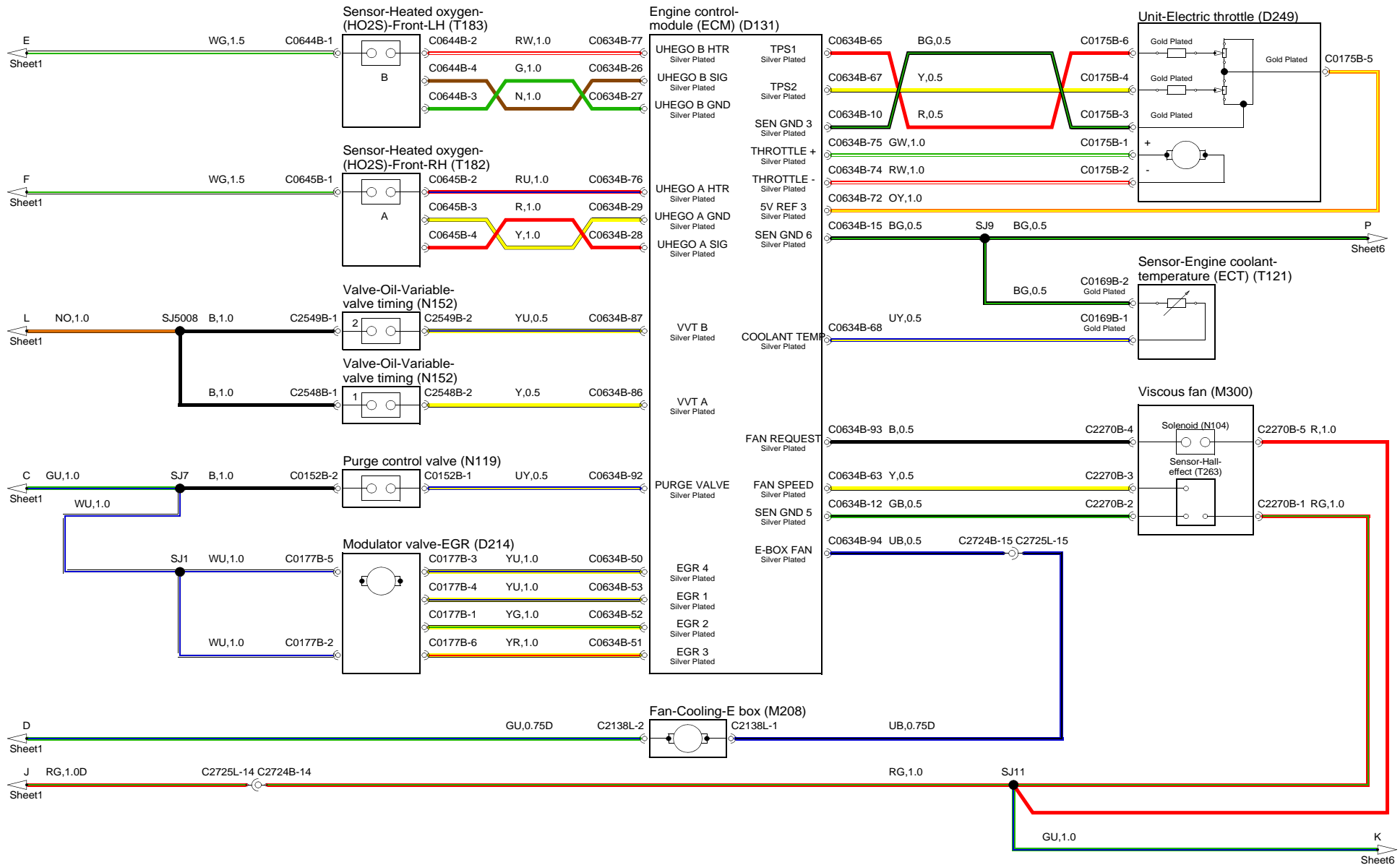




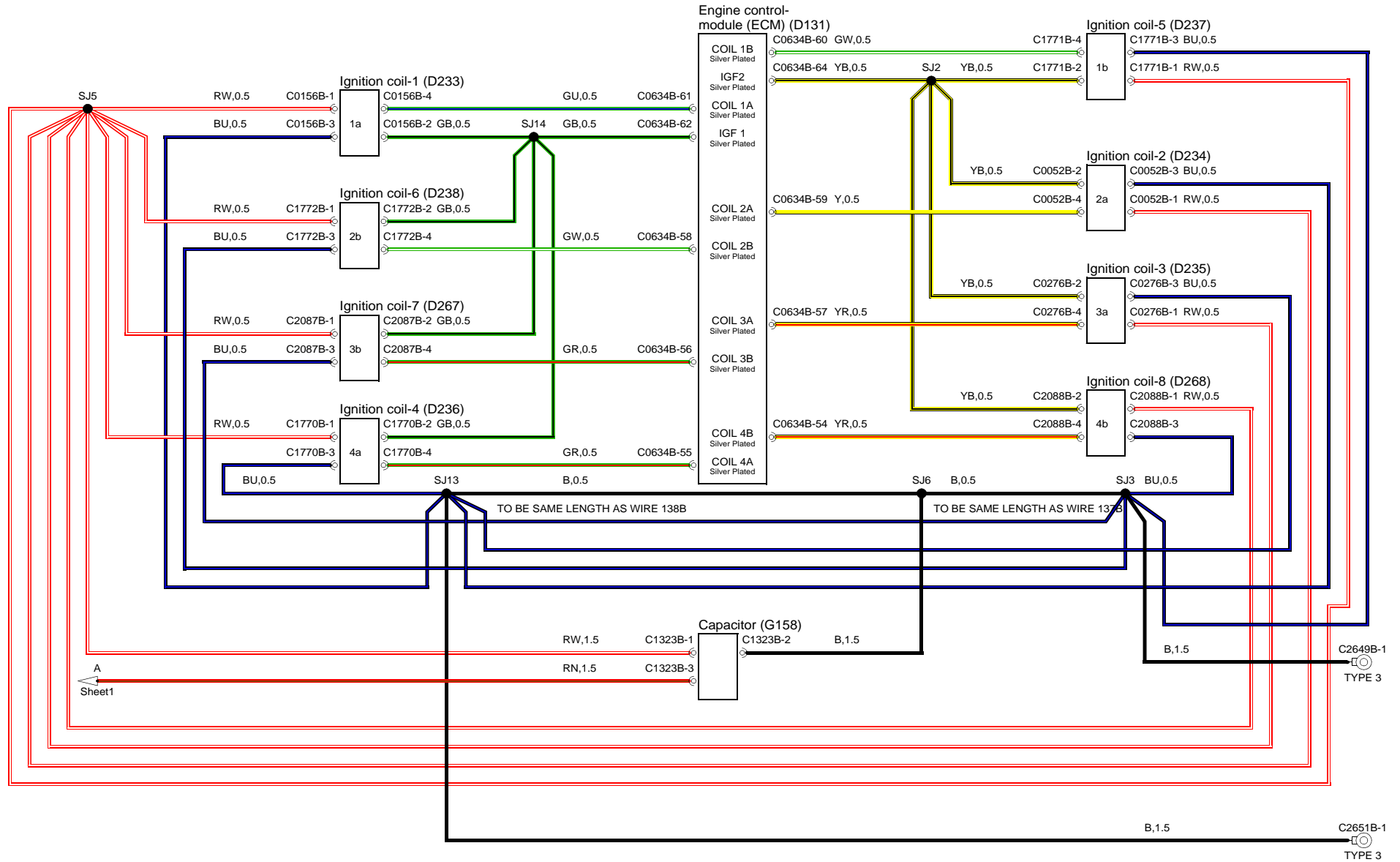


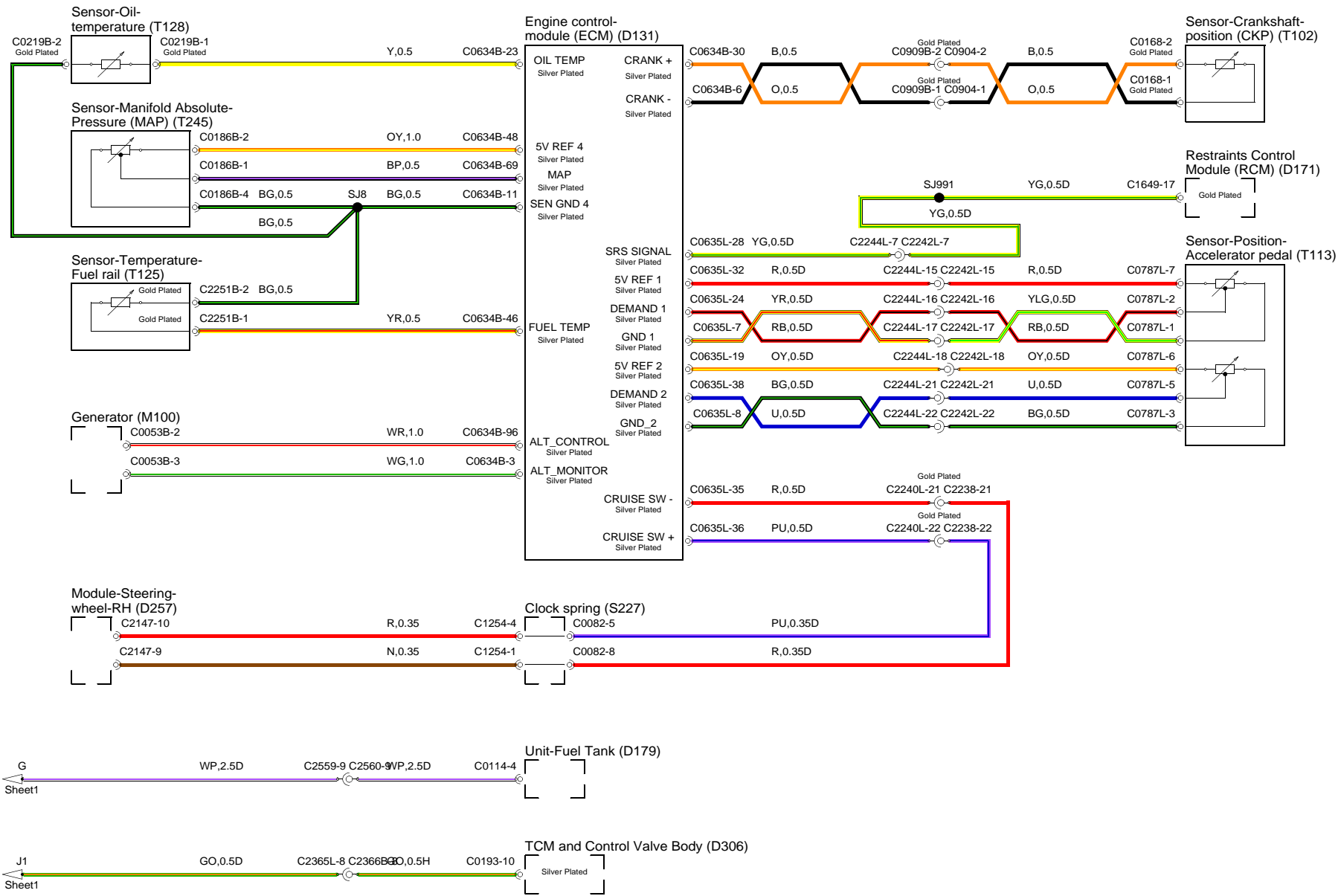


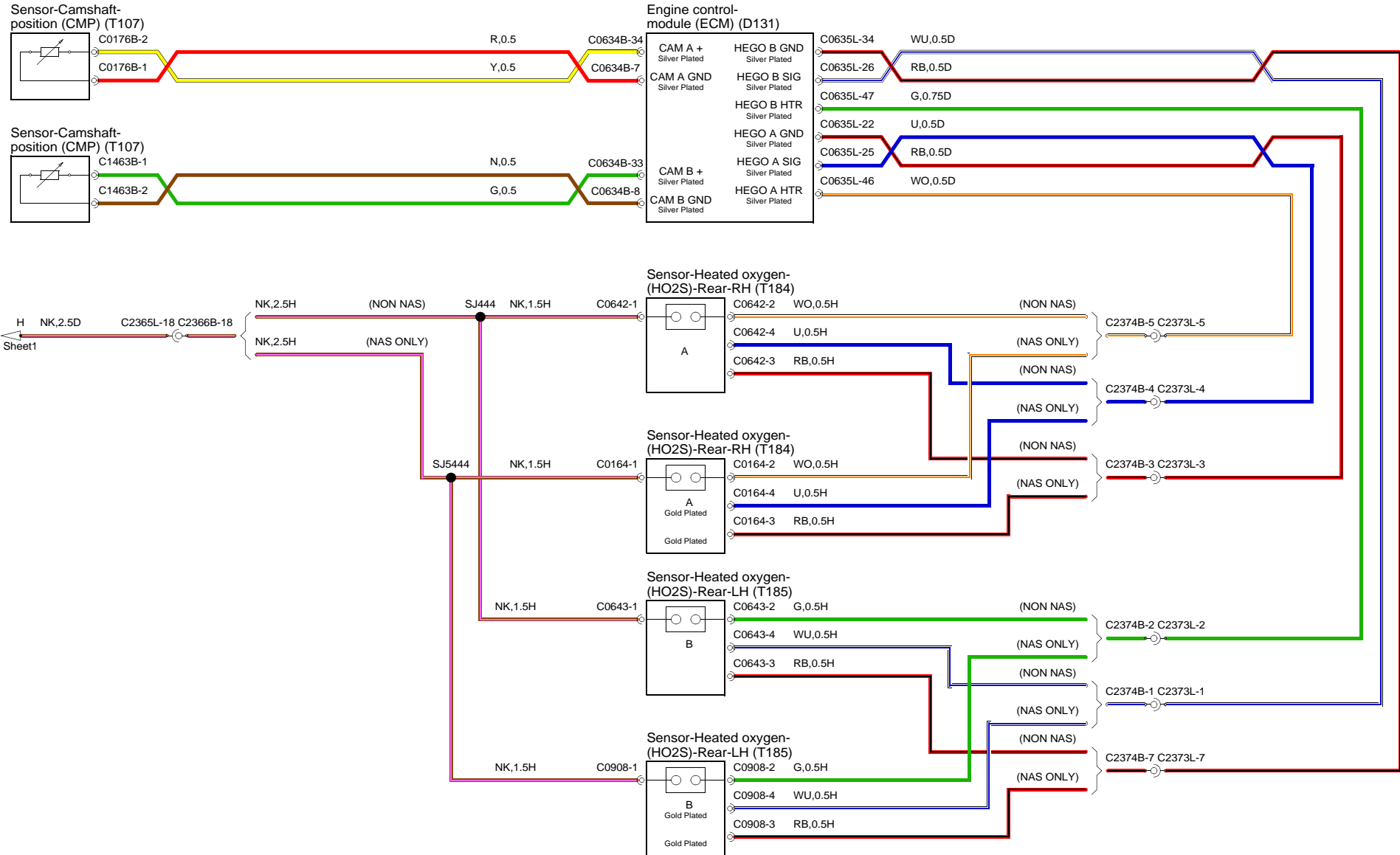


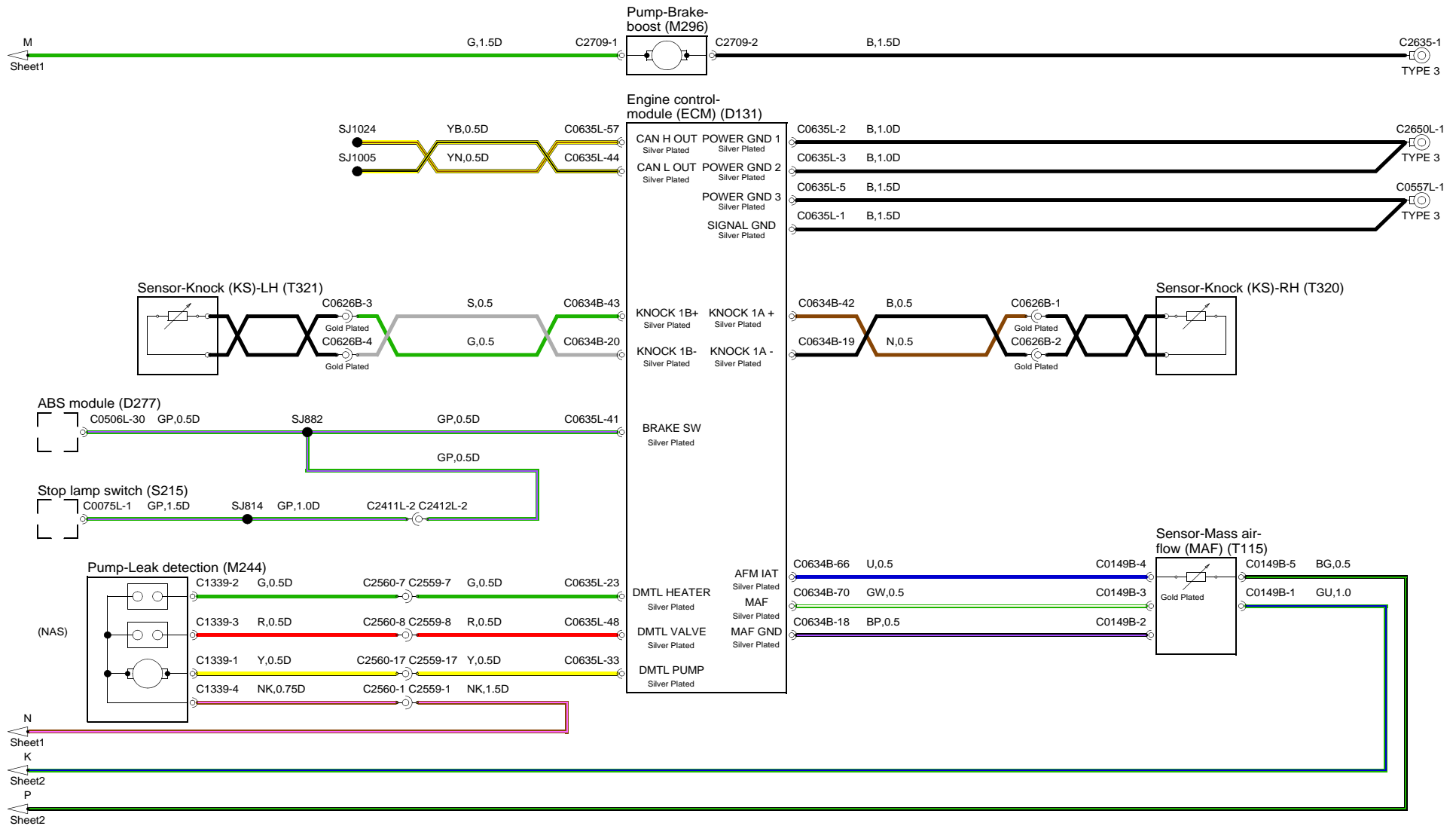


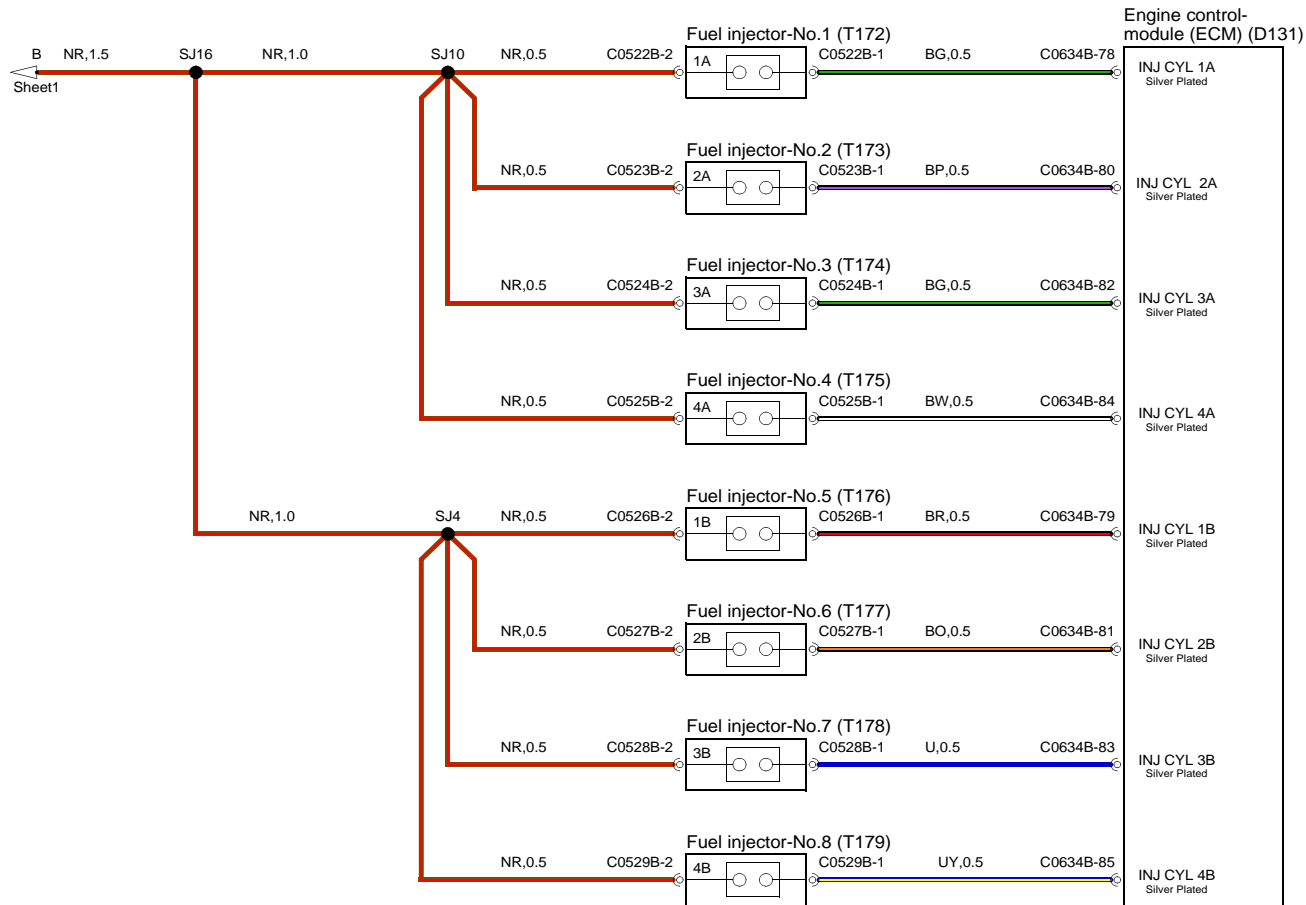


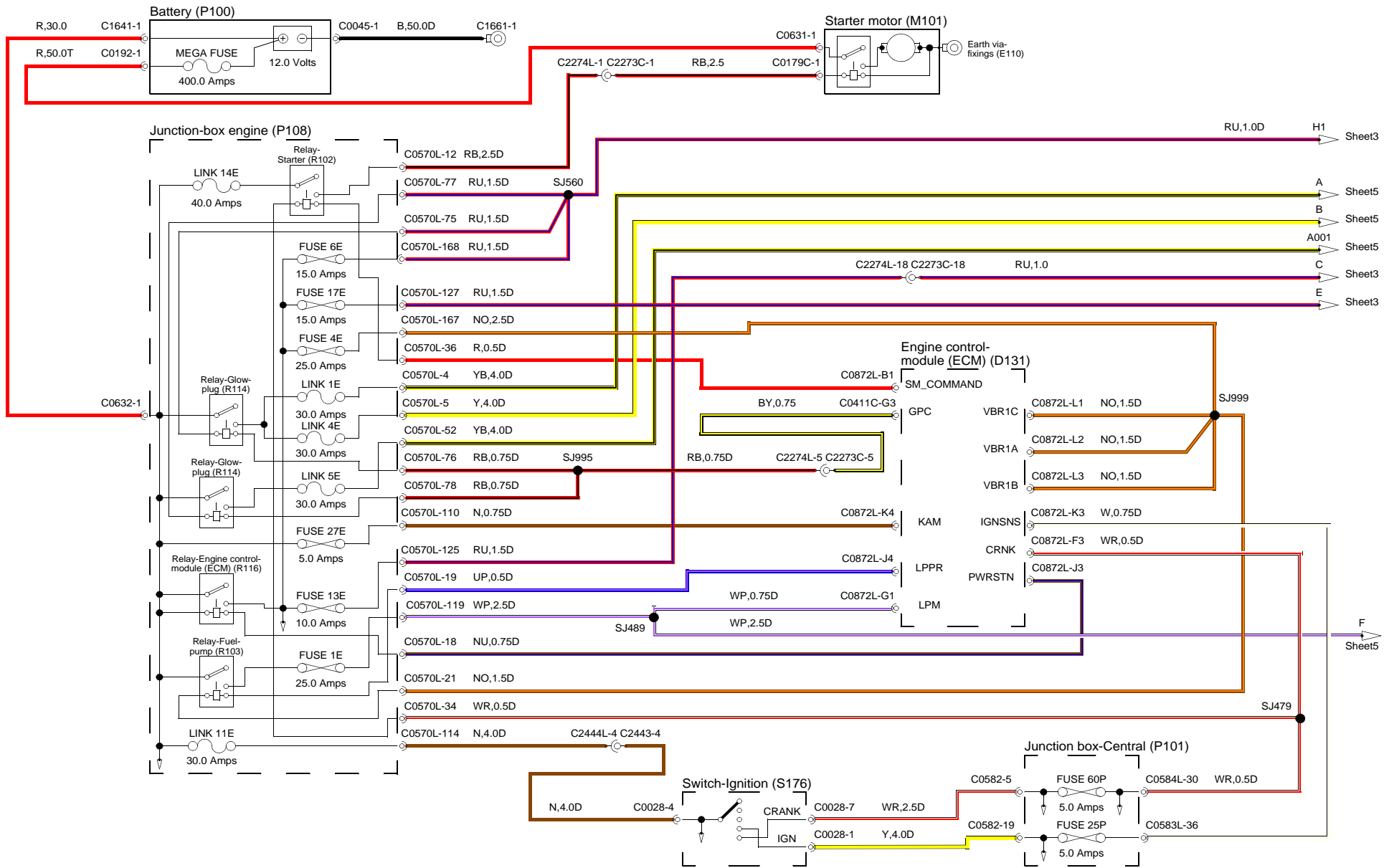


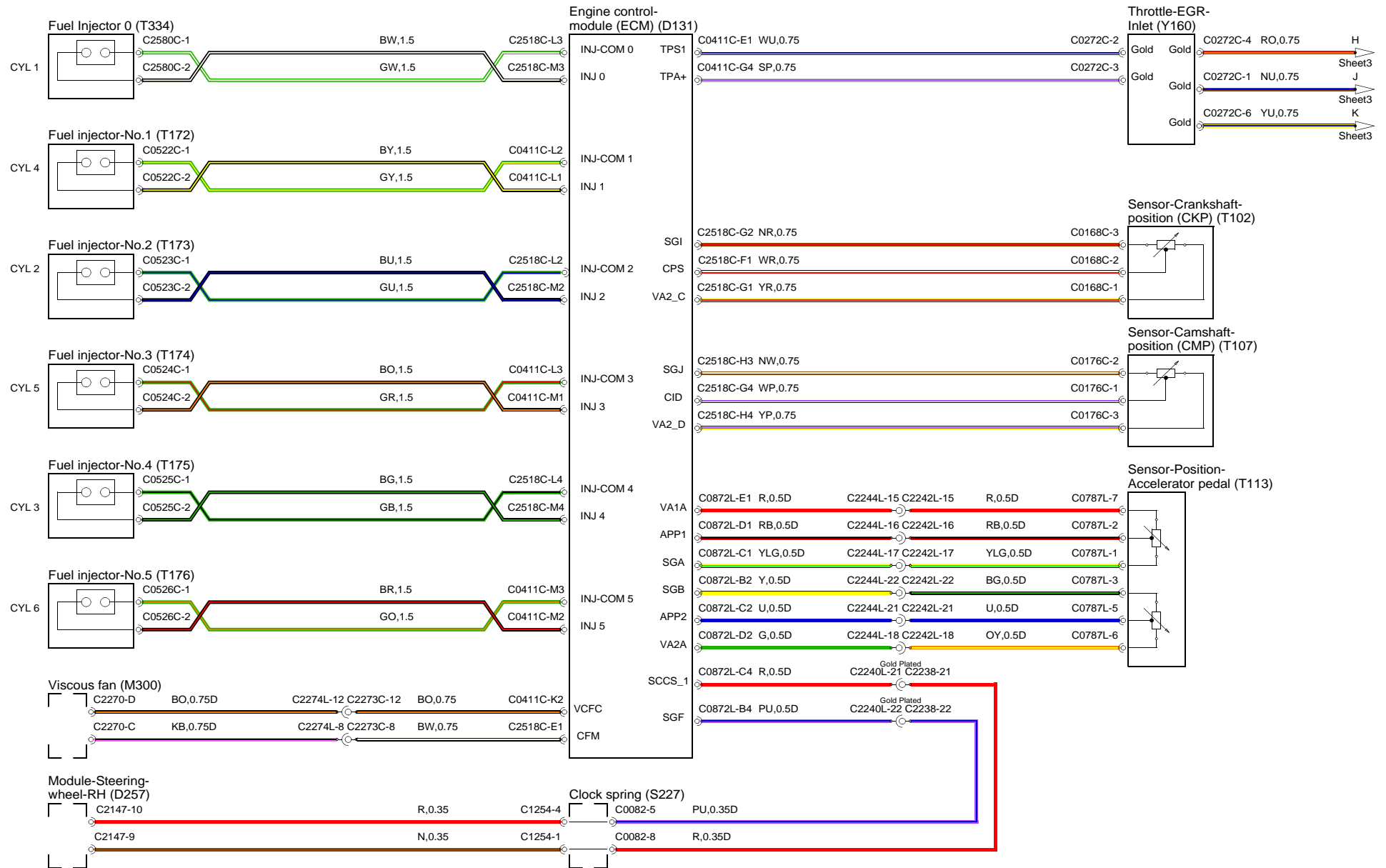


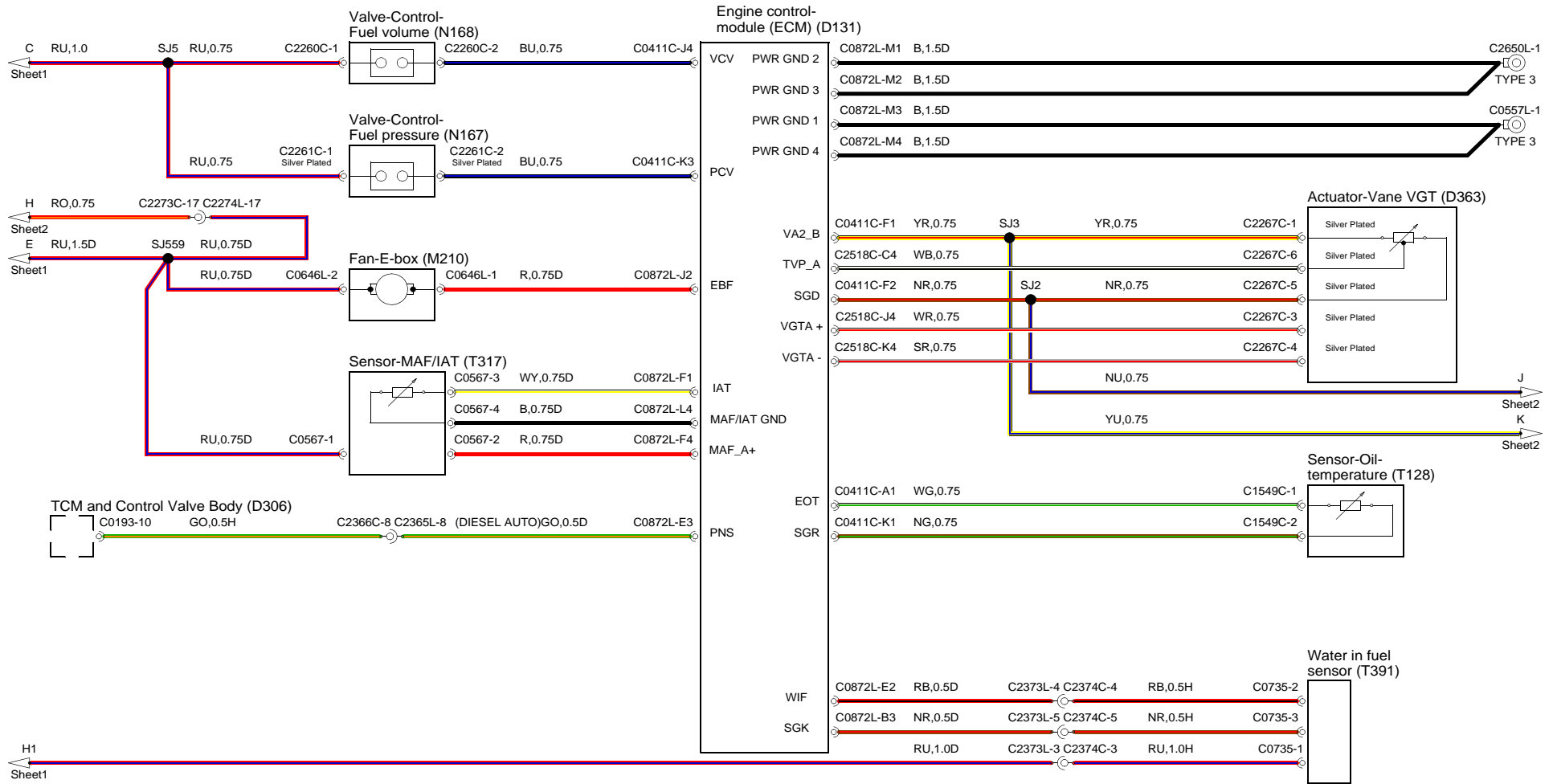




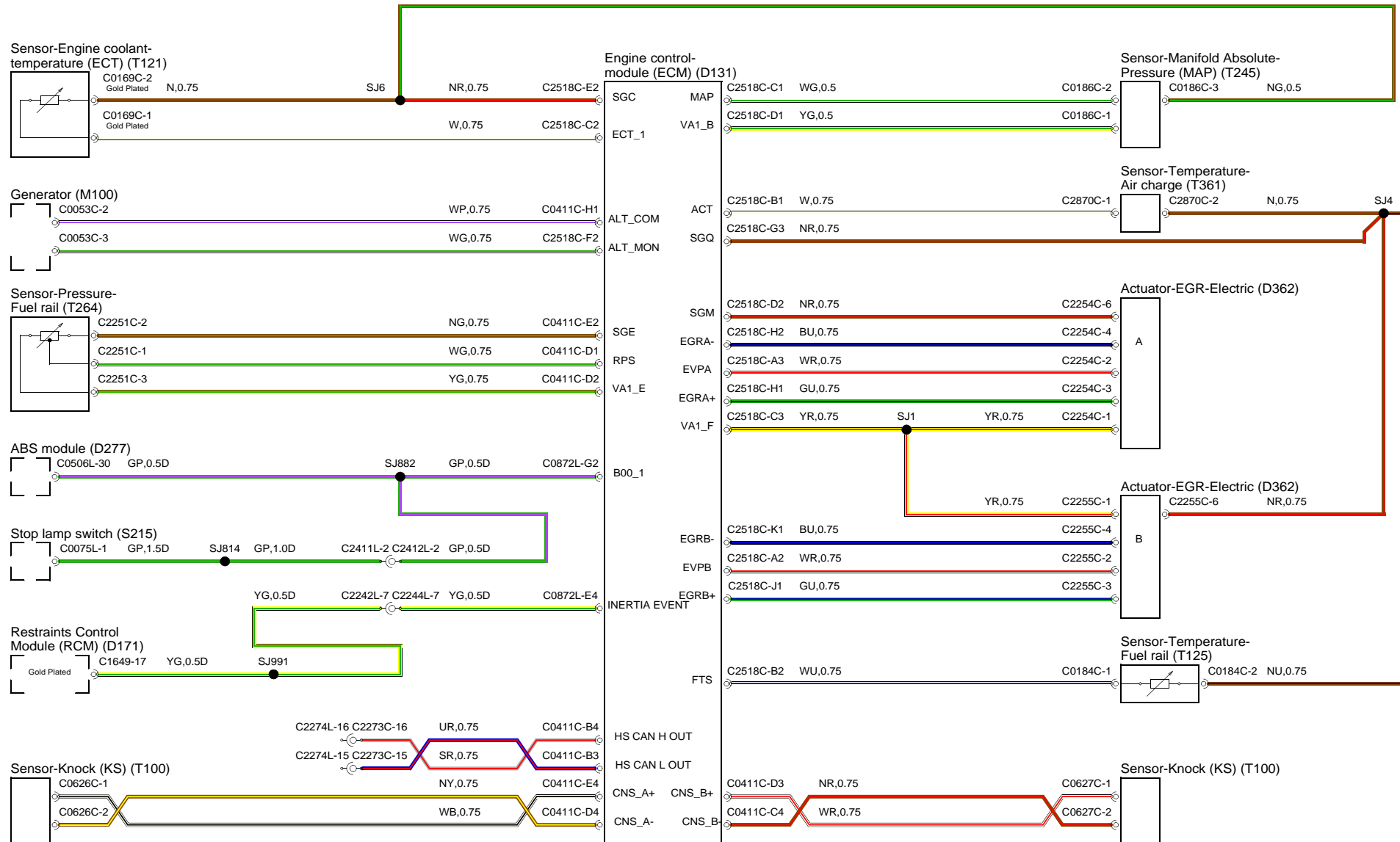


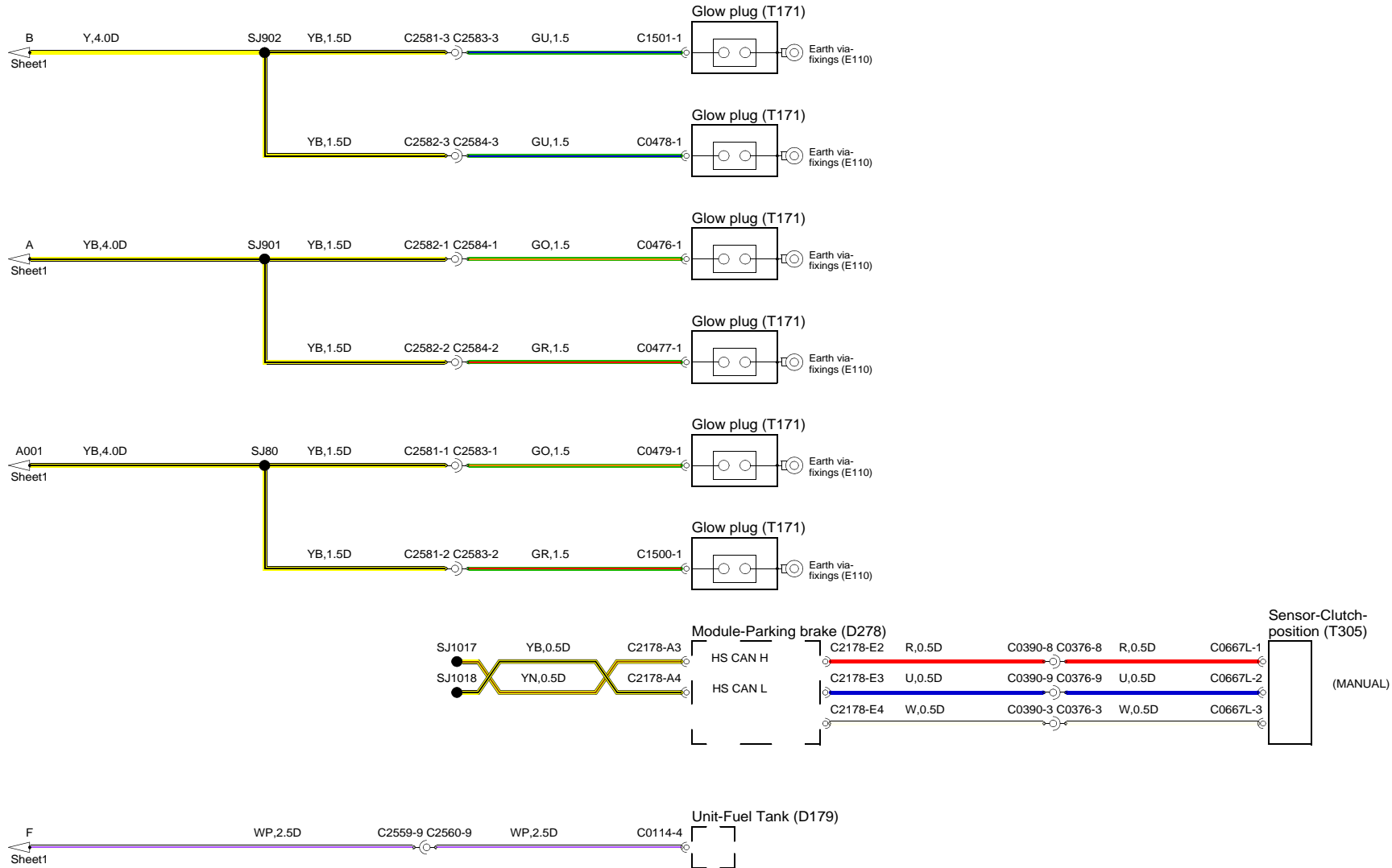


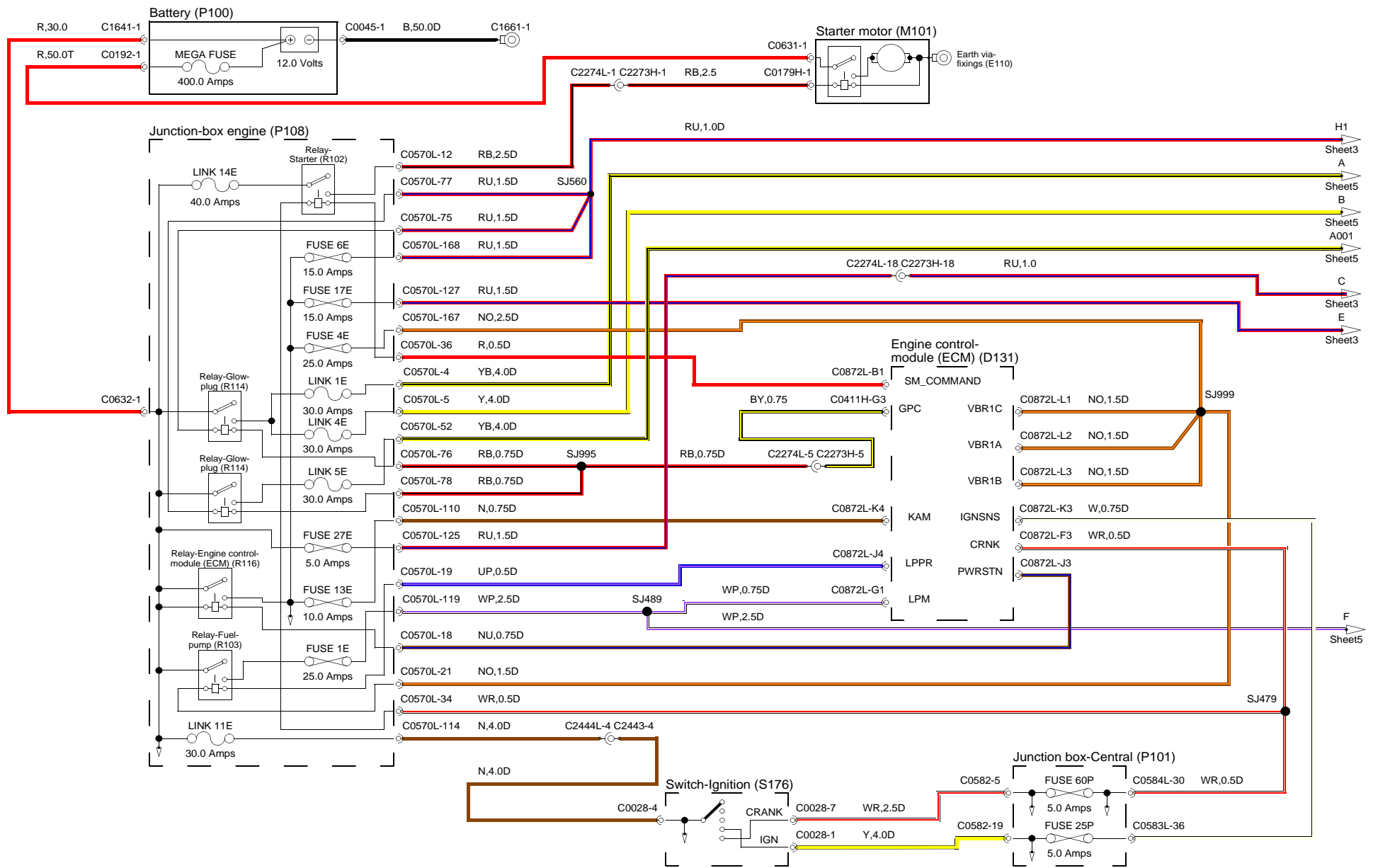


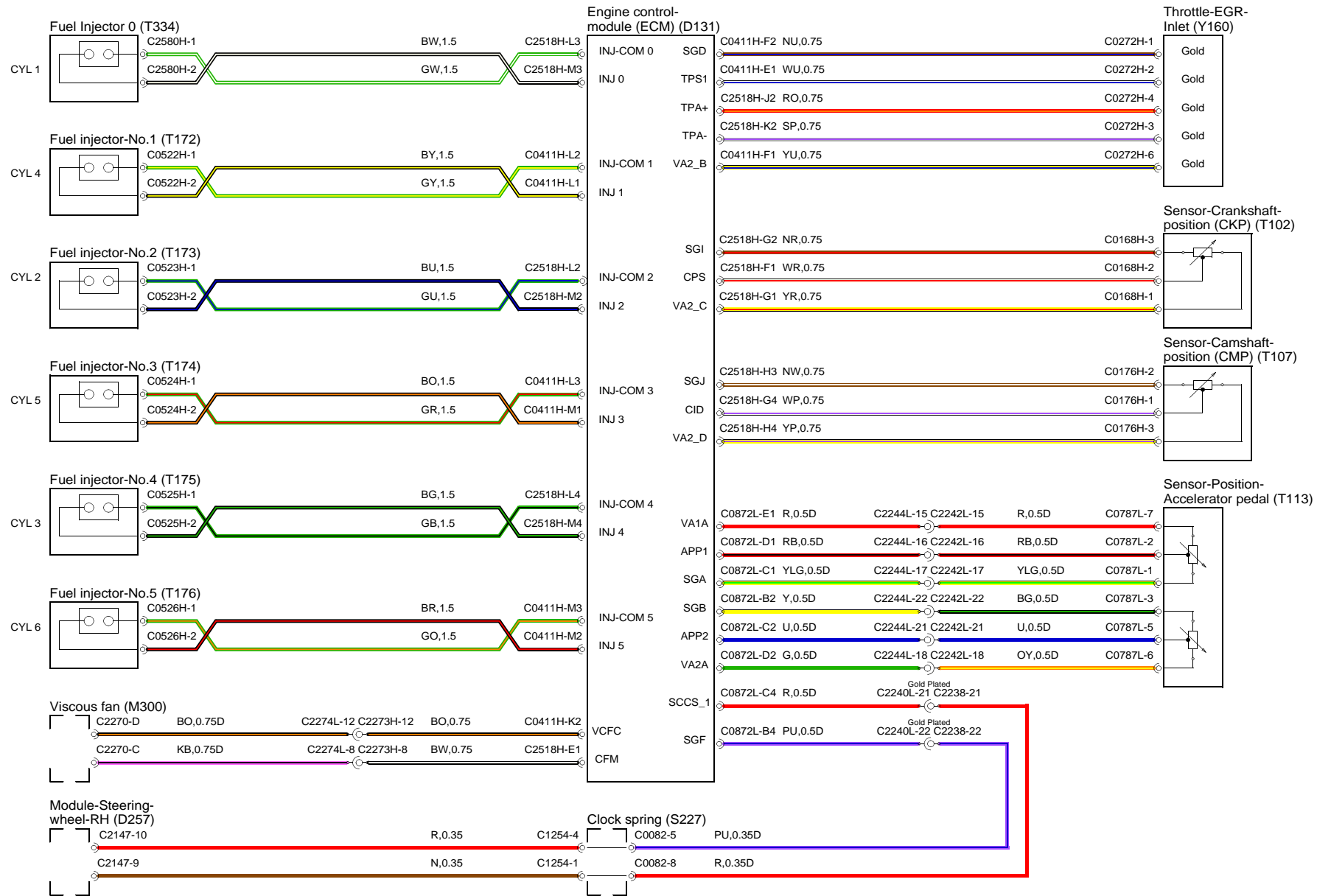


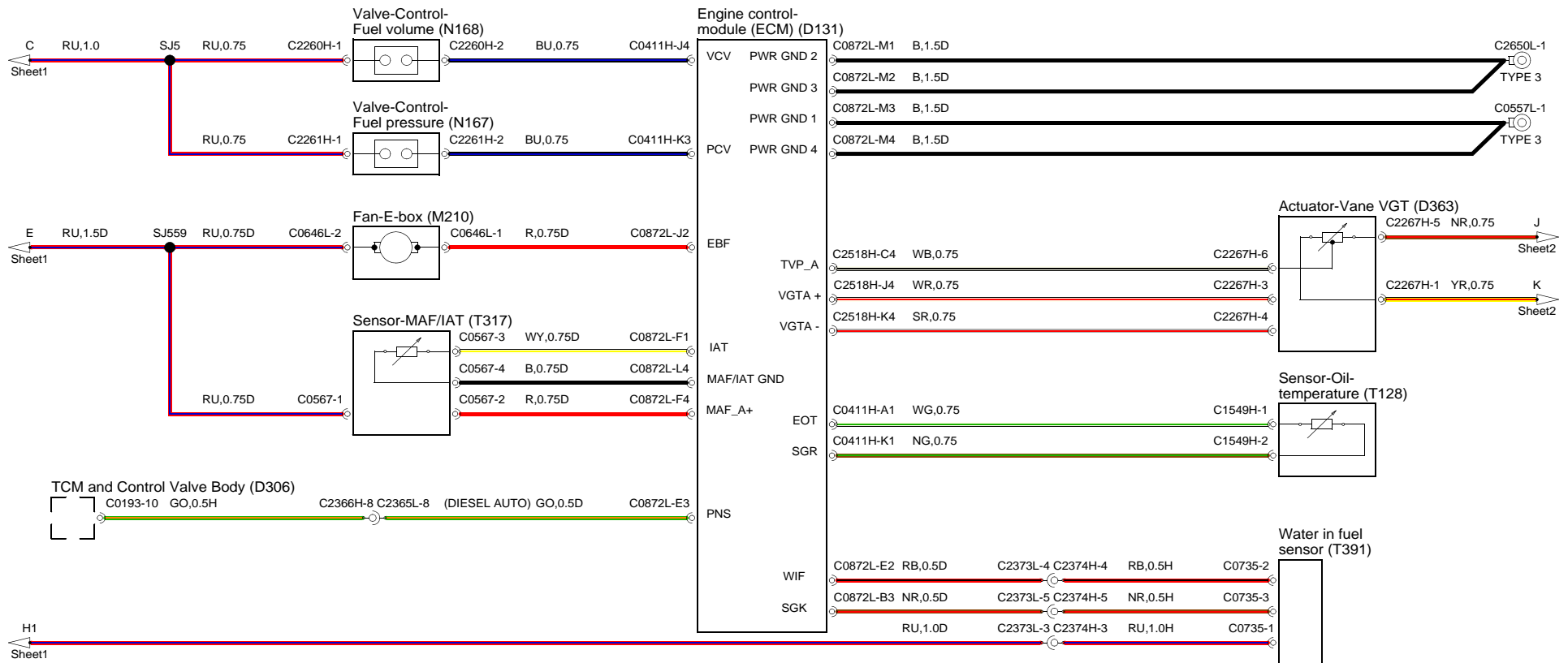


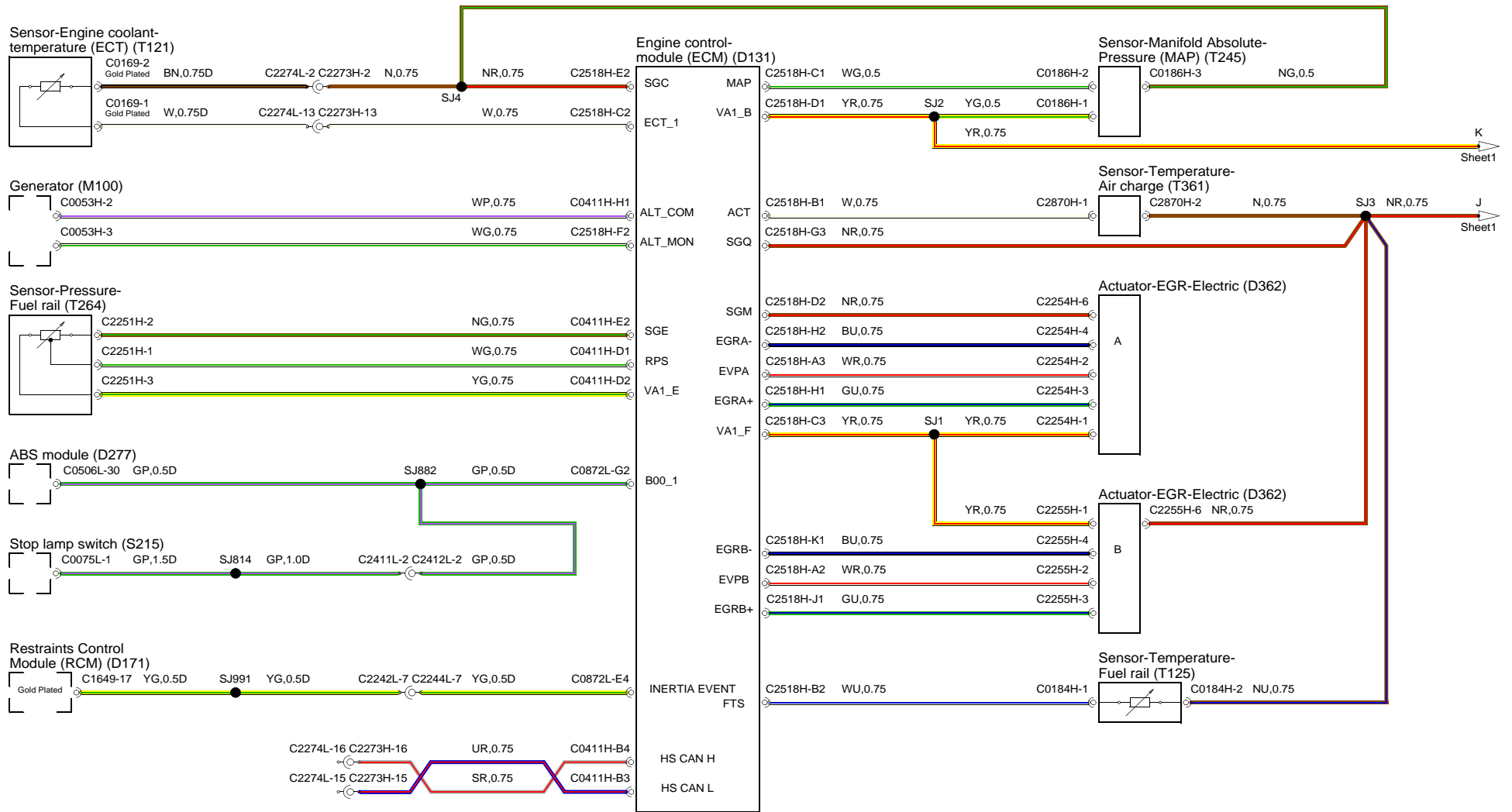


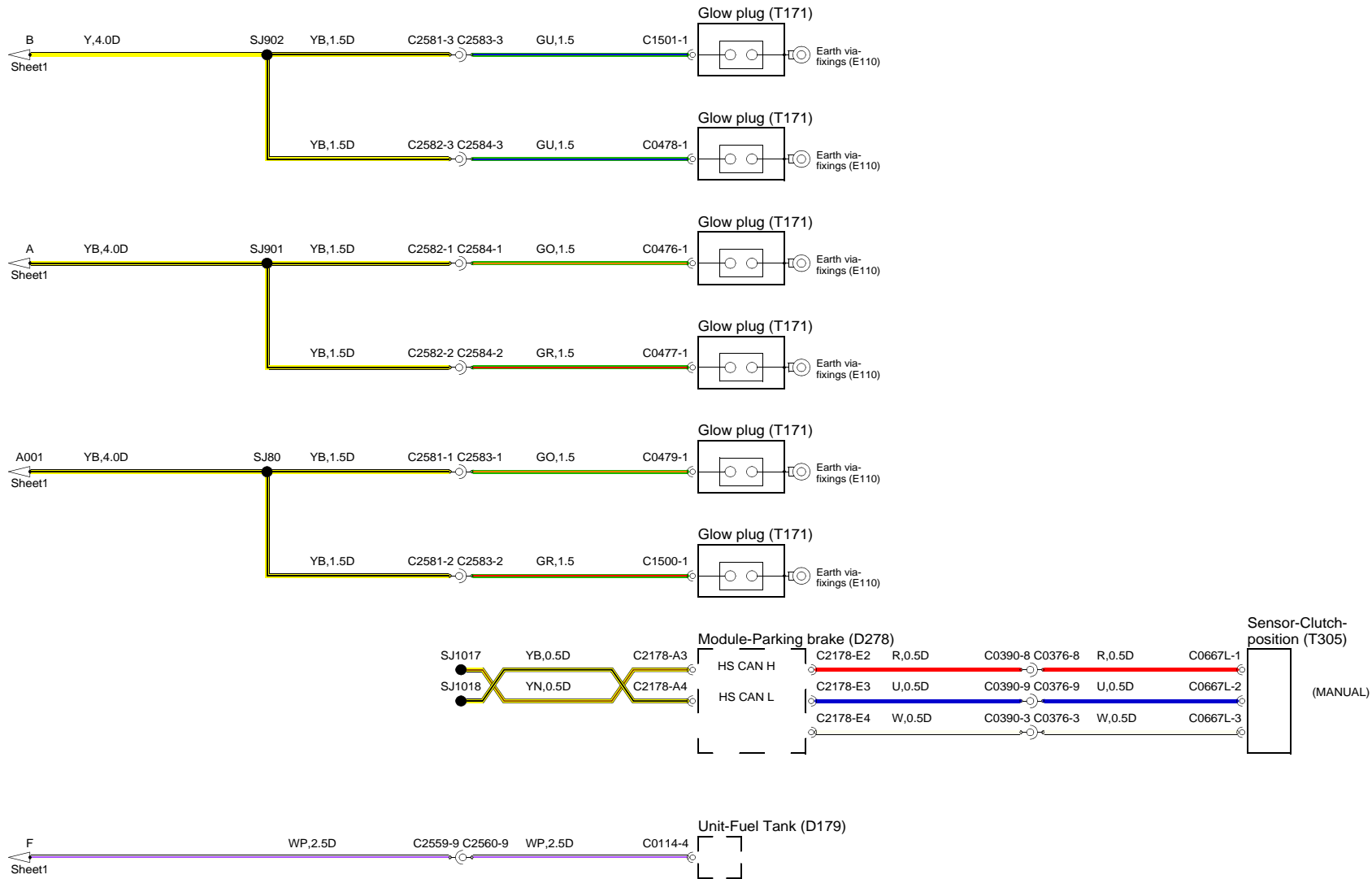


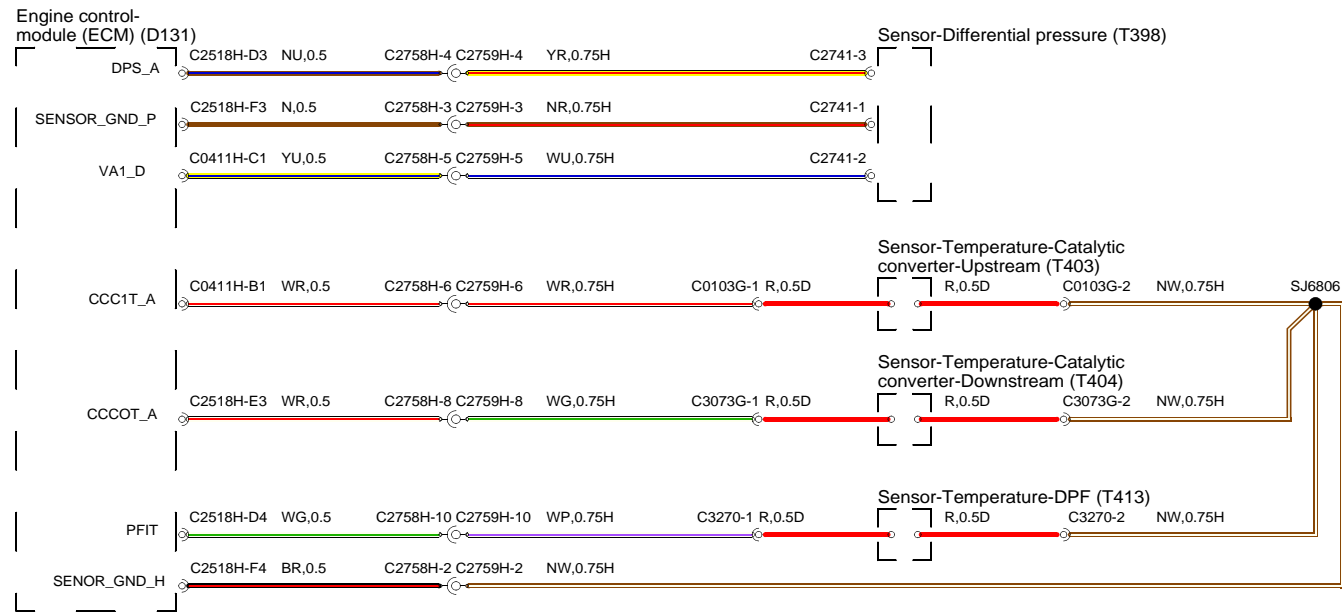




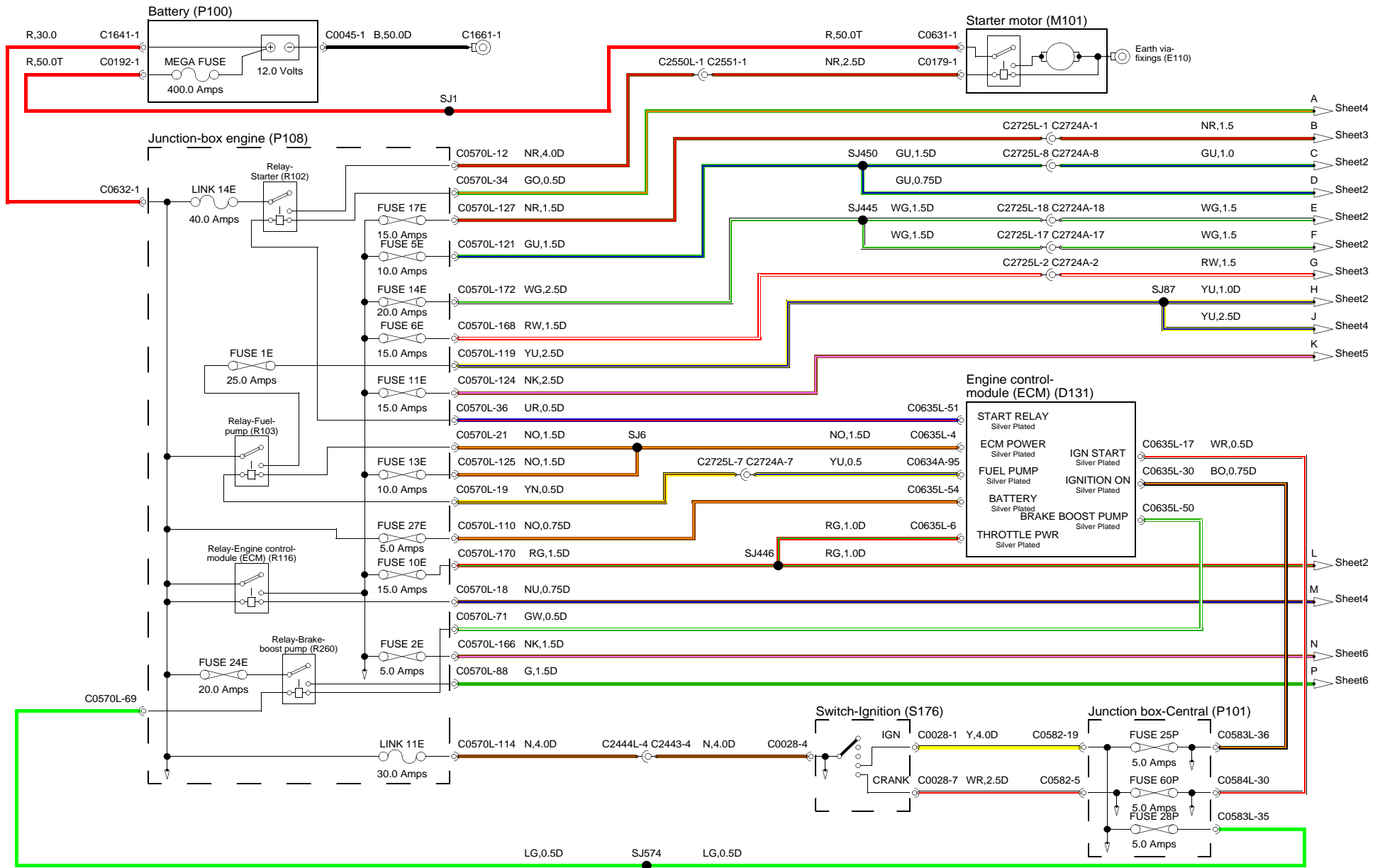


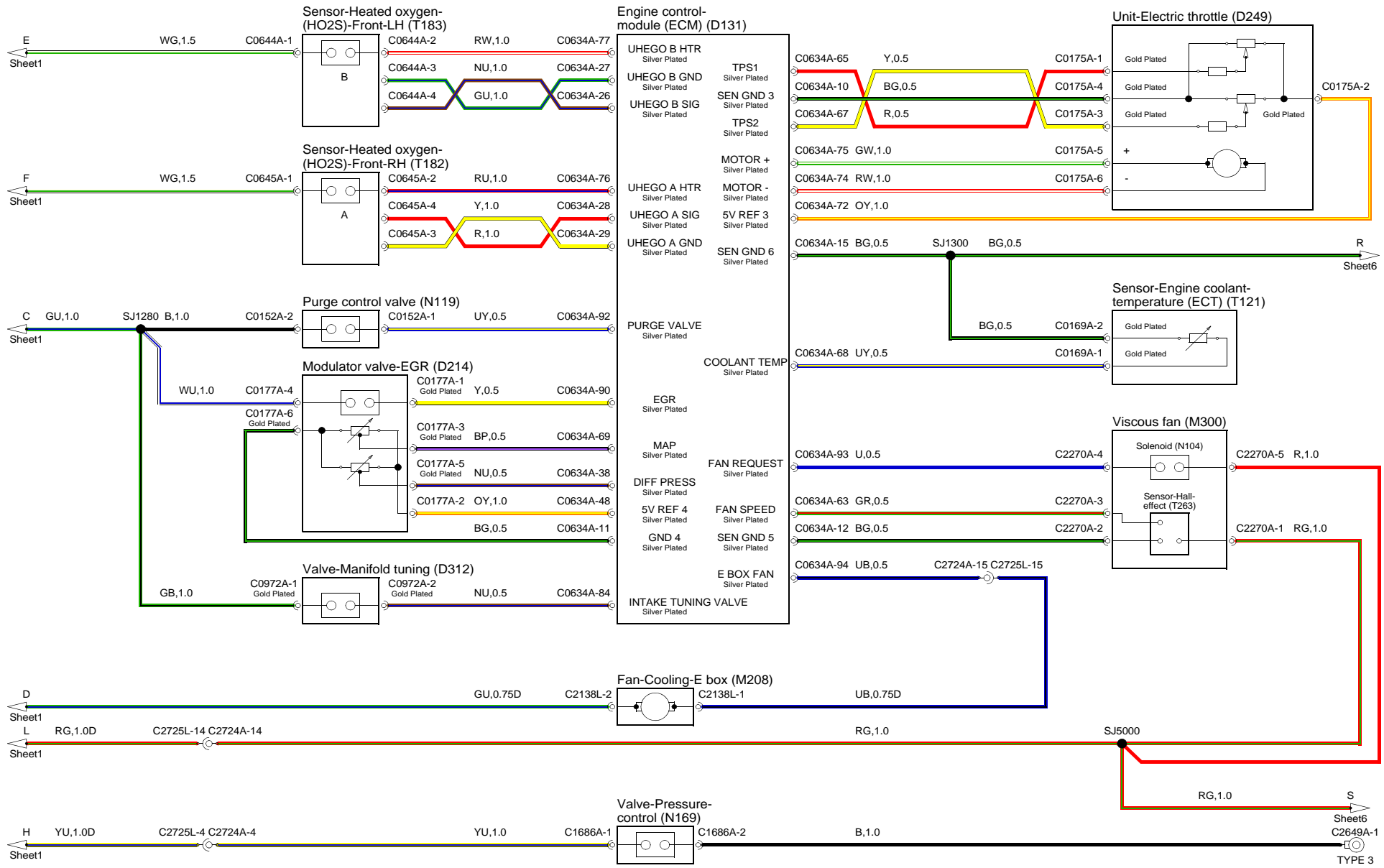


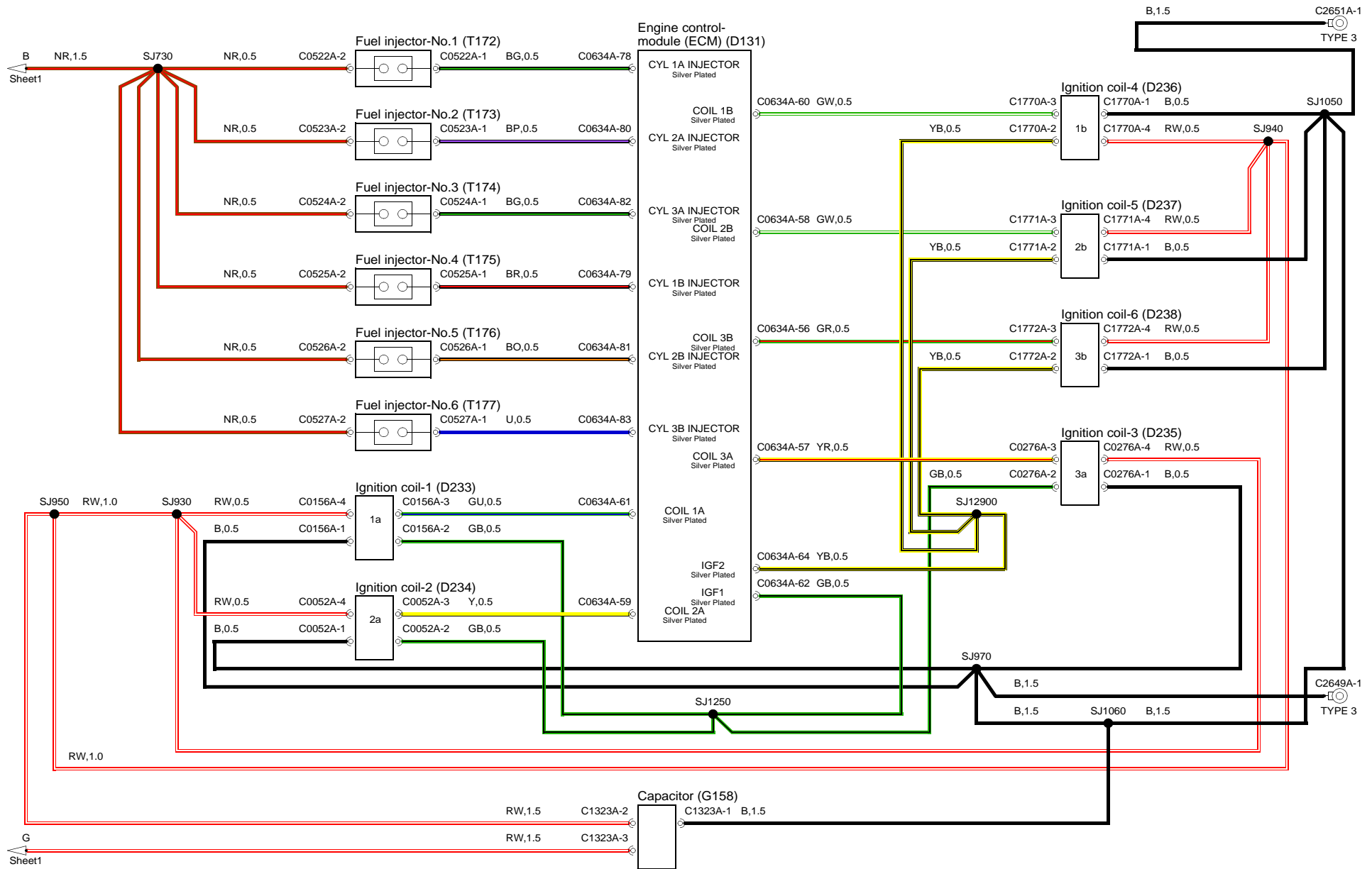


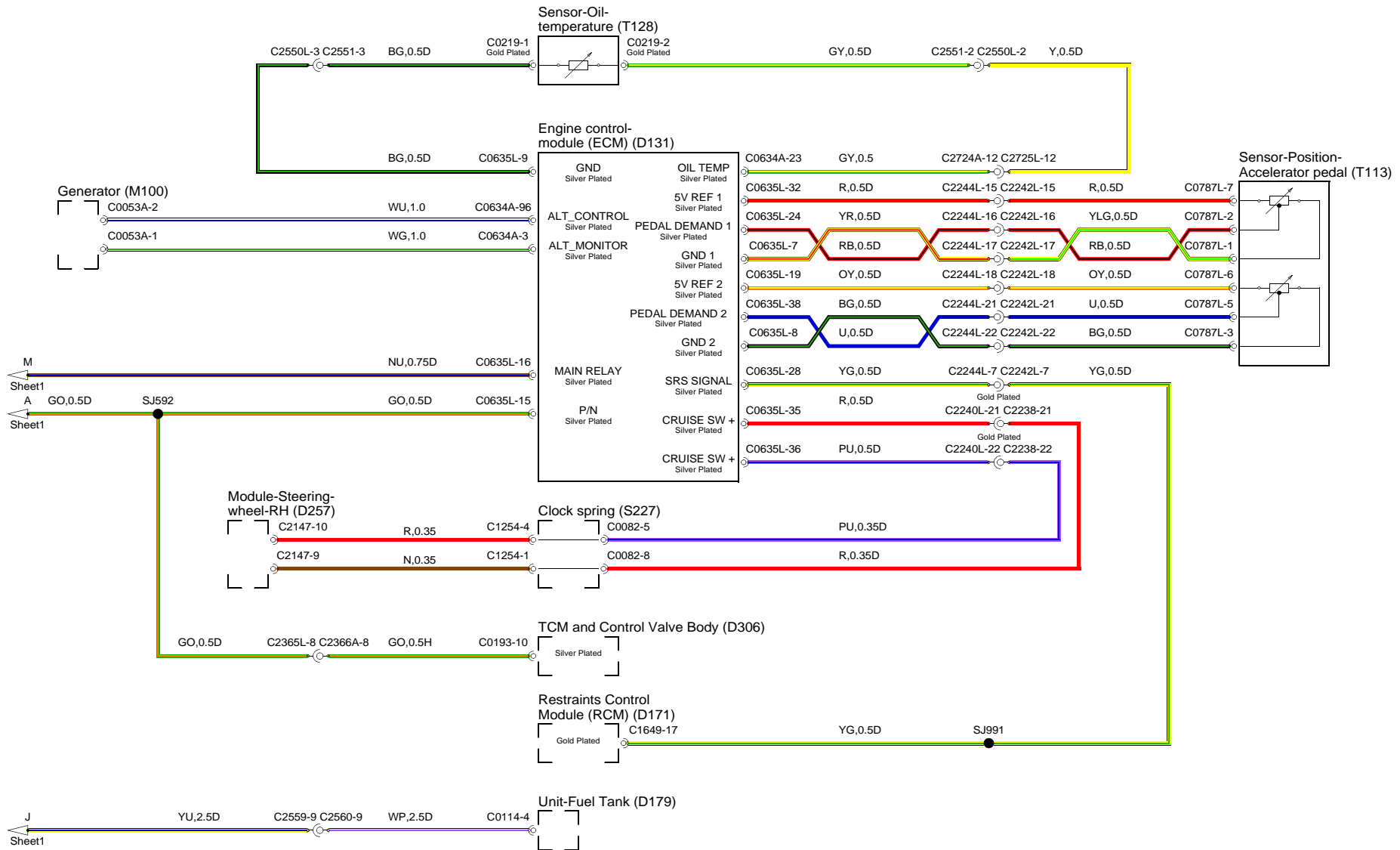


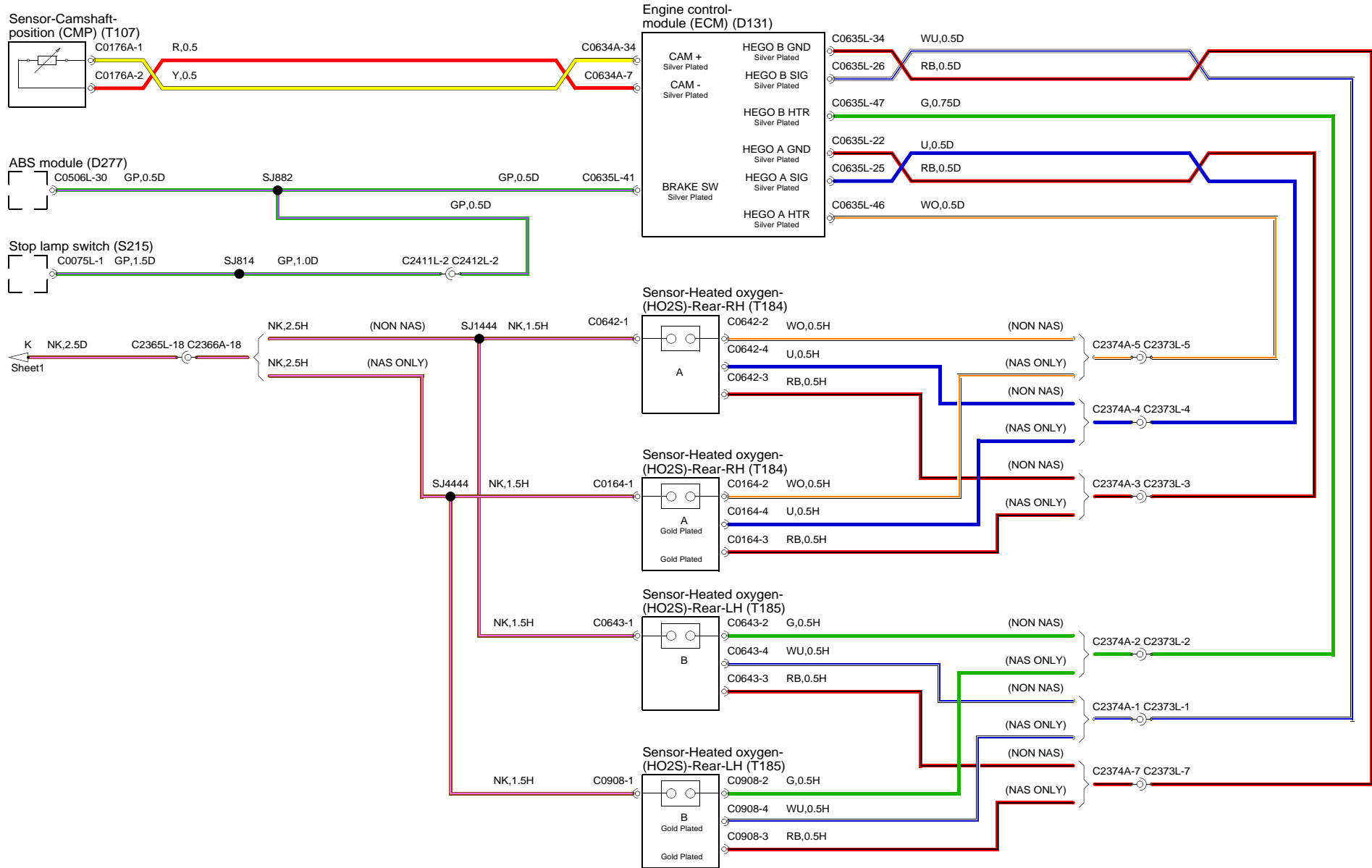


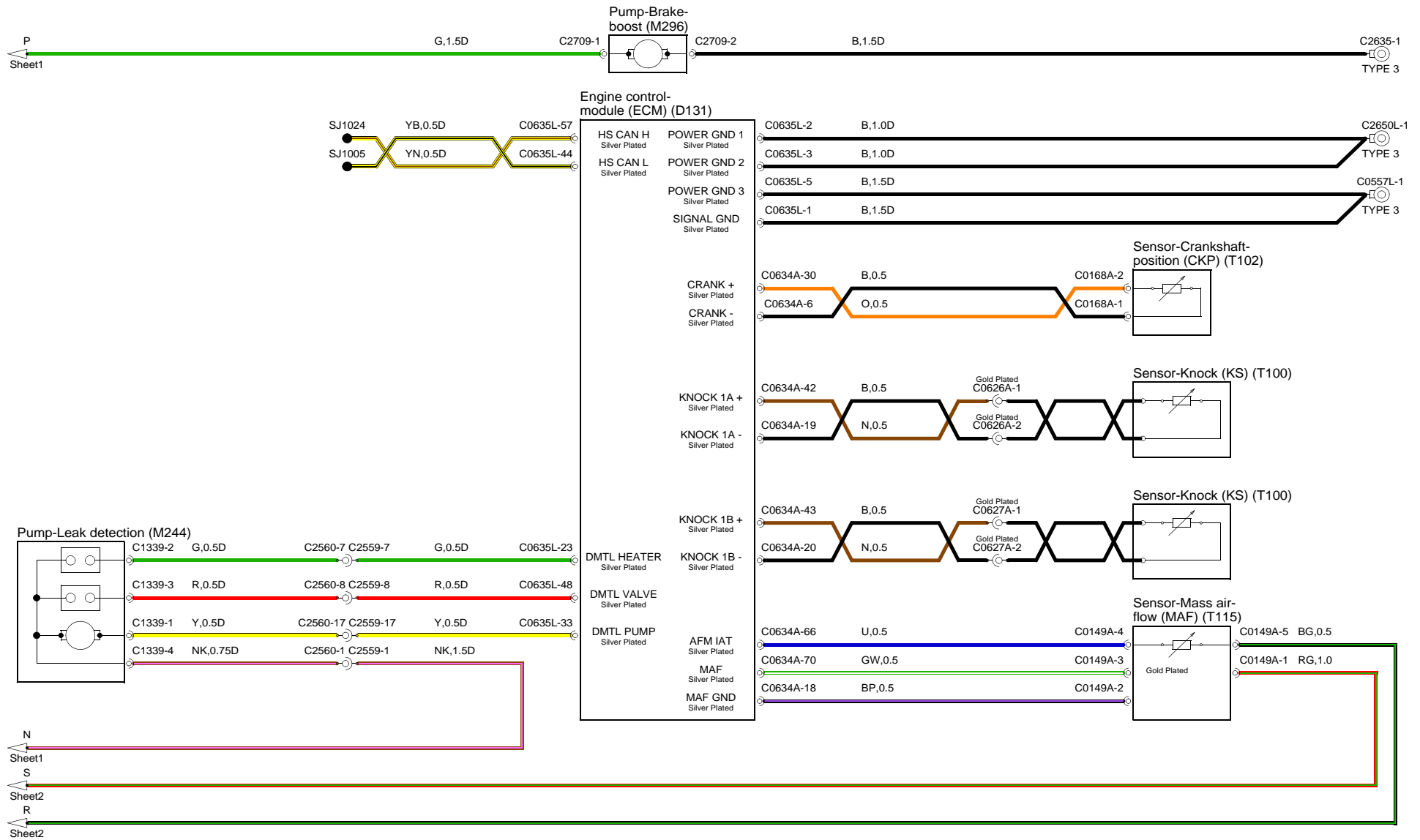


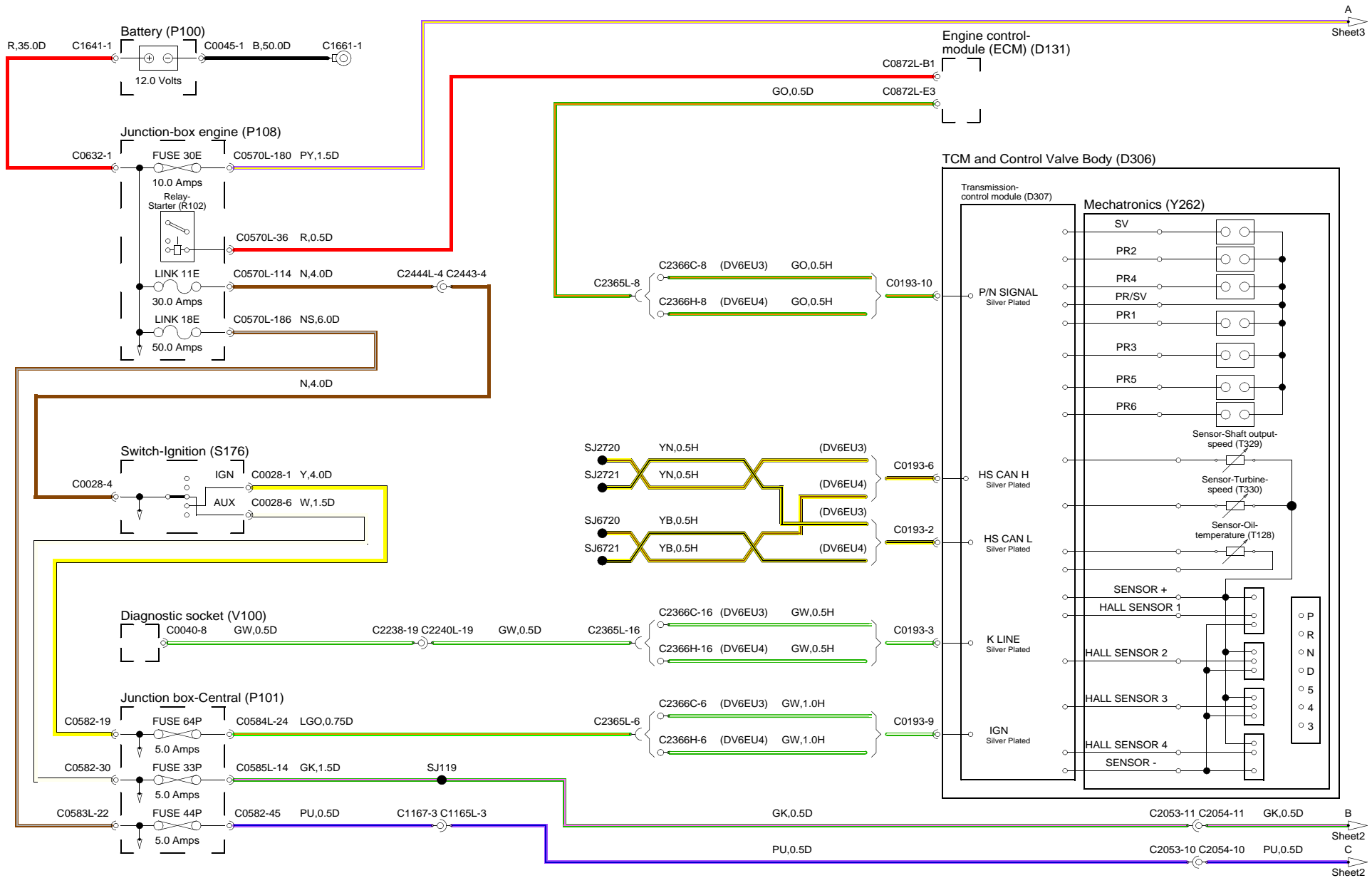






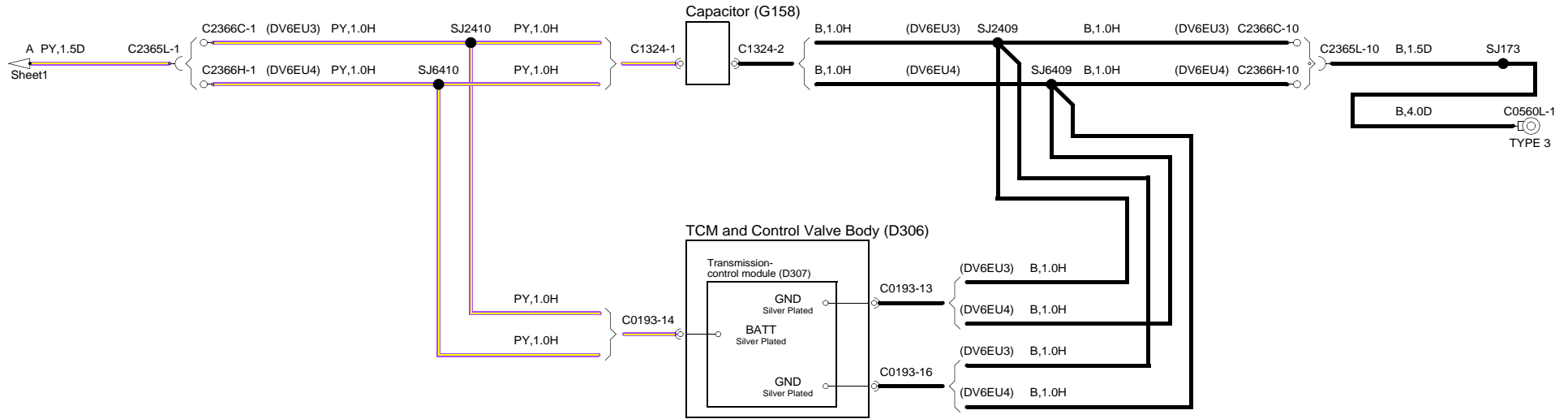


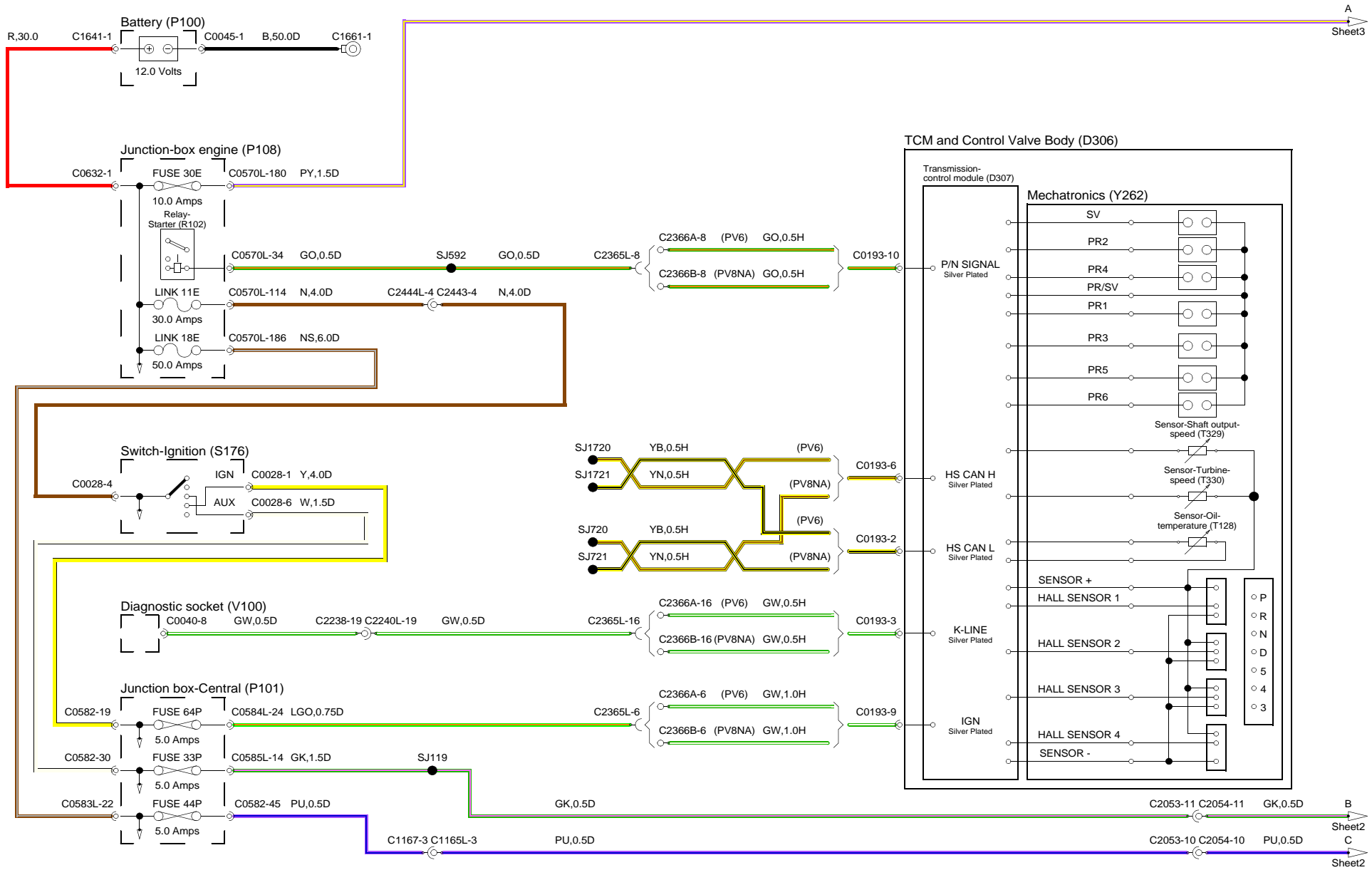


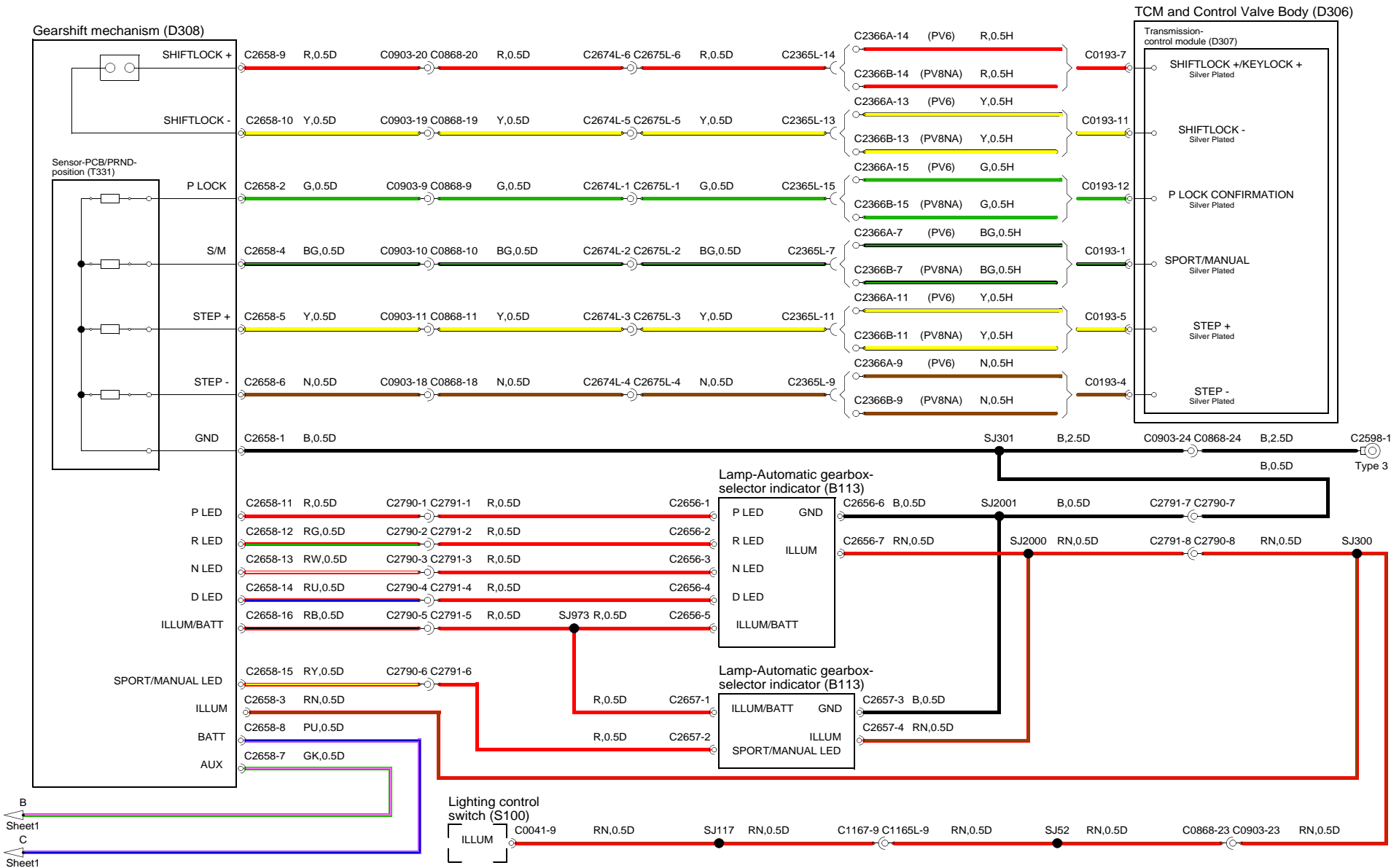


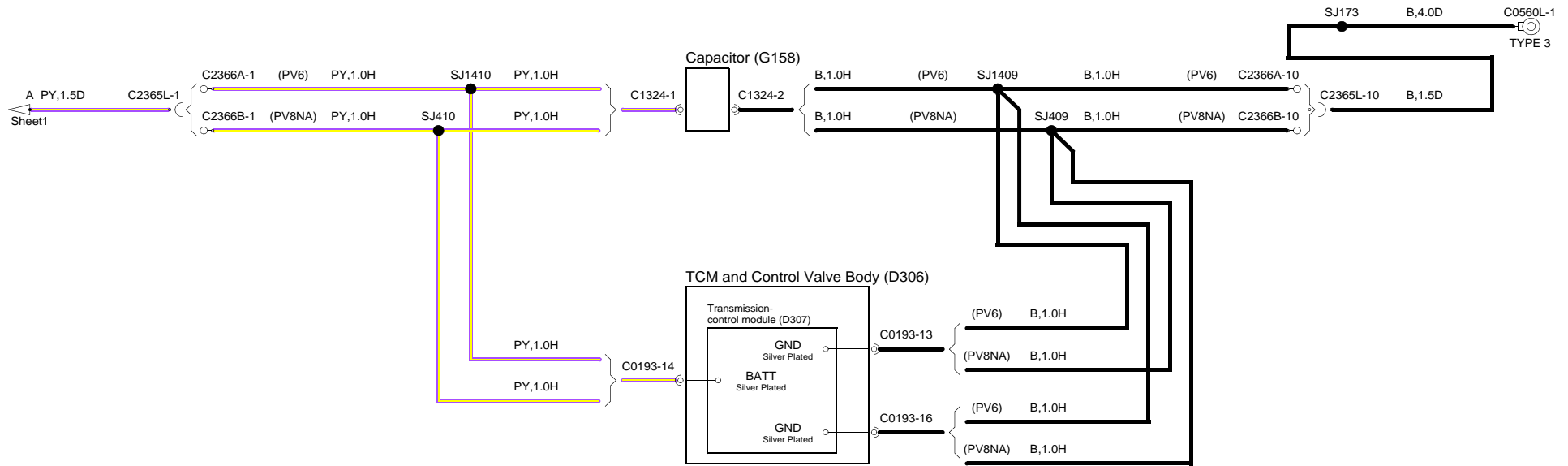


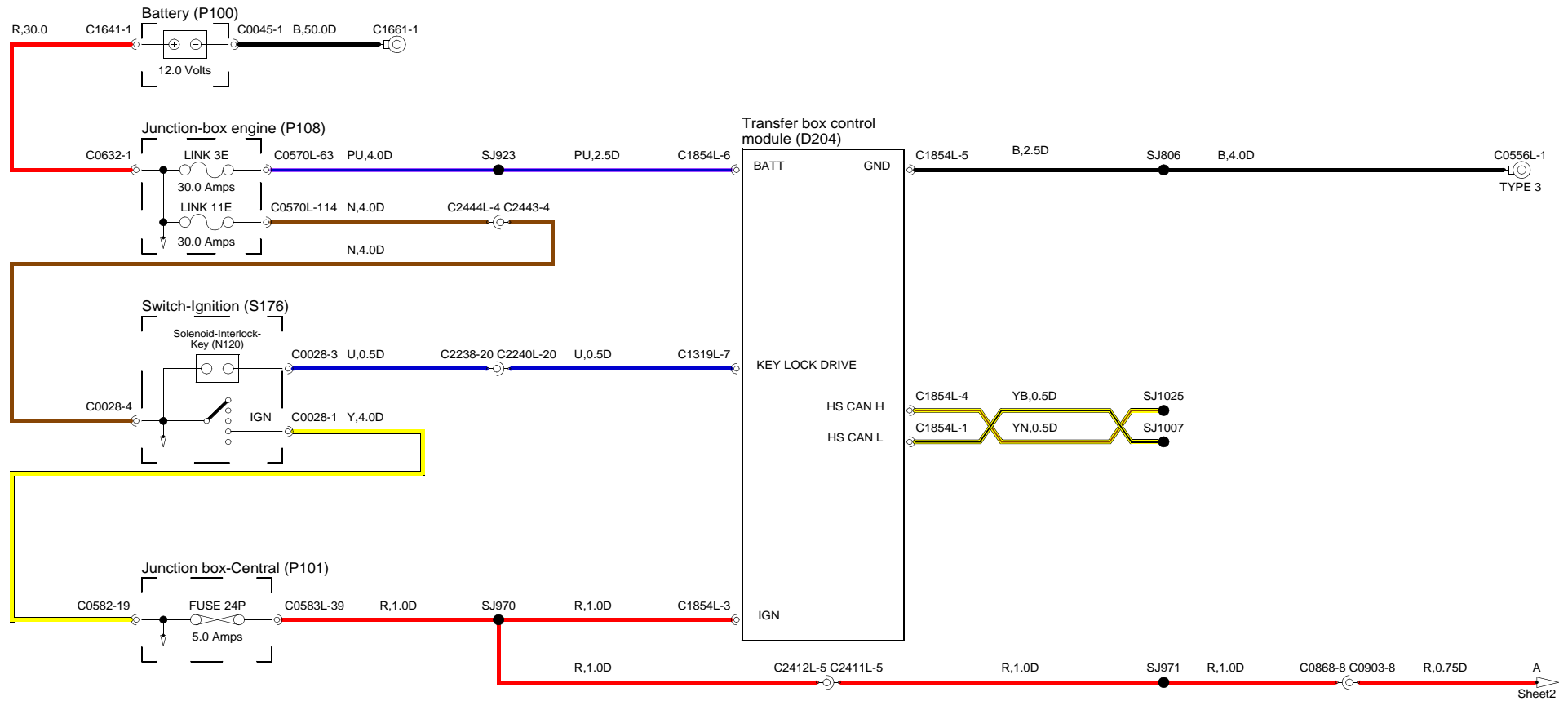


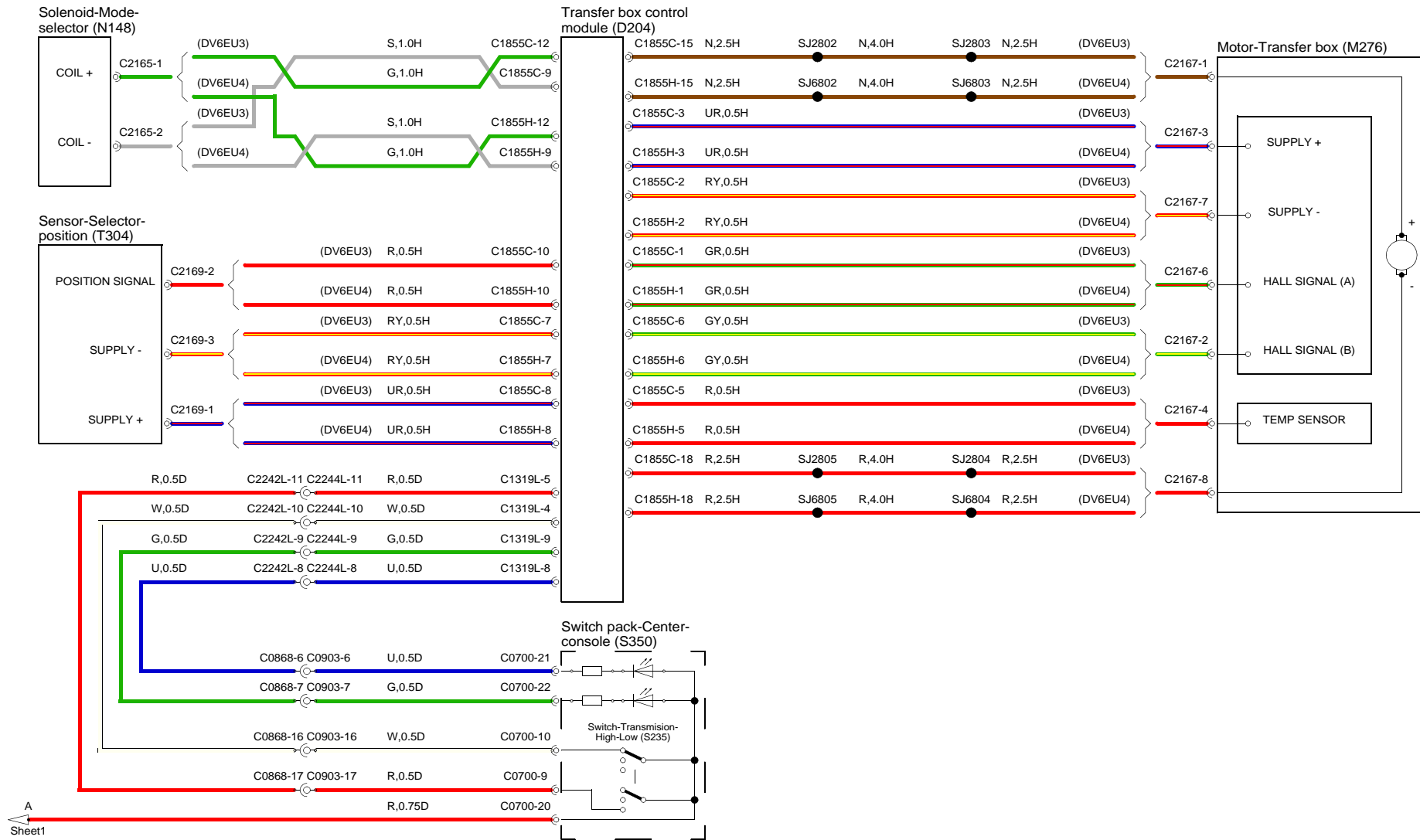




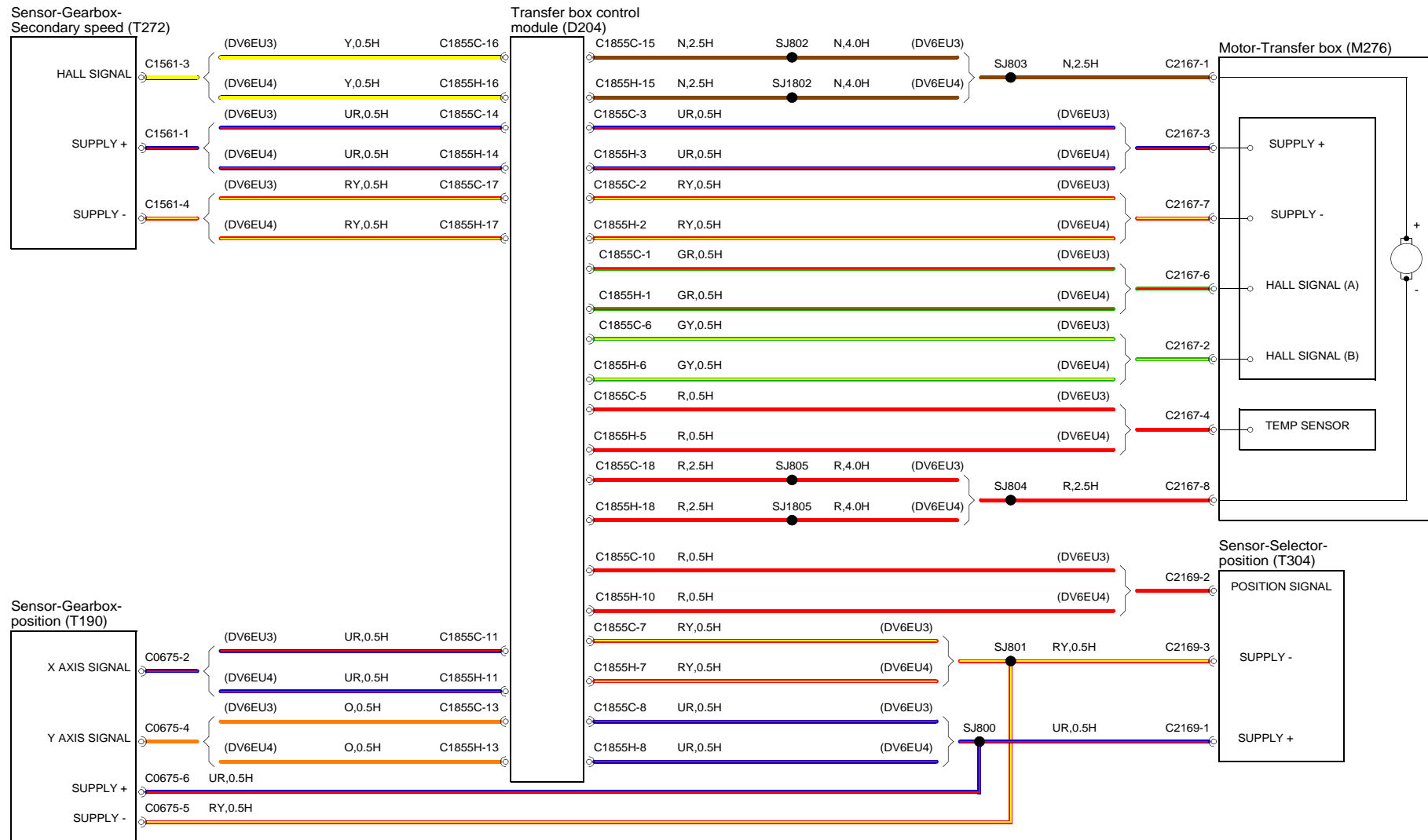




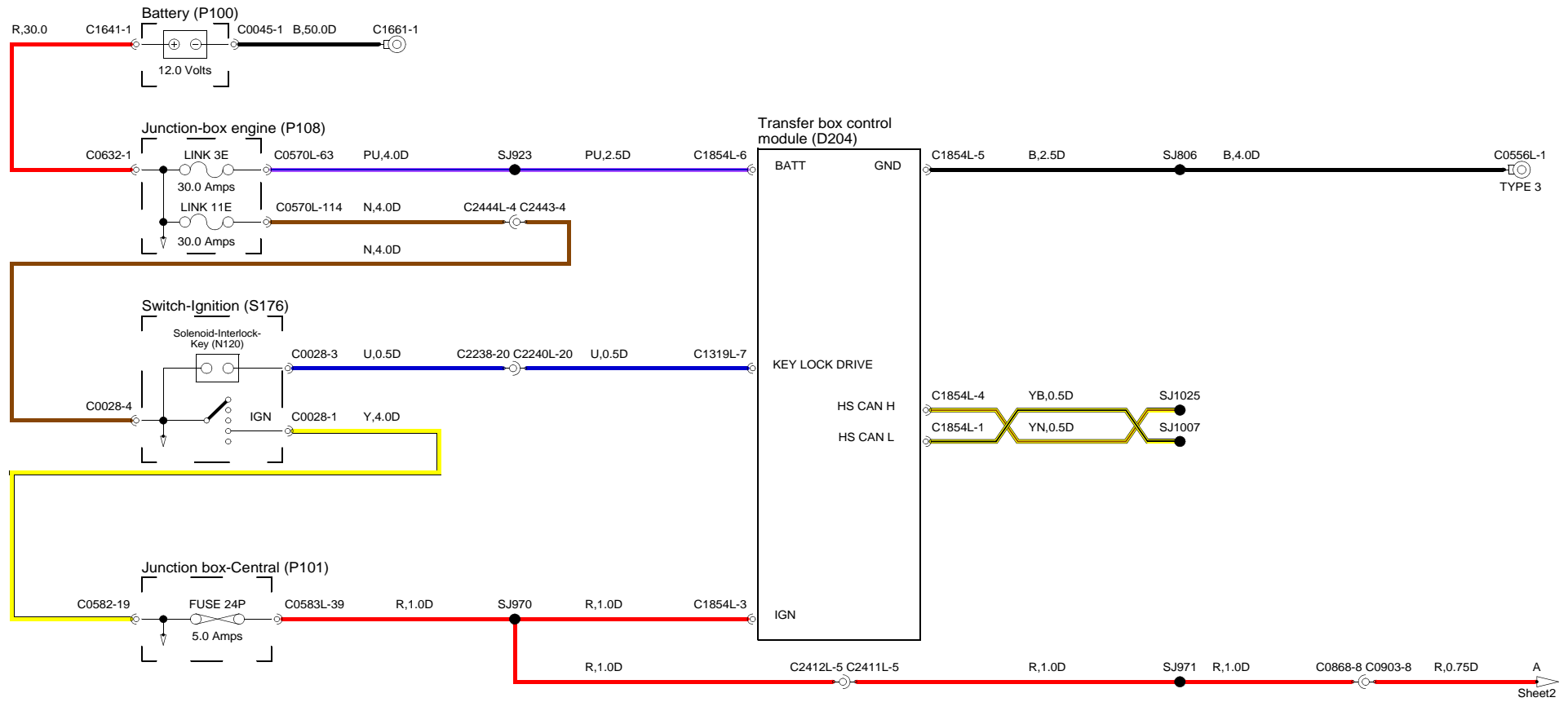




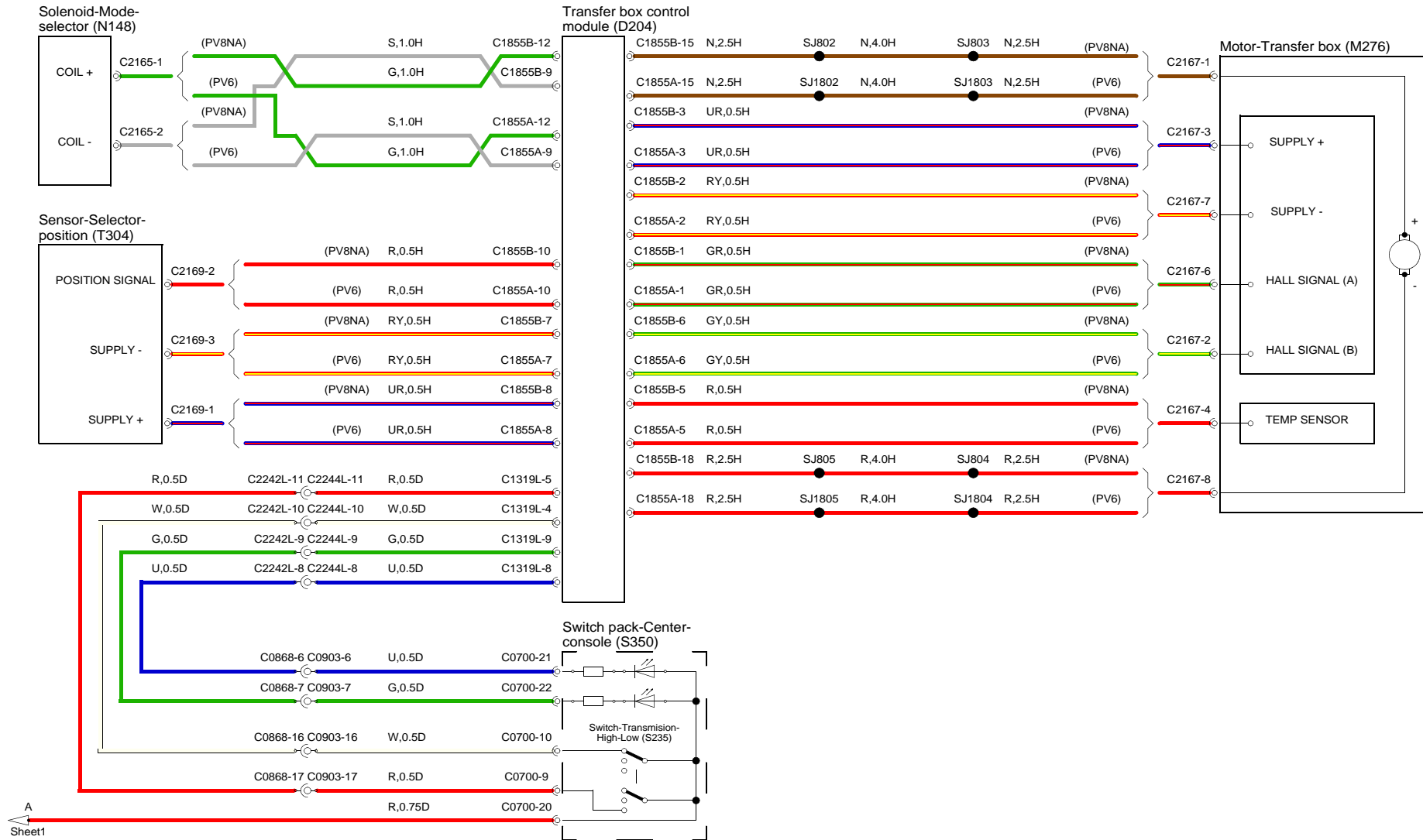
AUTOMATIC TRANSMISSION



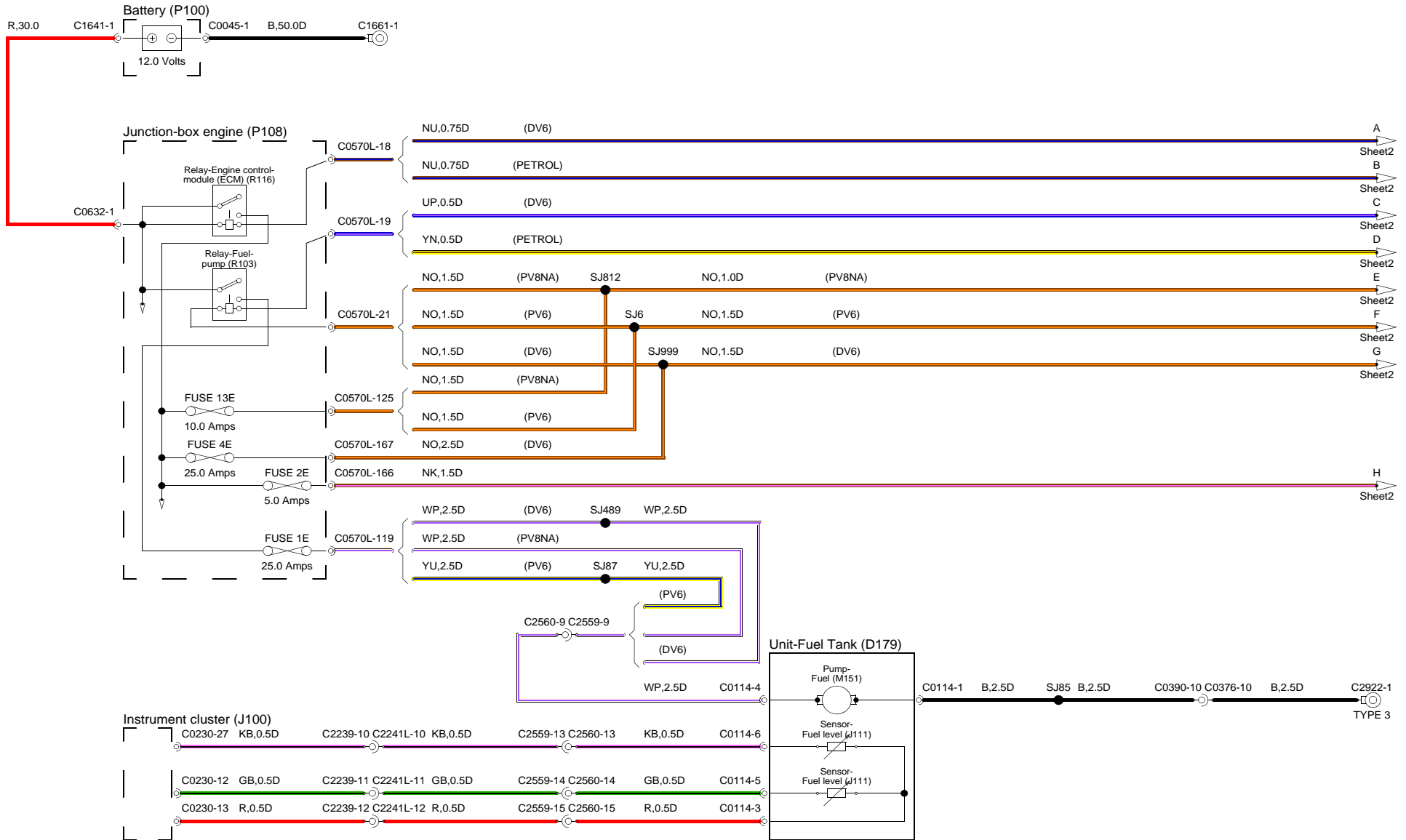
MANUAL TRANSMISSION



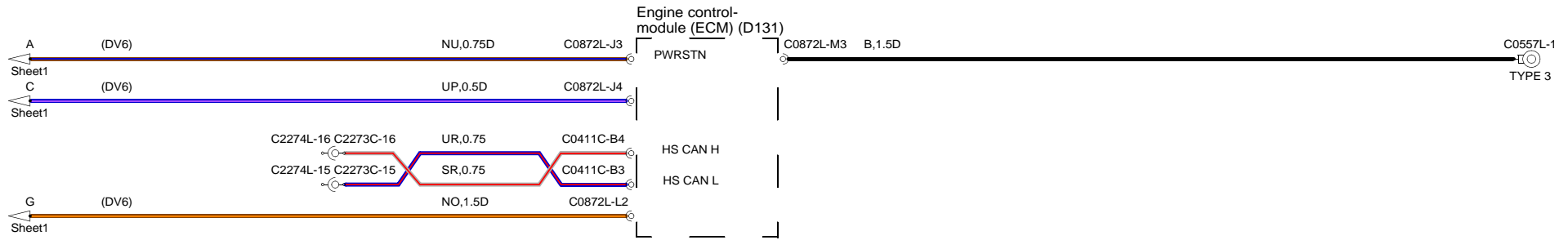
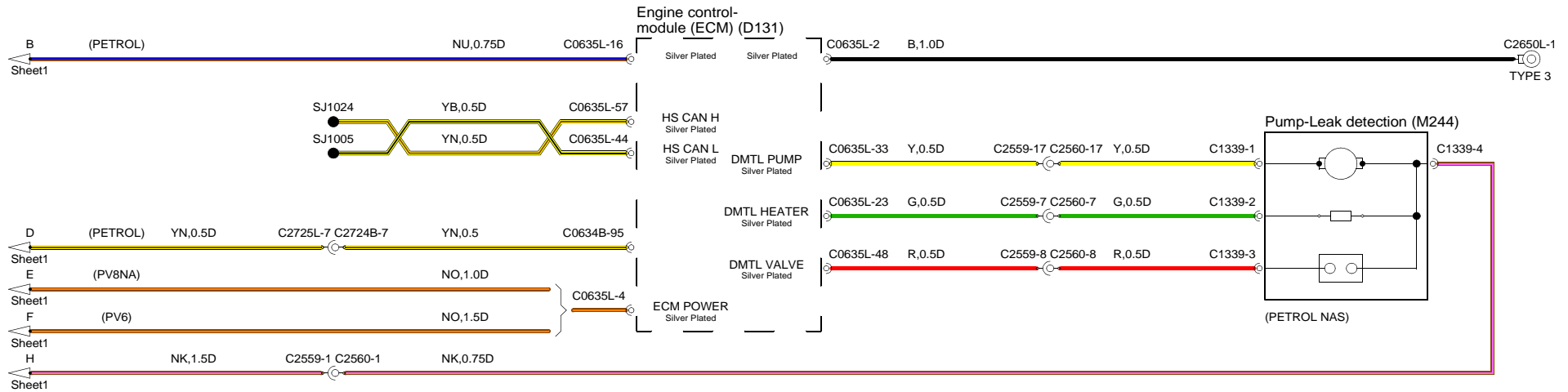


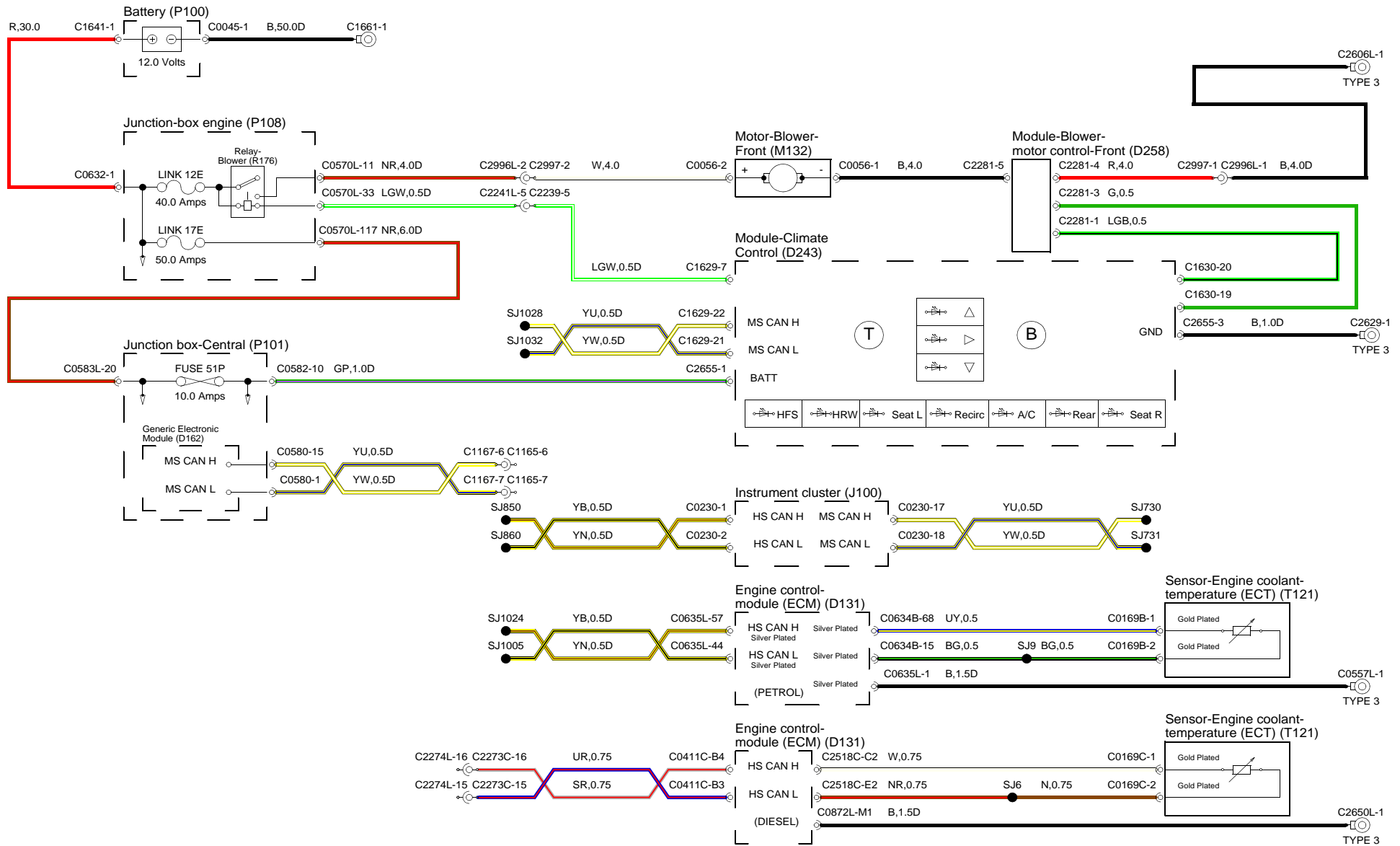


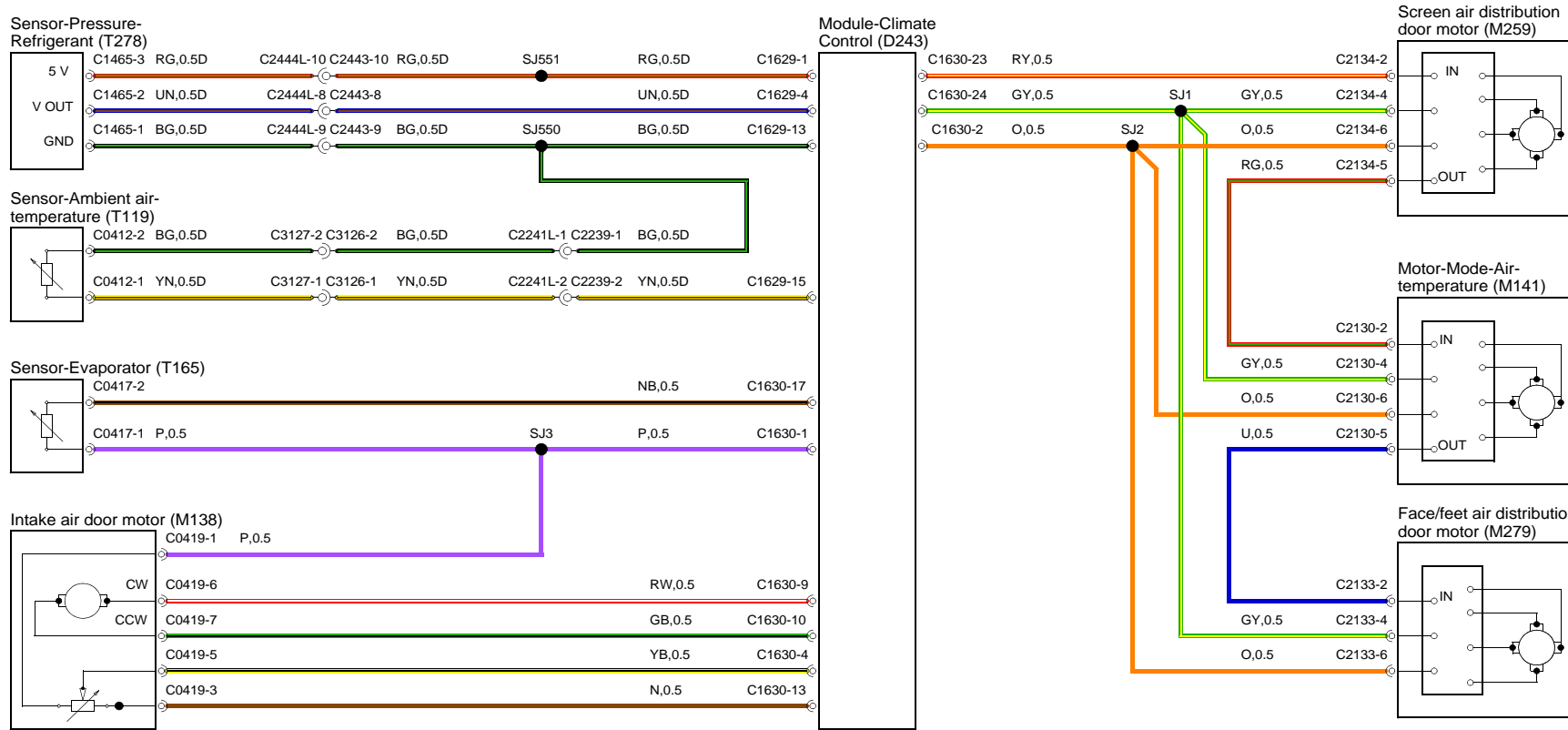
# 310-01 - FUEL TANK AND FUEL LINES

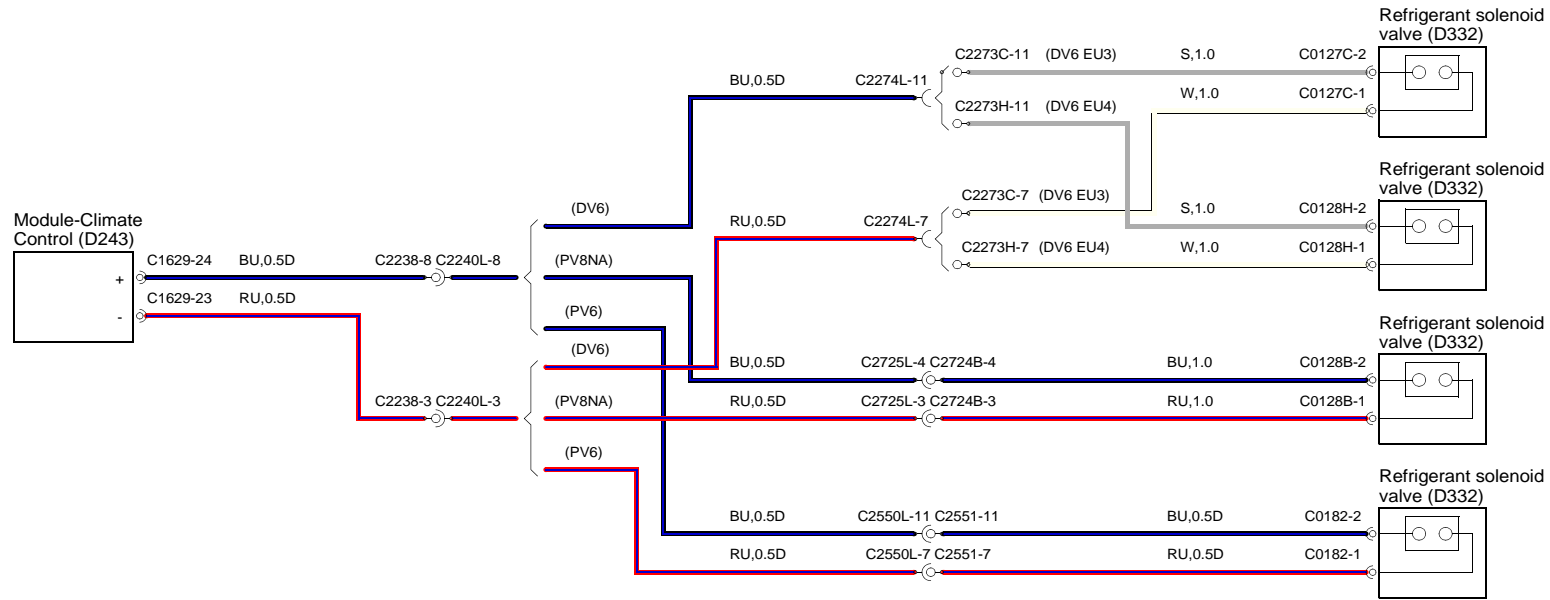


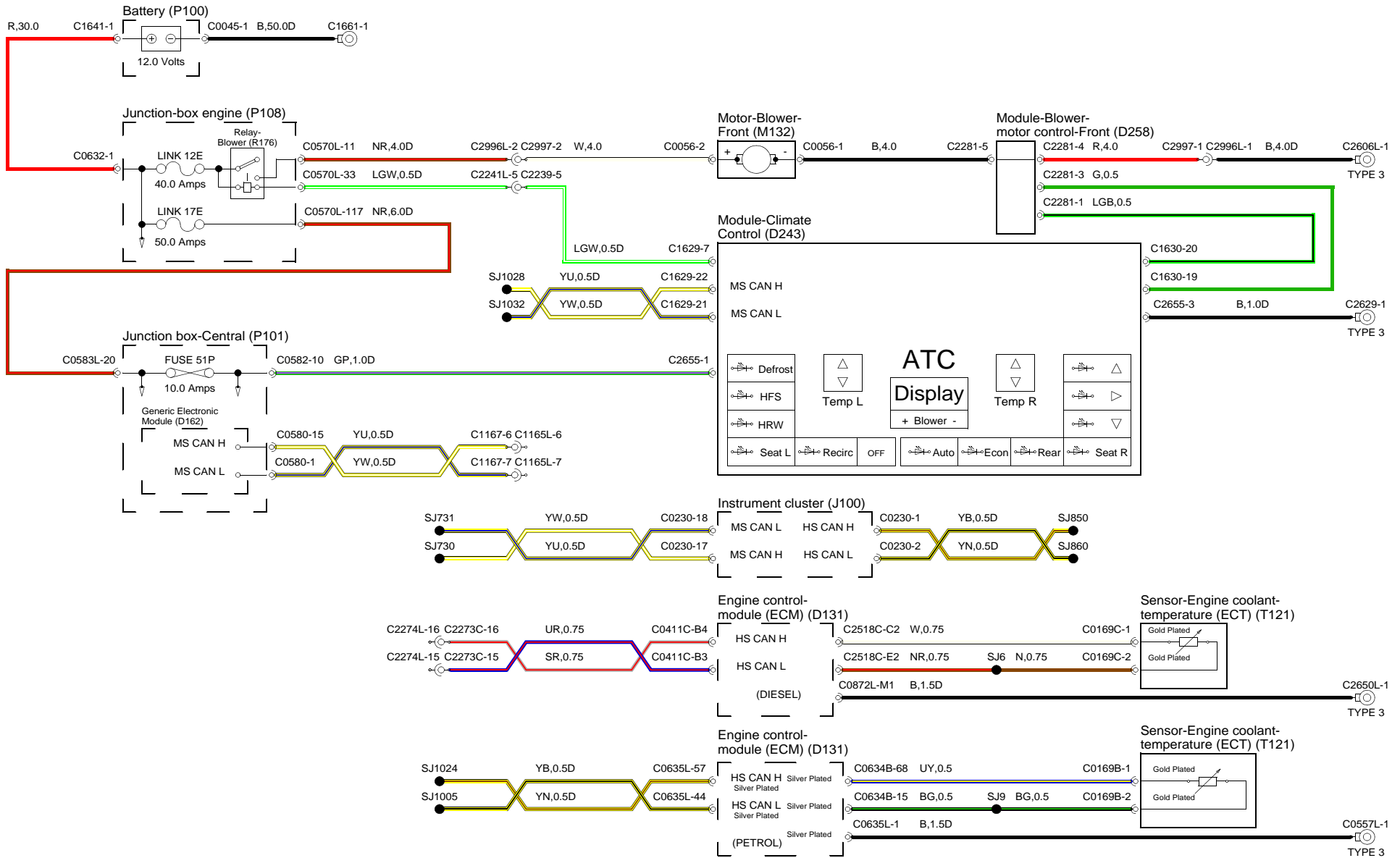
# 310-01 - FUEL TANK AND FUEL LINES

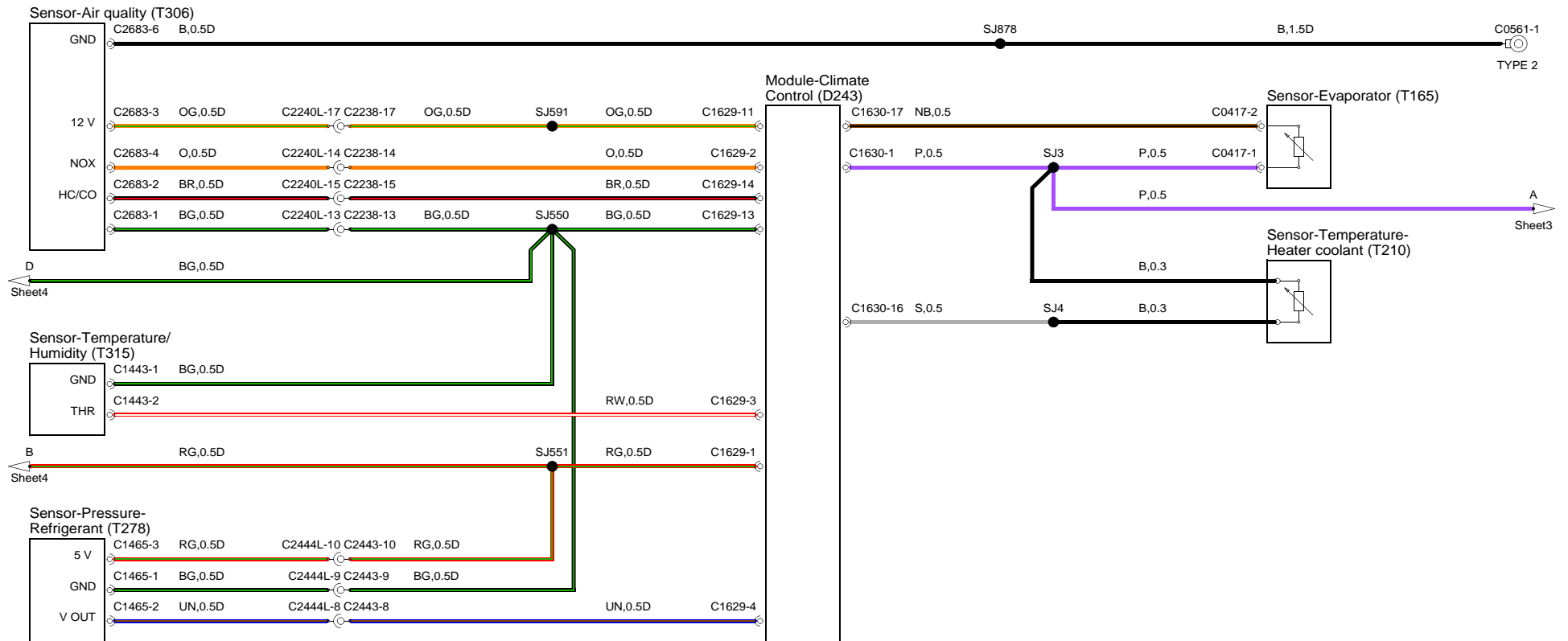




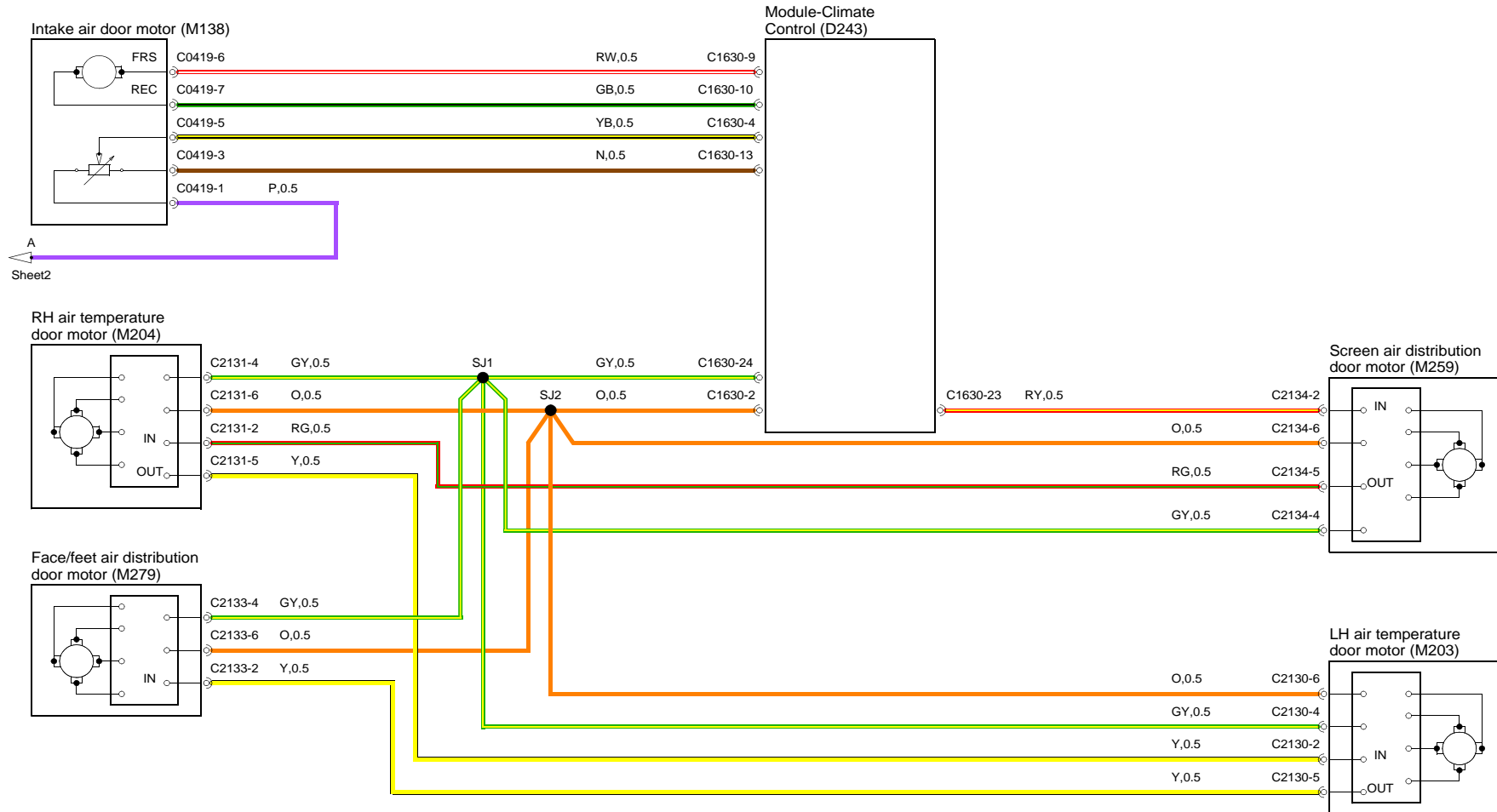


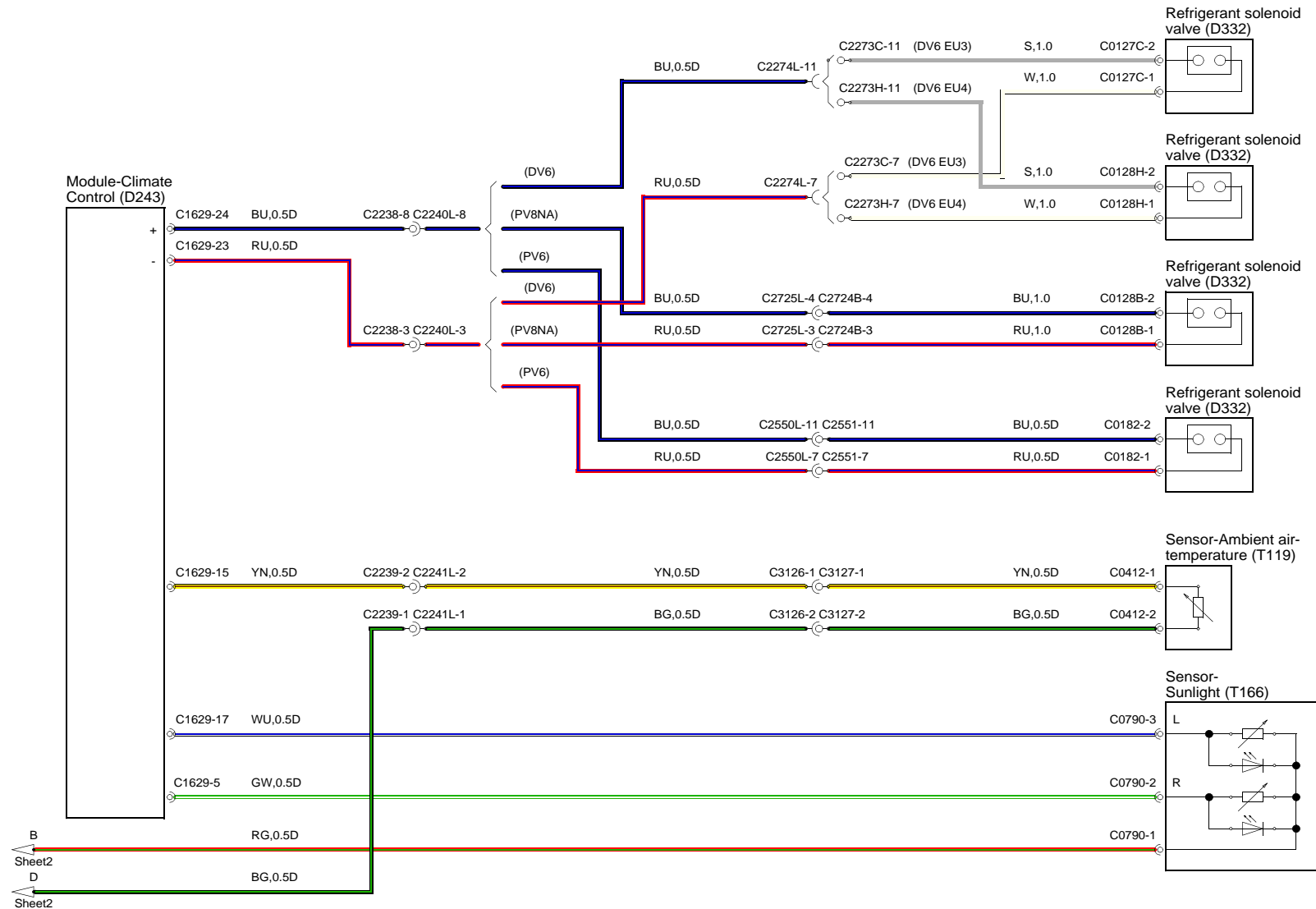


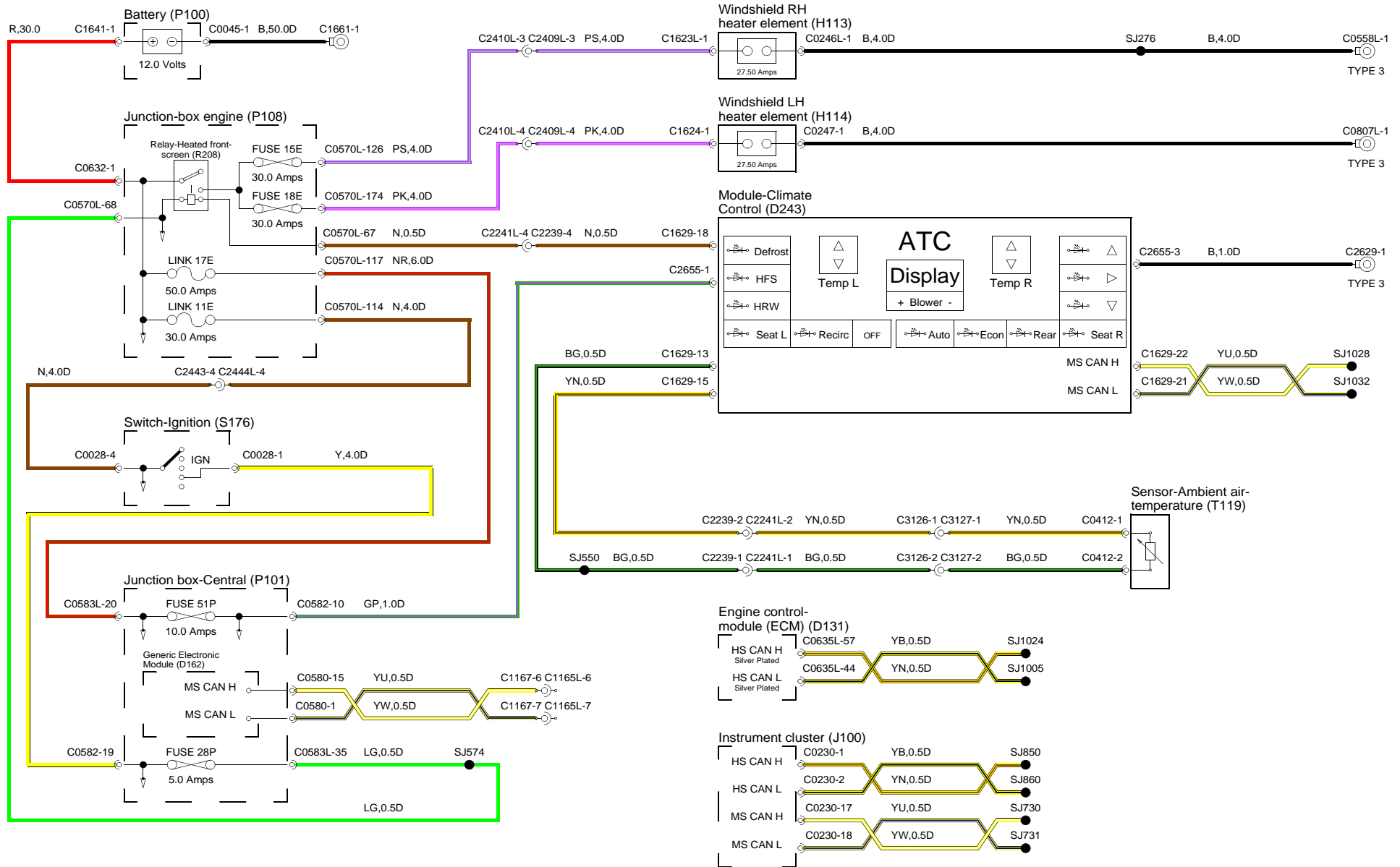


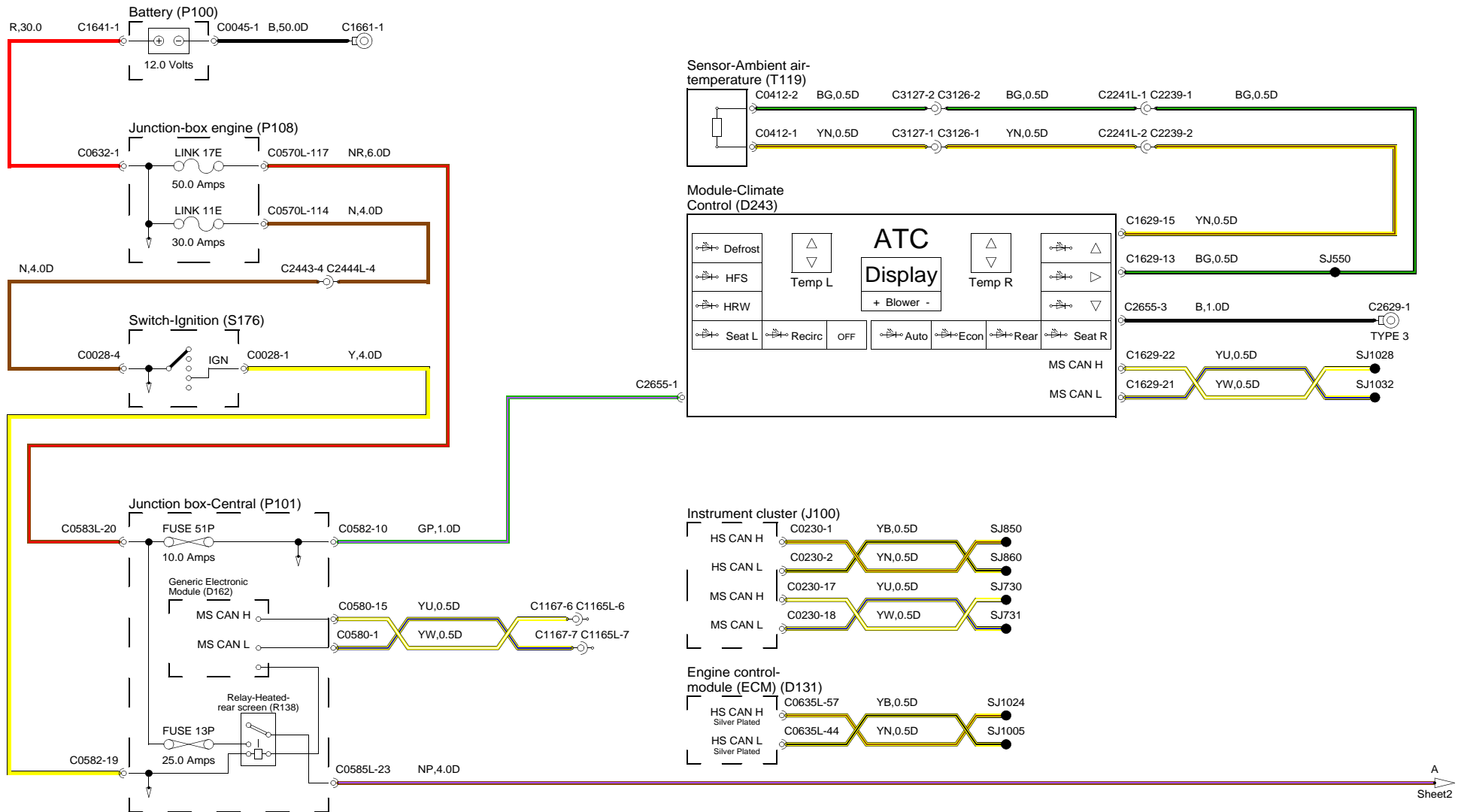


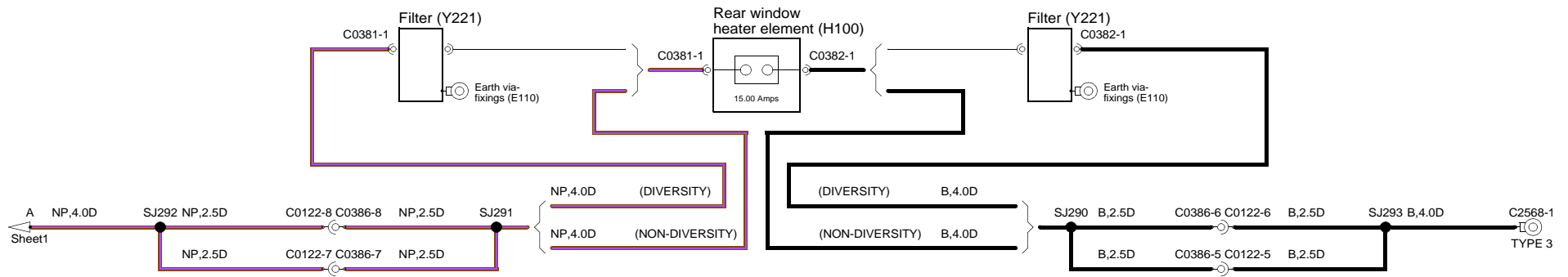


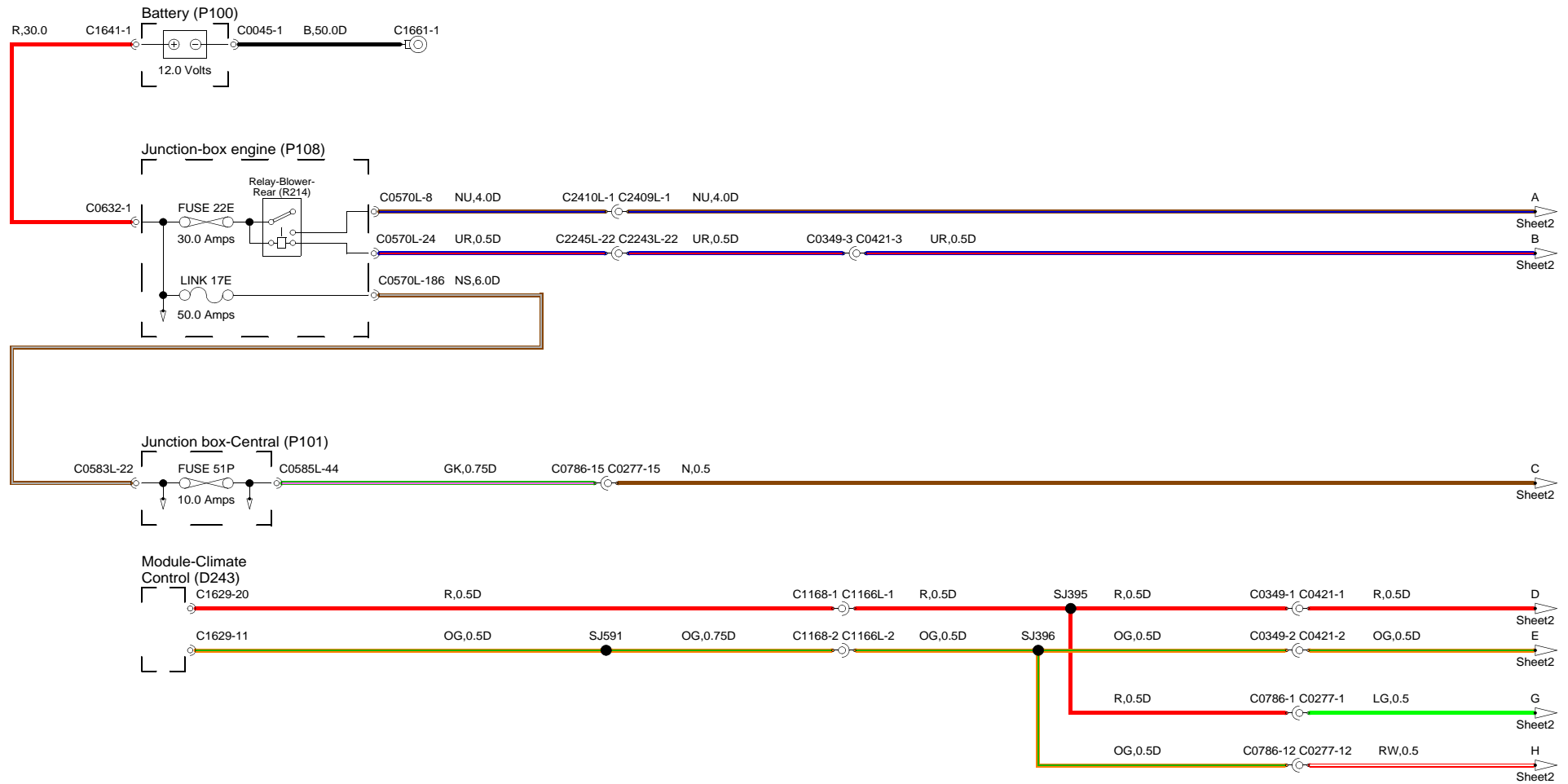


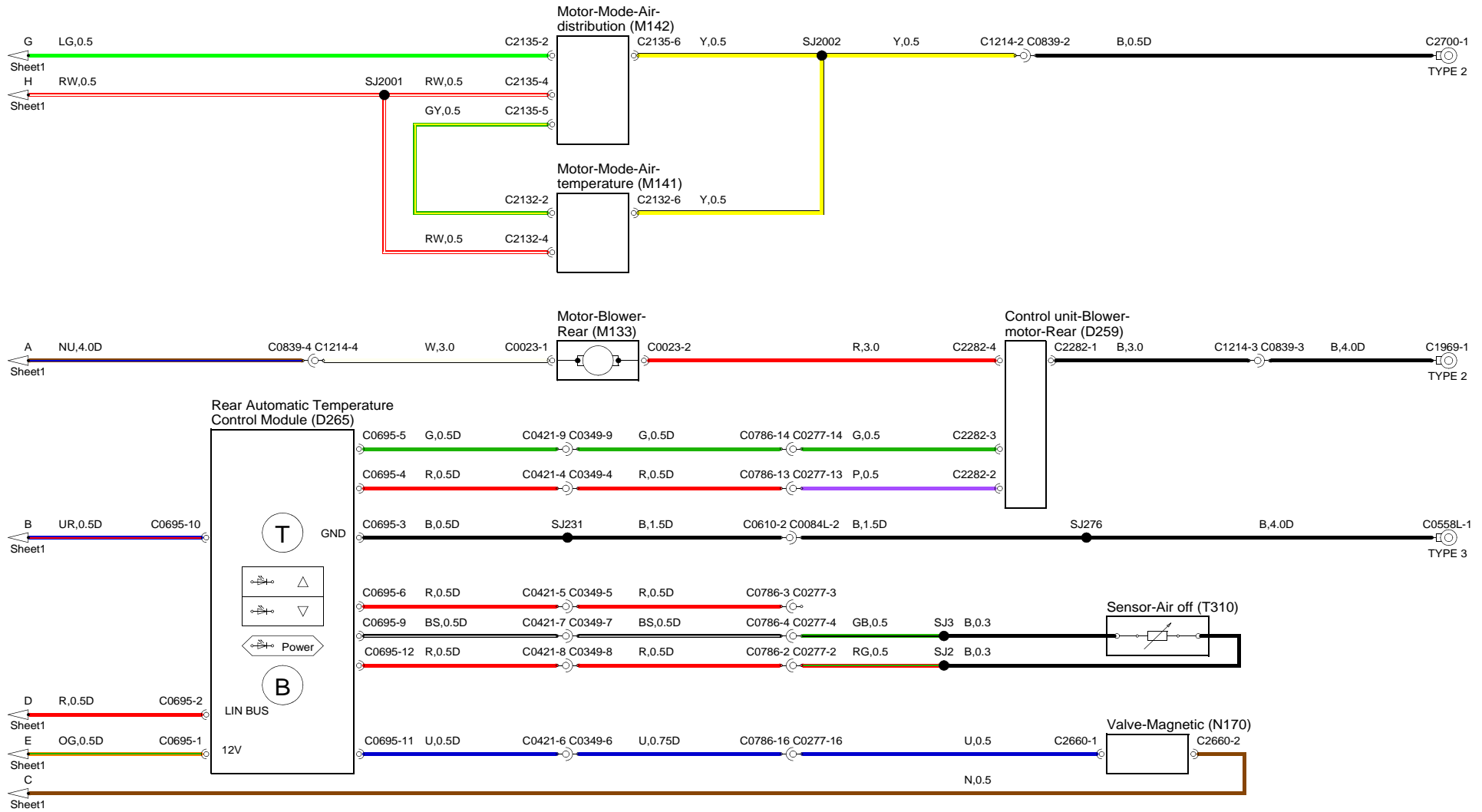


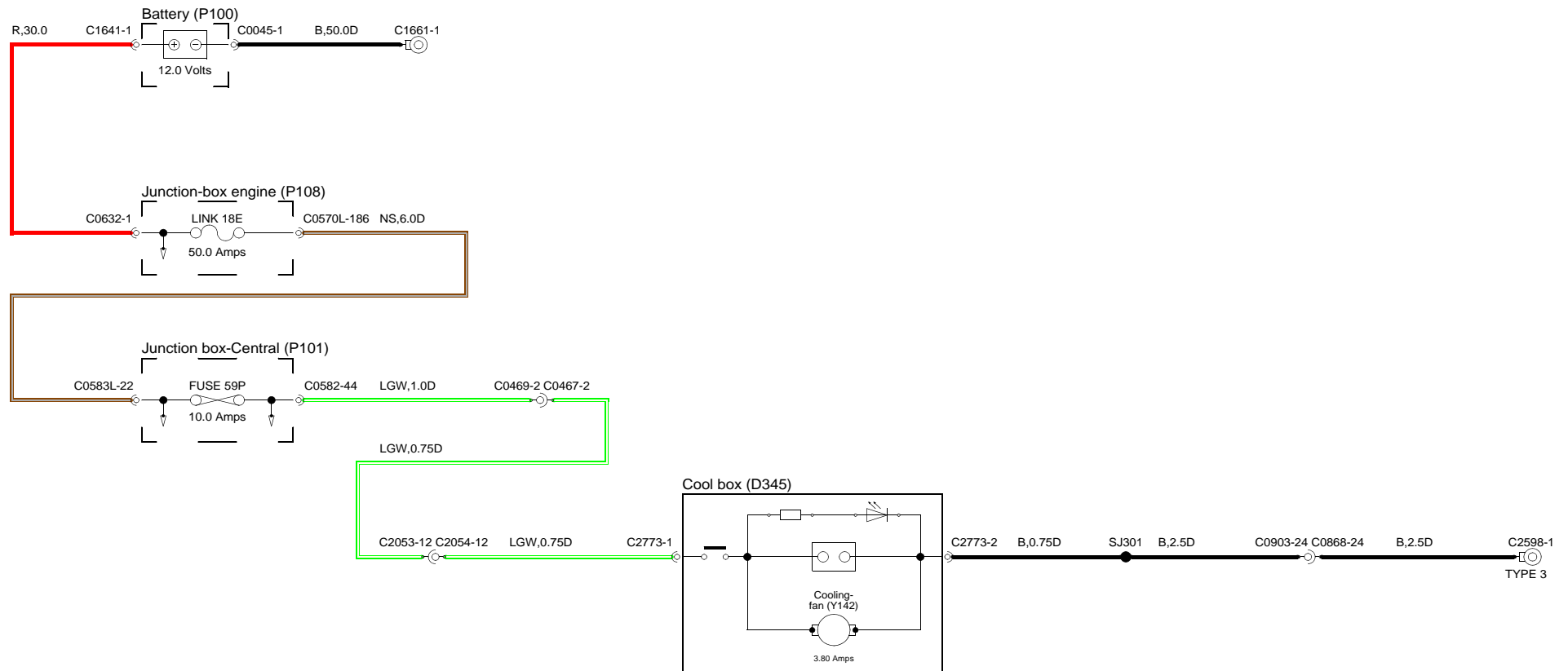




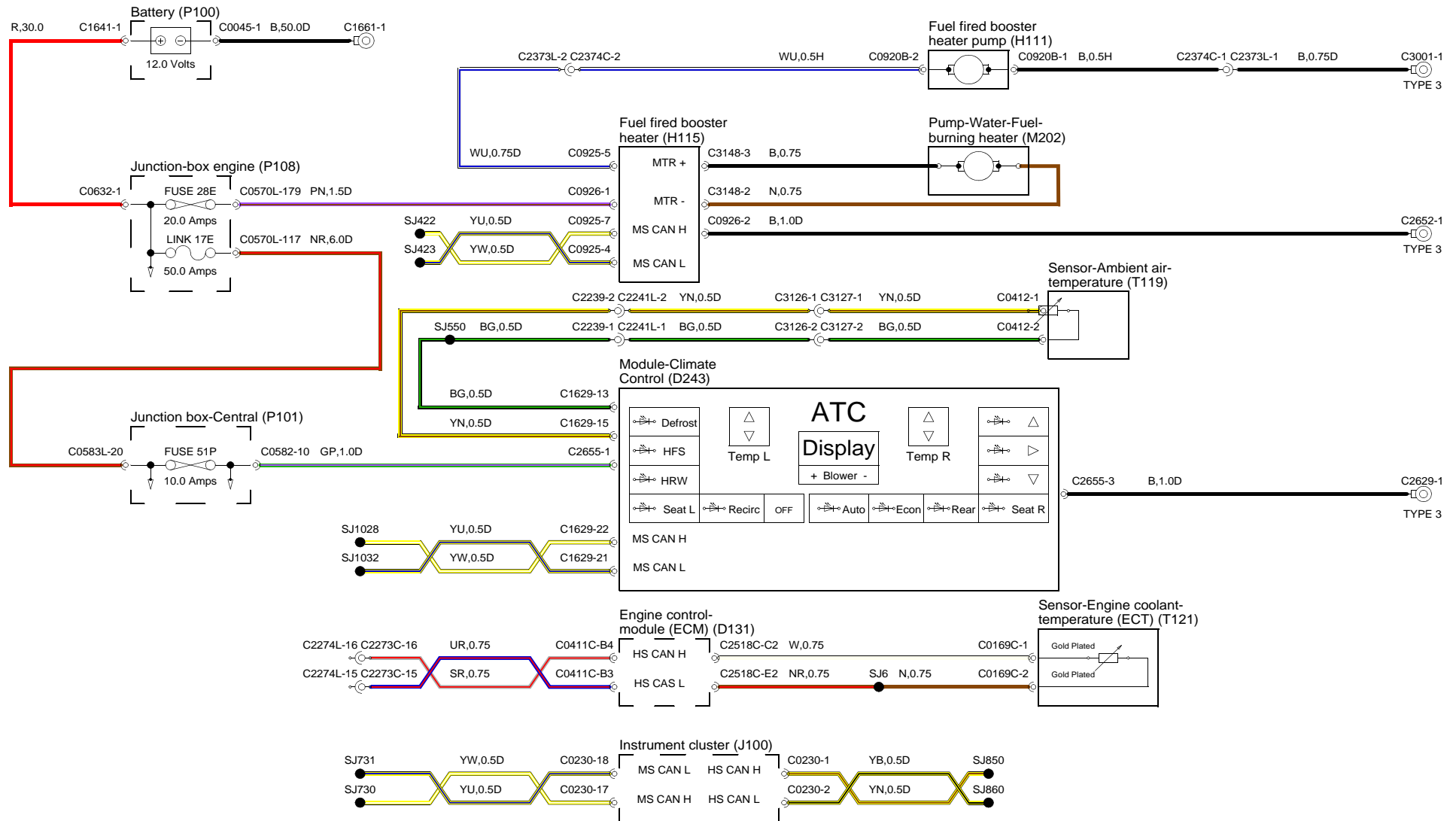




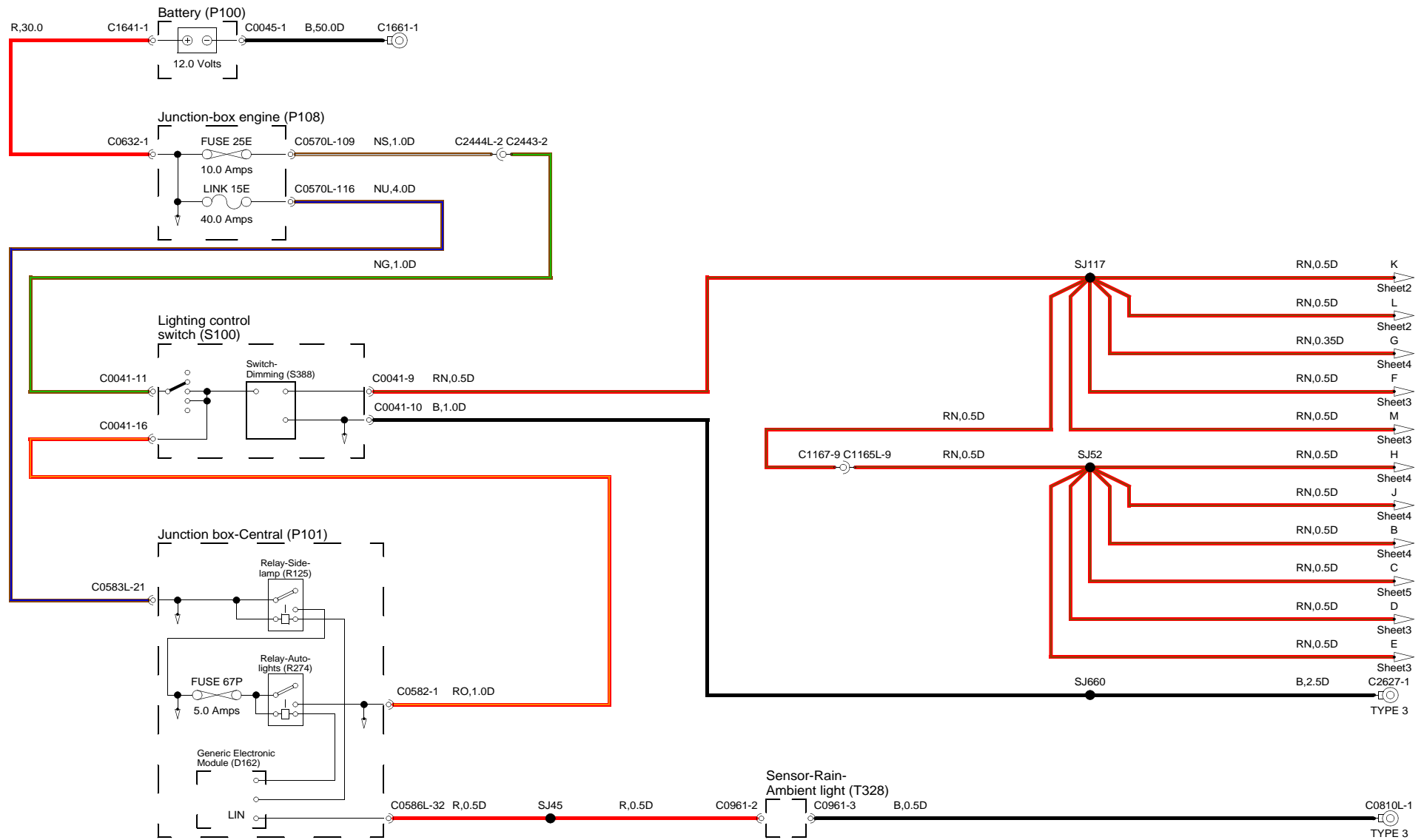




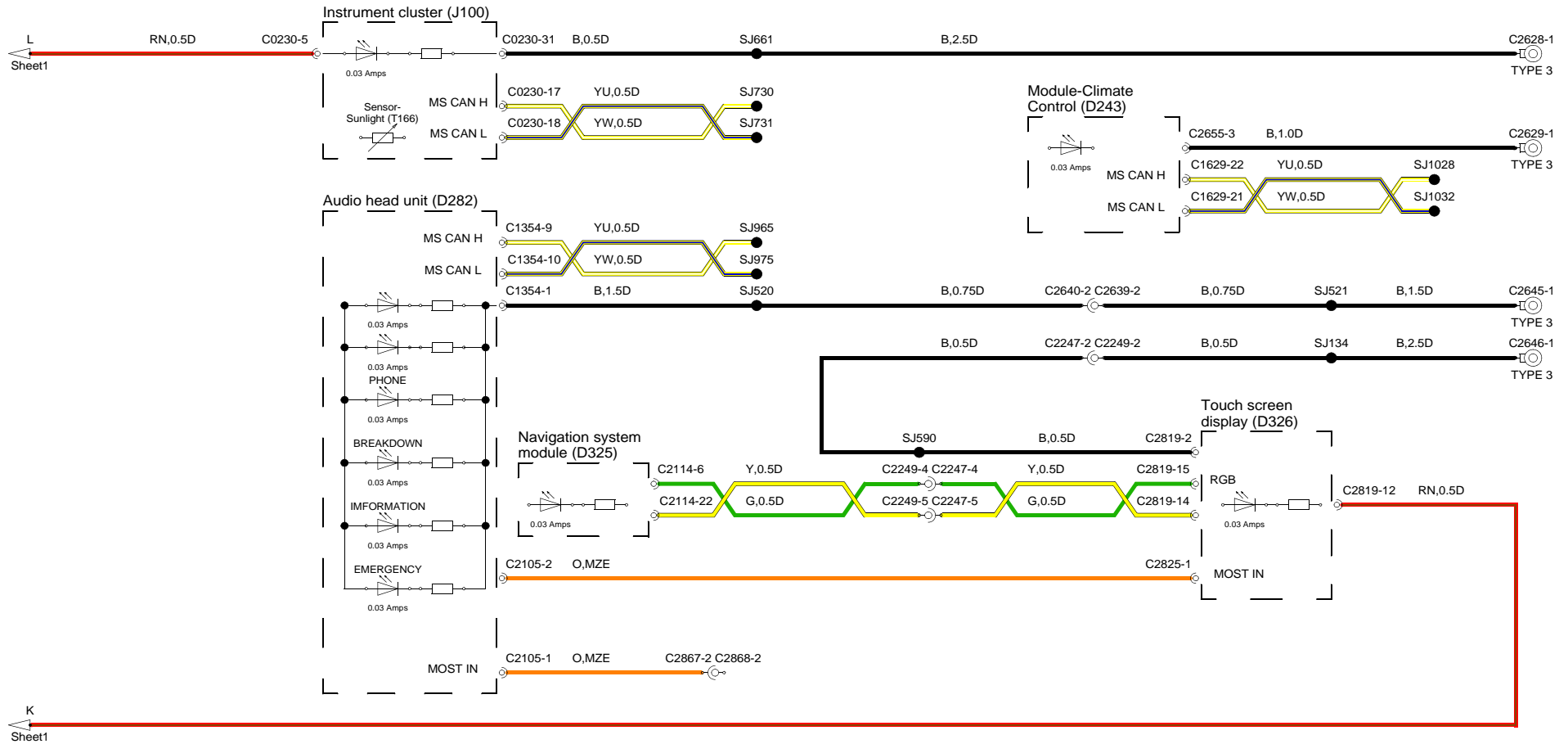




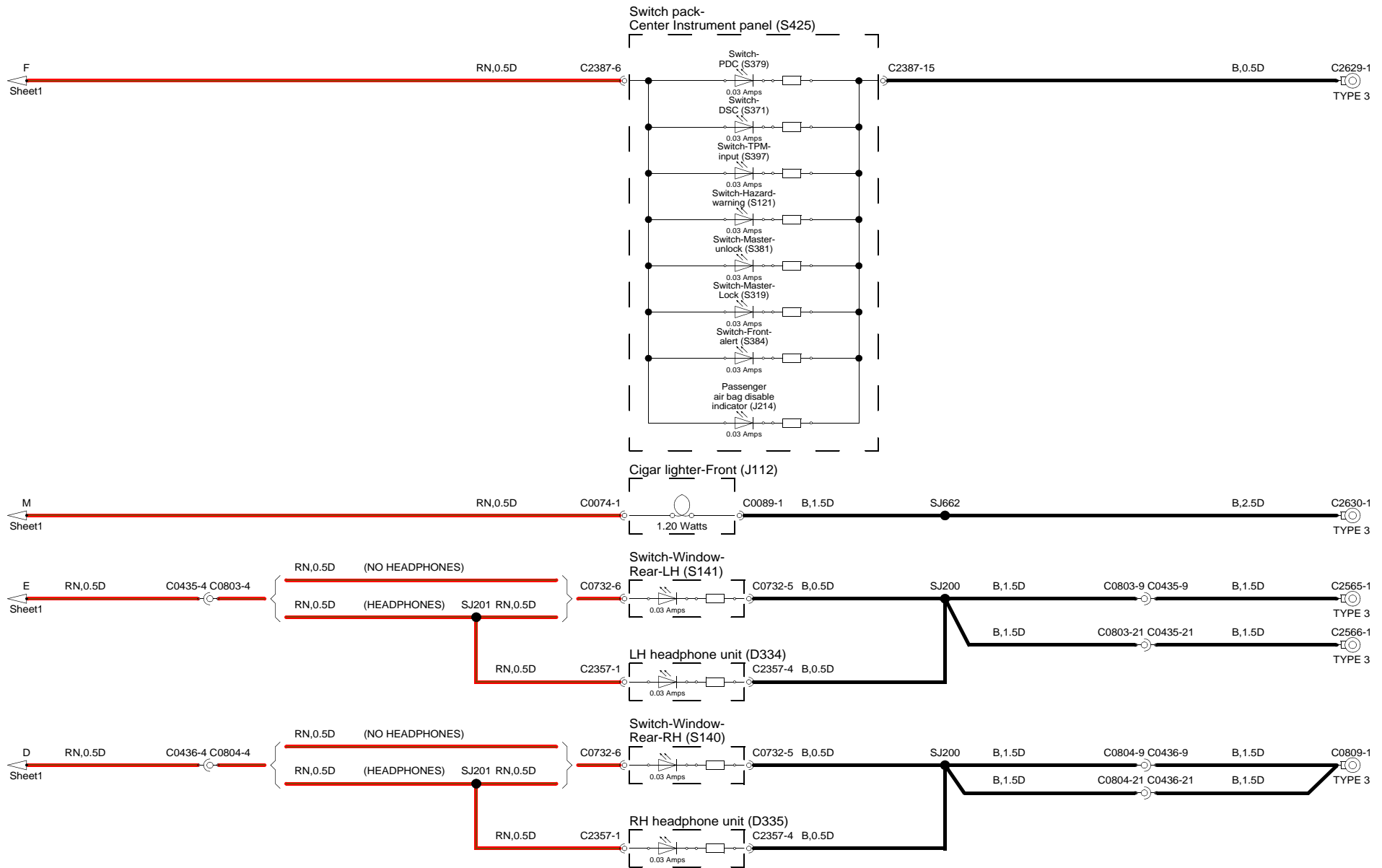
# 413-00 - INSTRUMENT CLUSTER AND PANEL ILLUMINATION



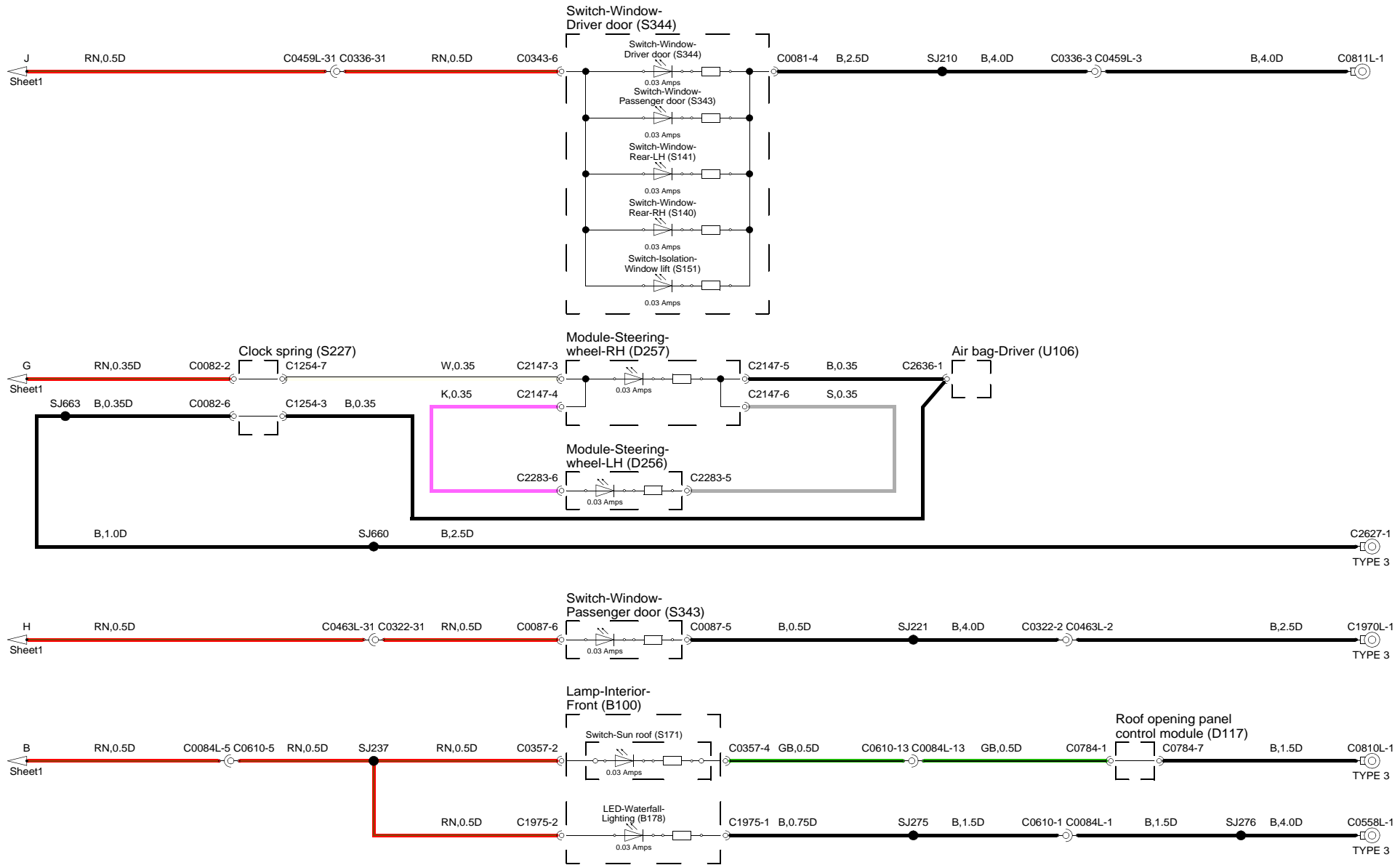
# 413-00 - INSTRUMENT CLUSTER AND PANEL ILLUMINATION



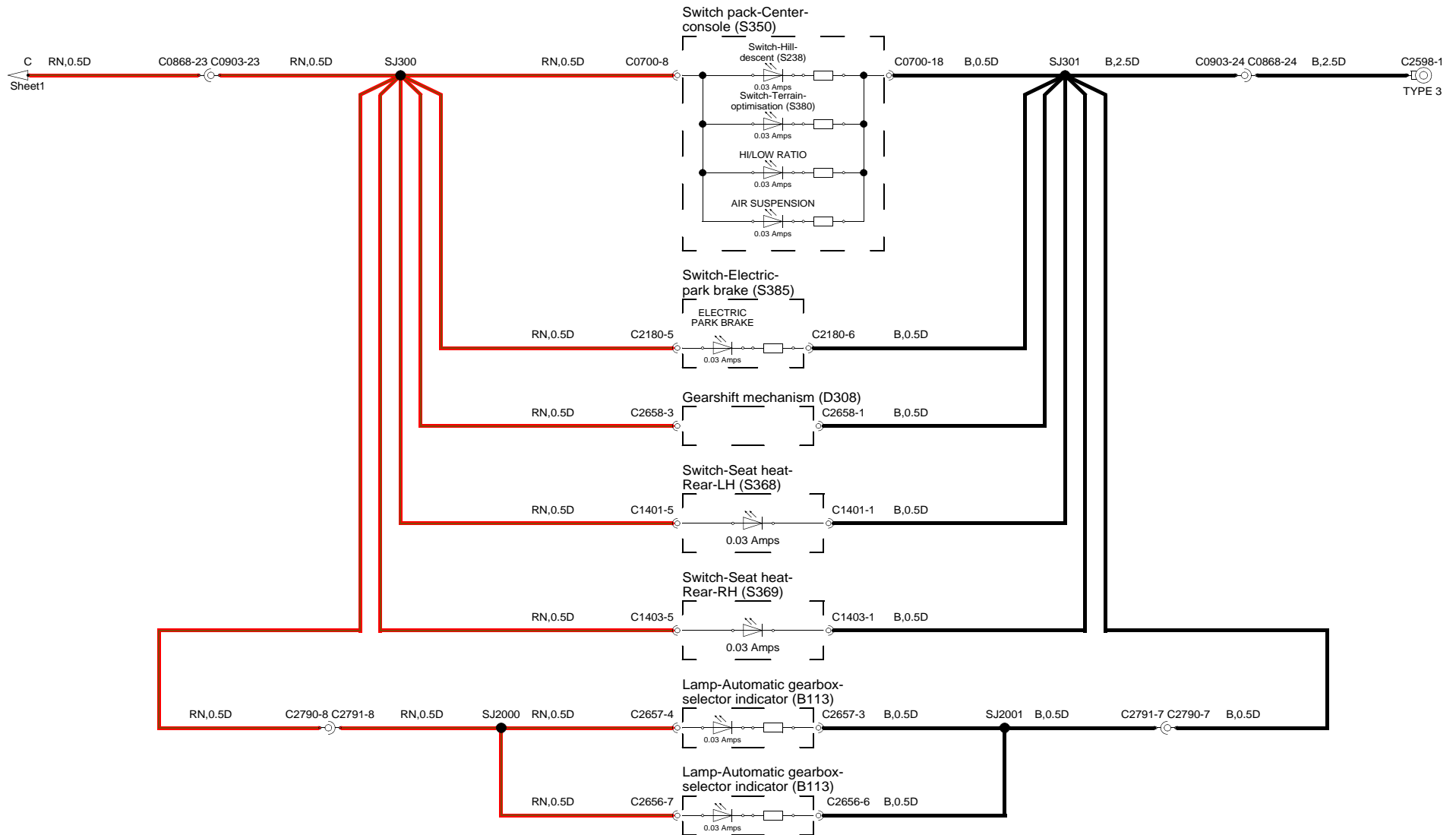
# 413-00 - INSTRUMENT CLUSTER AND PANEL ILLUMINATION

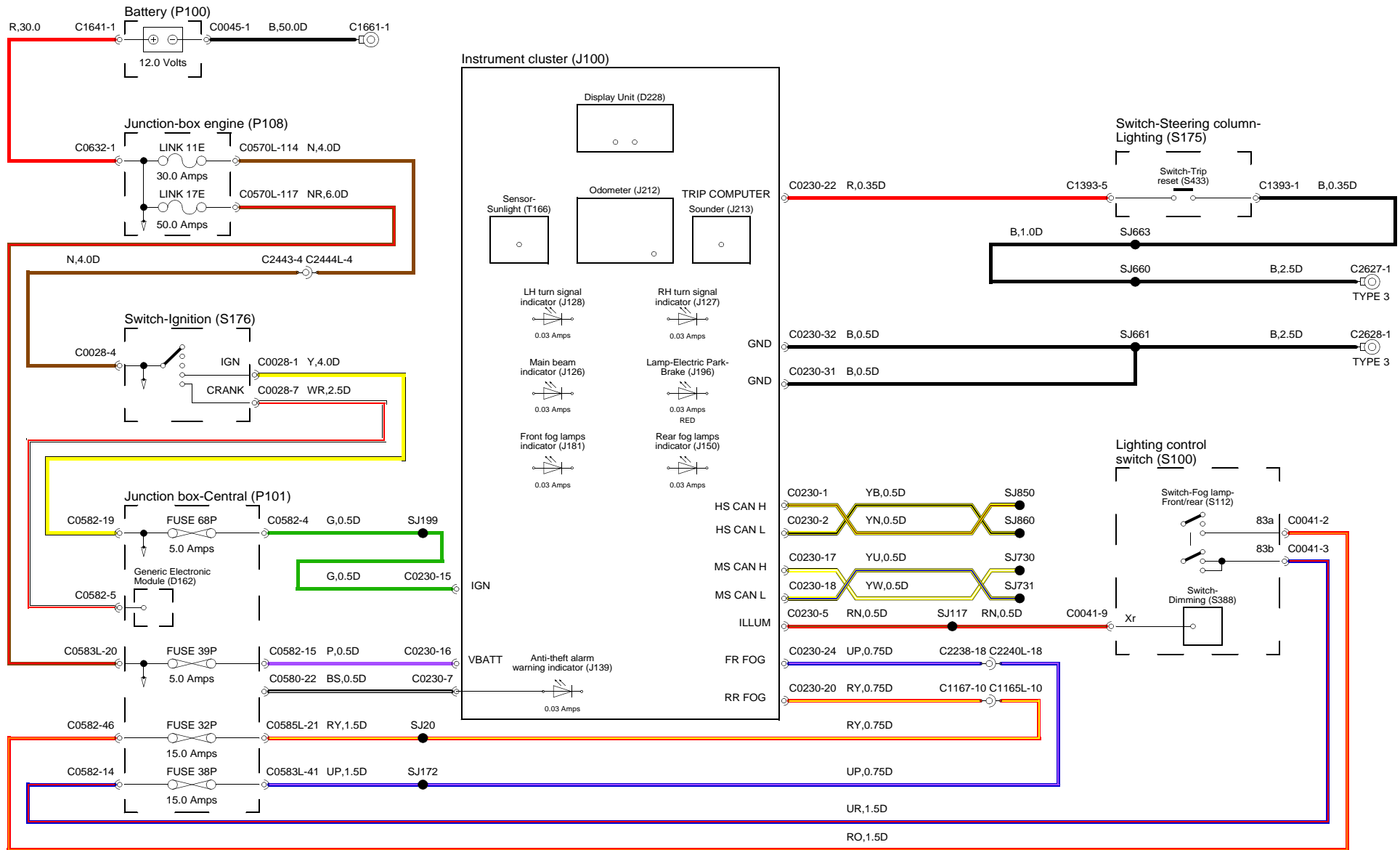


# 413-00 - INSTRUMENT CLUSTER AND PANEL ILLUMINATION



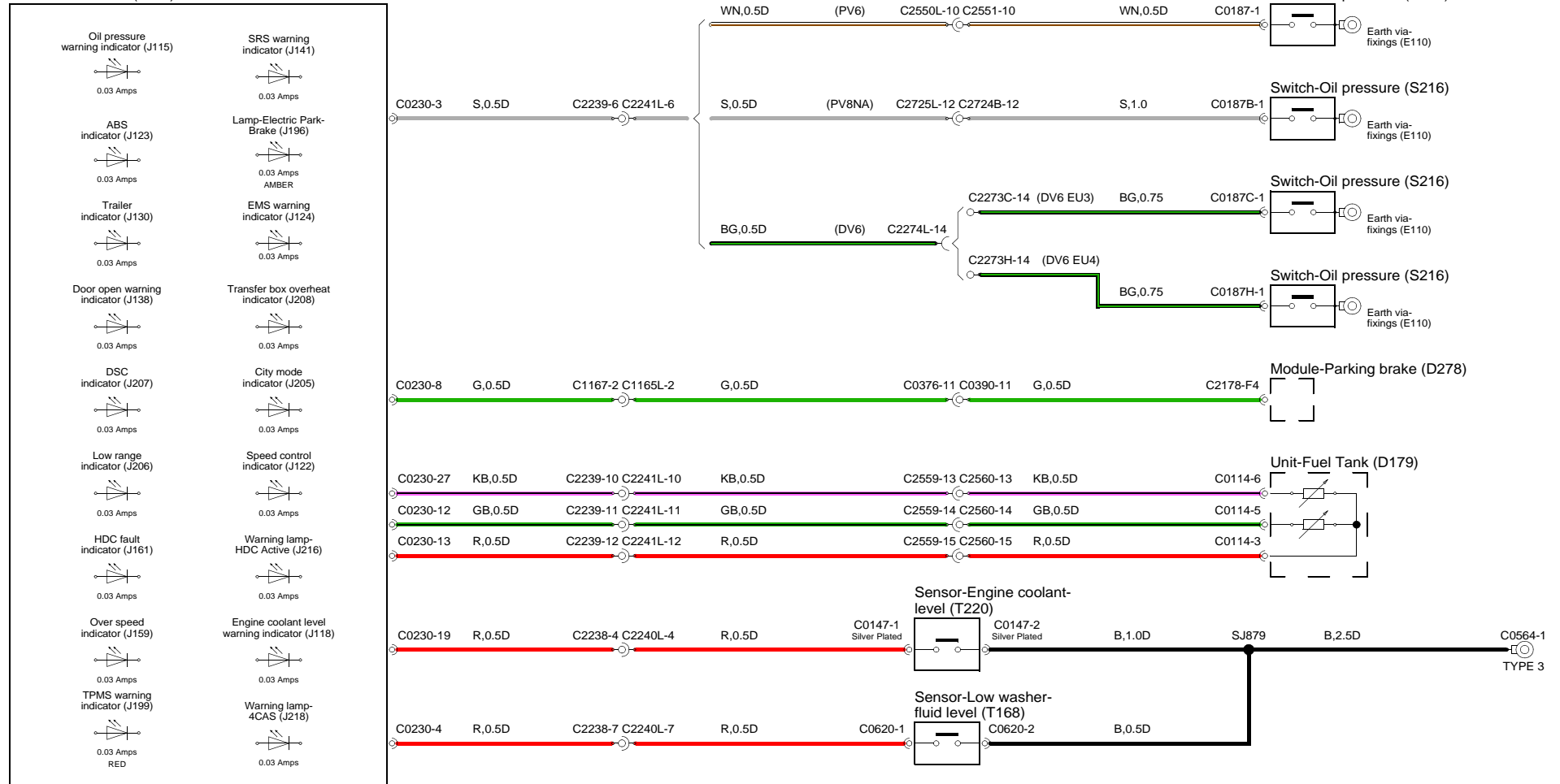
# 413-00 - INSTRUMENT CLUSTER AND PANEL ILLUMINATION





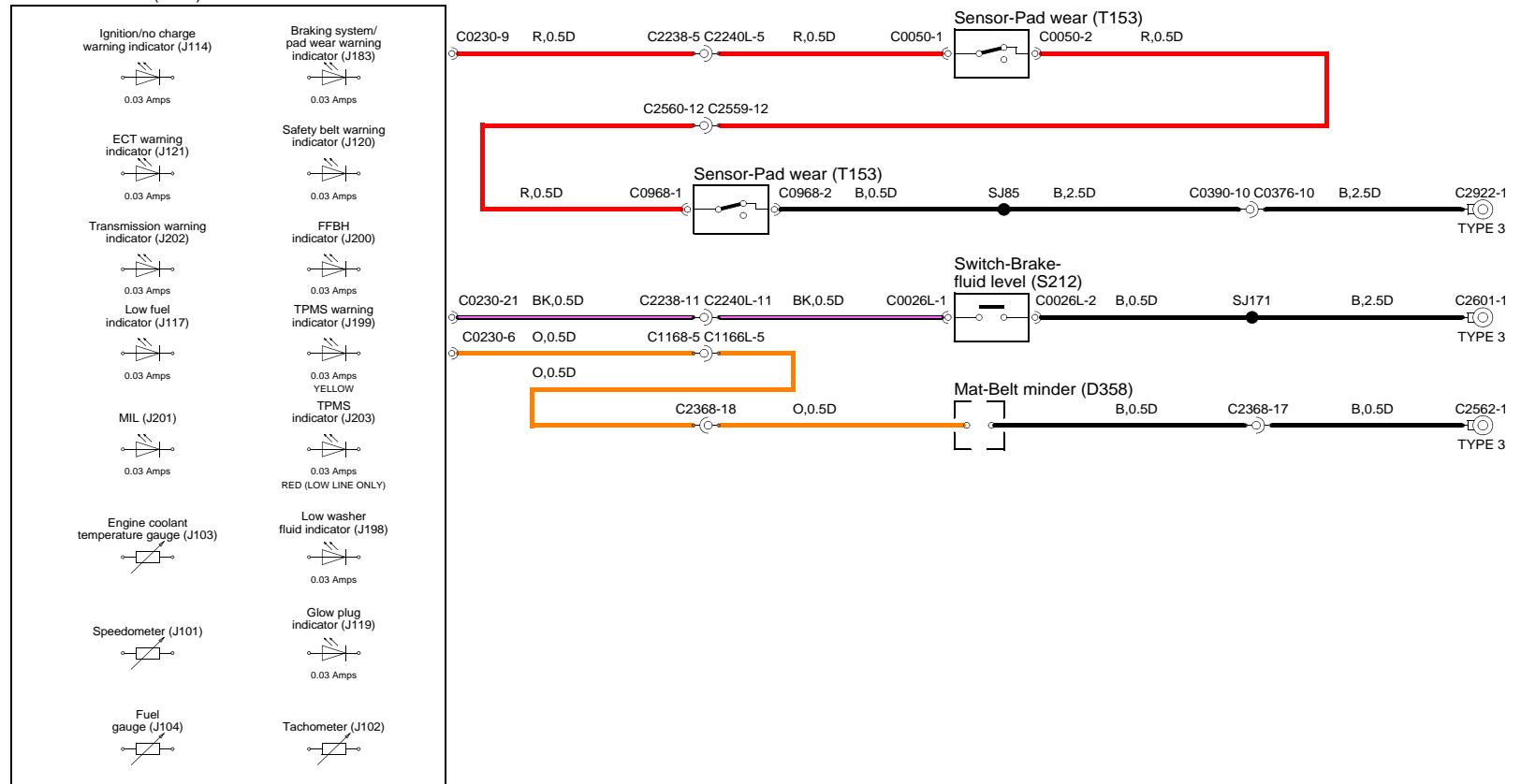
# 413-01 - INSTRUMENT CLUSTER

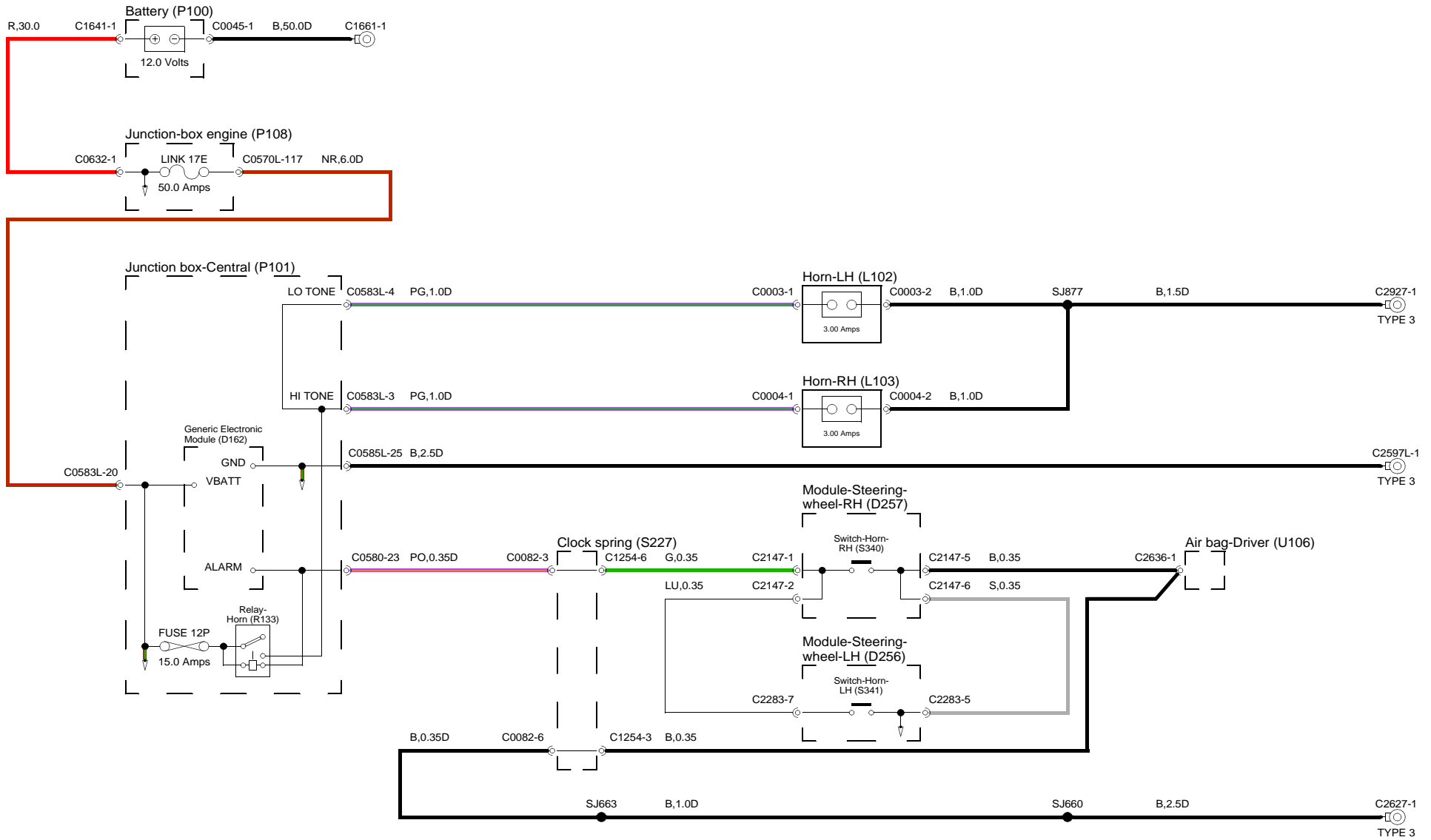
Instrument cluster (J100)





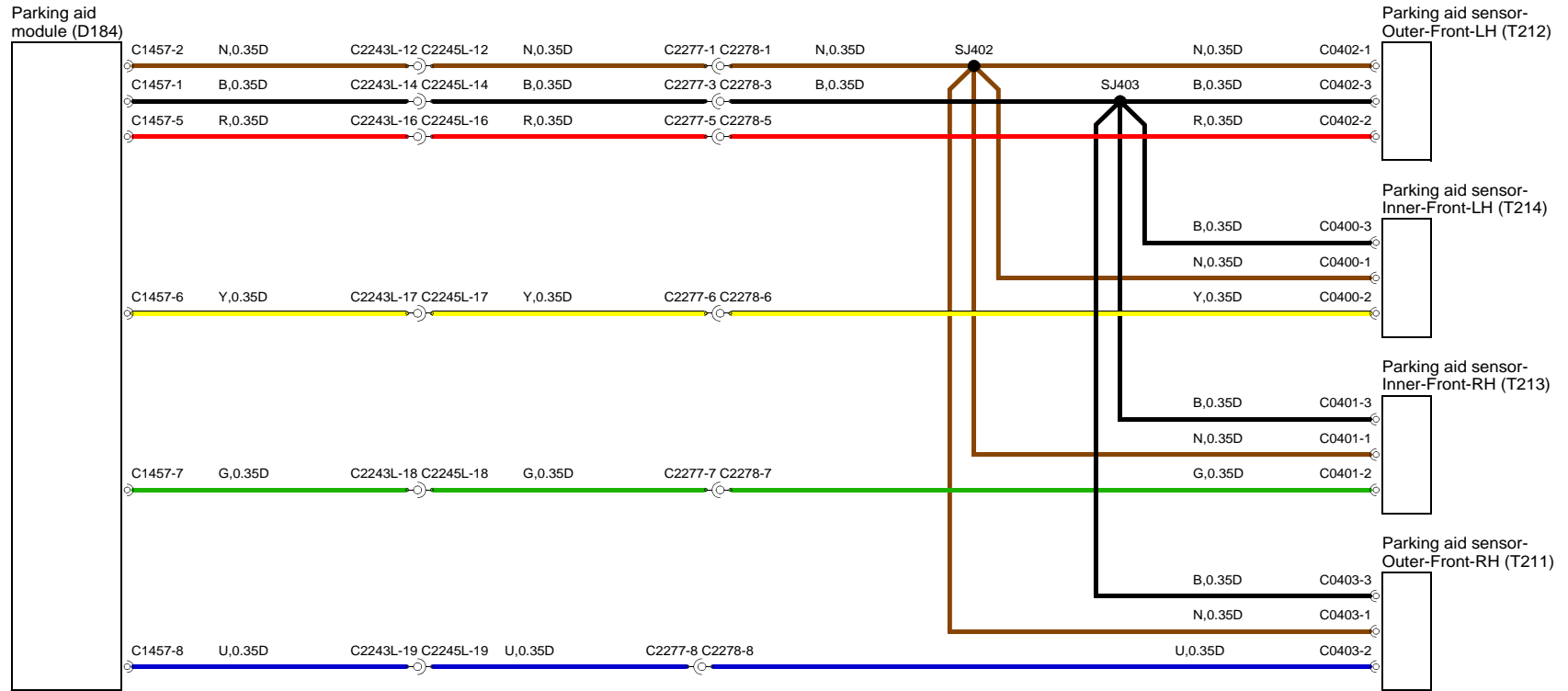
Instrument cluster (J100)

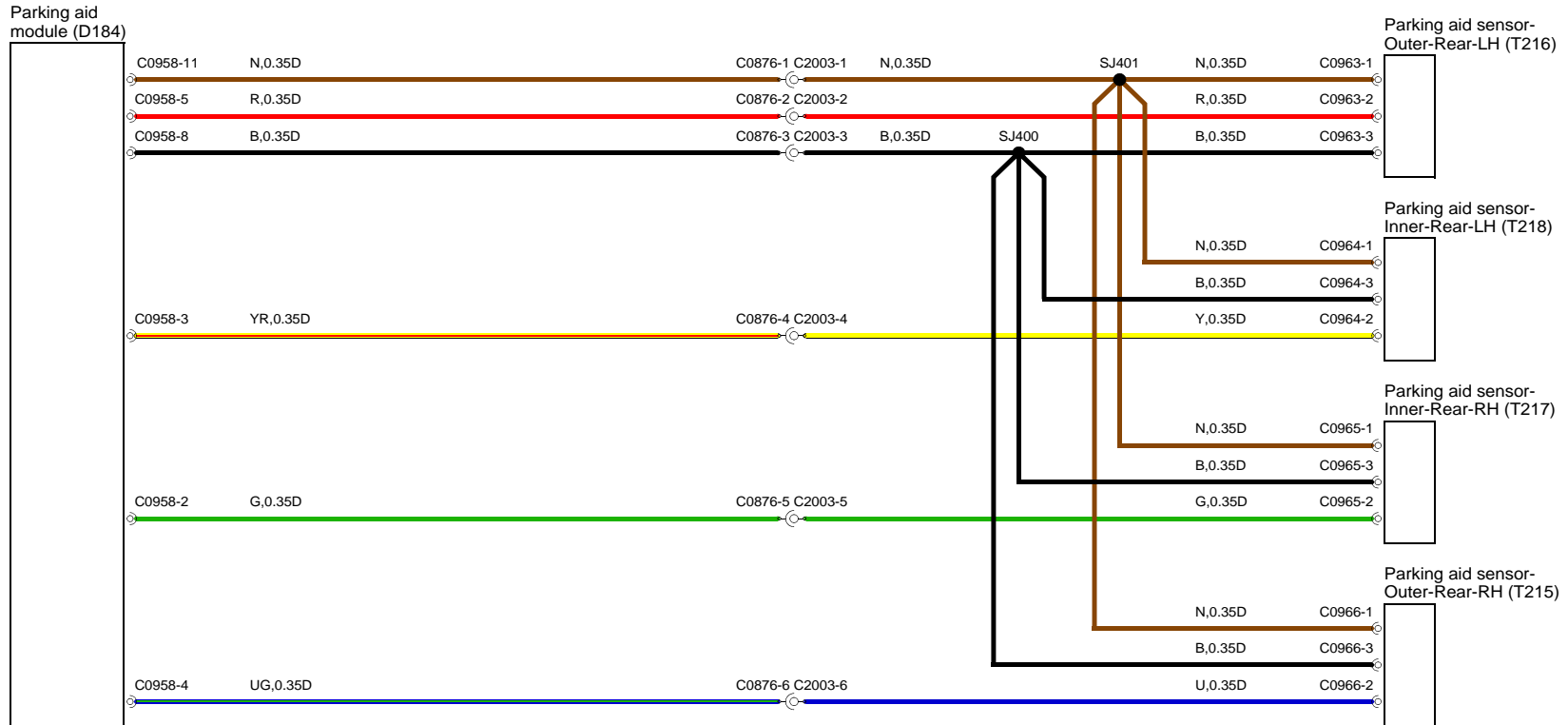




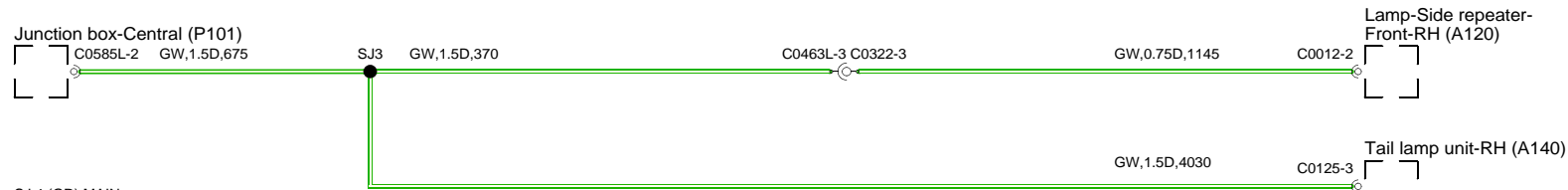


# 413-13 - PARKING AID

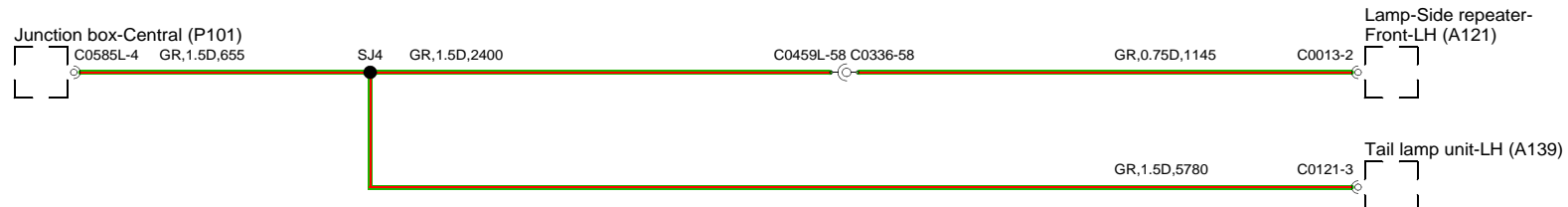




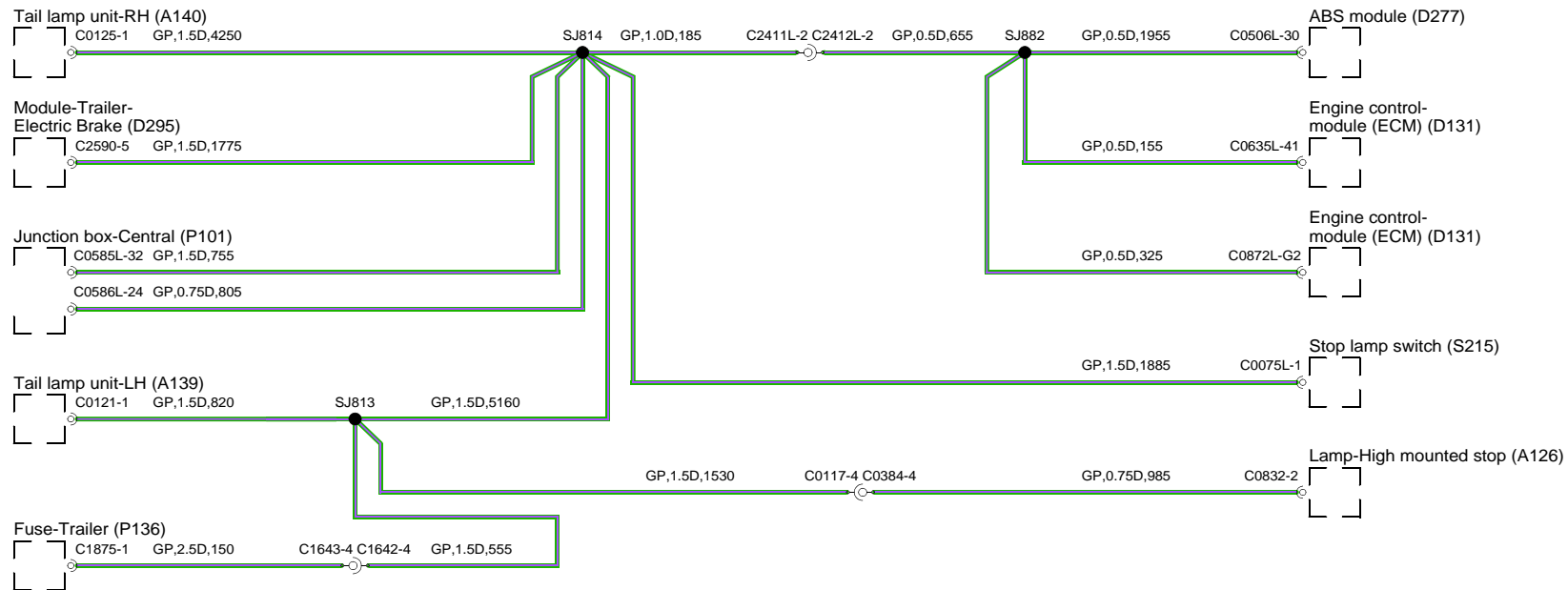
SJ3 (GW) MAIN



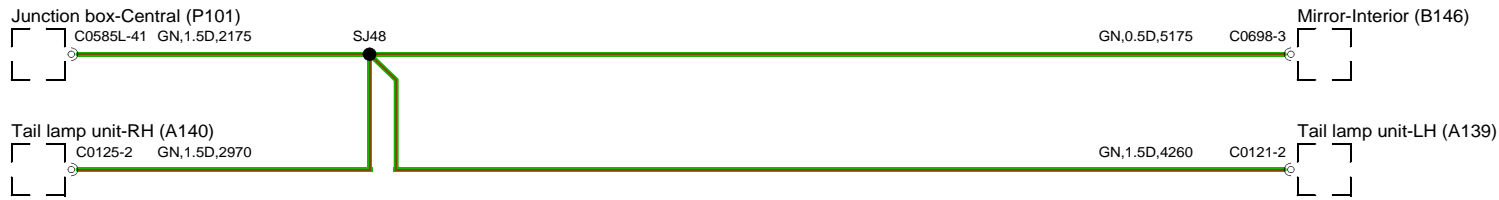
SJ 4 (GR) MAIN



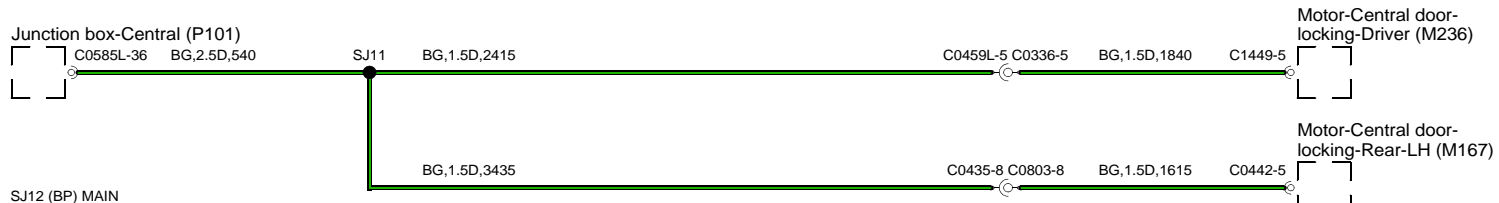
SJ814 (GP) MAIN SJ882 (GP) ENGINE BAY SJ813 (GP) MAIN



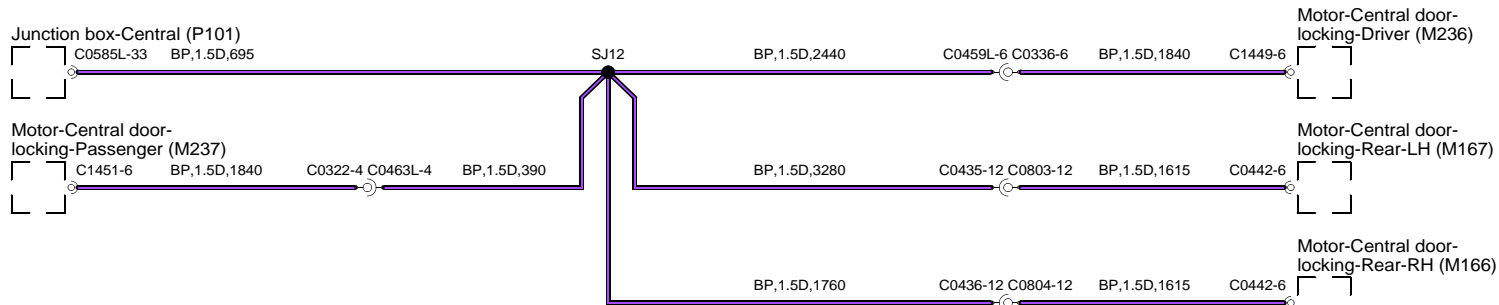
SJ7 (GN) MAIN



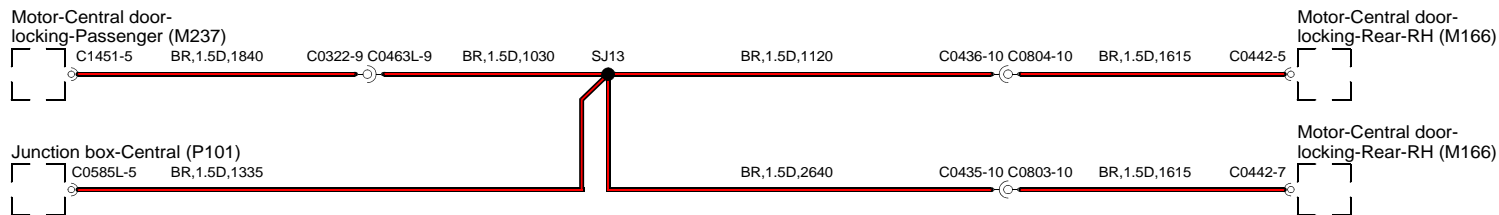
SJ11 (BG) MAIN

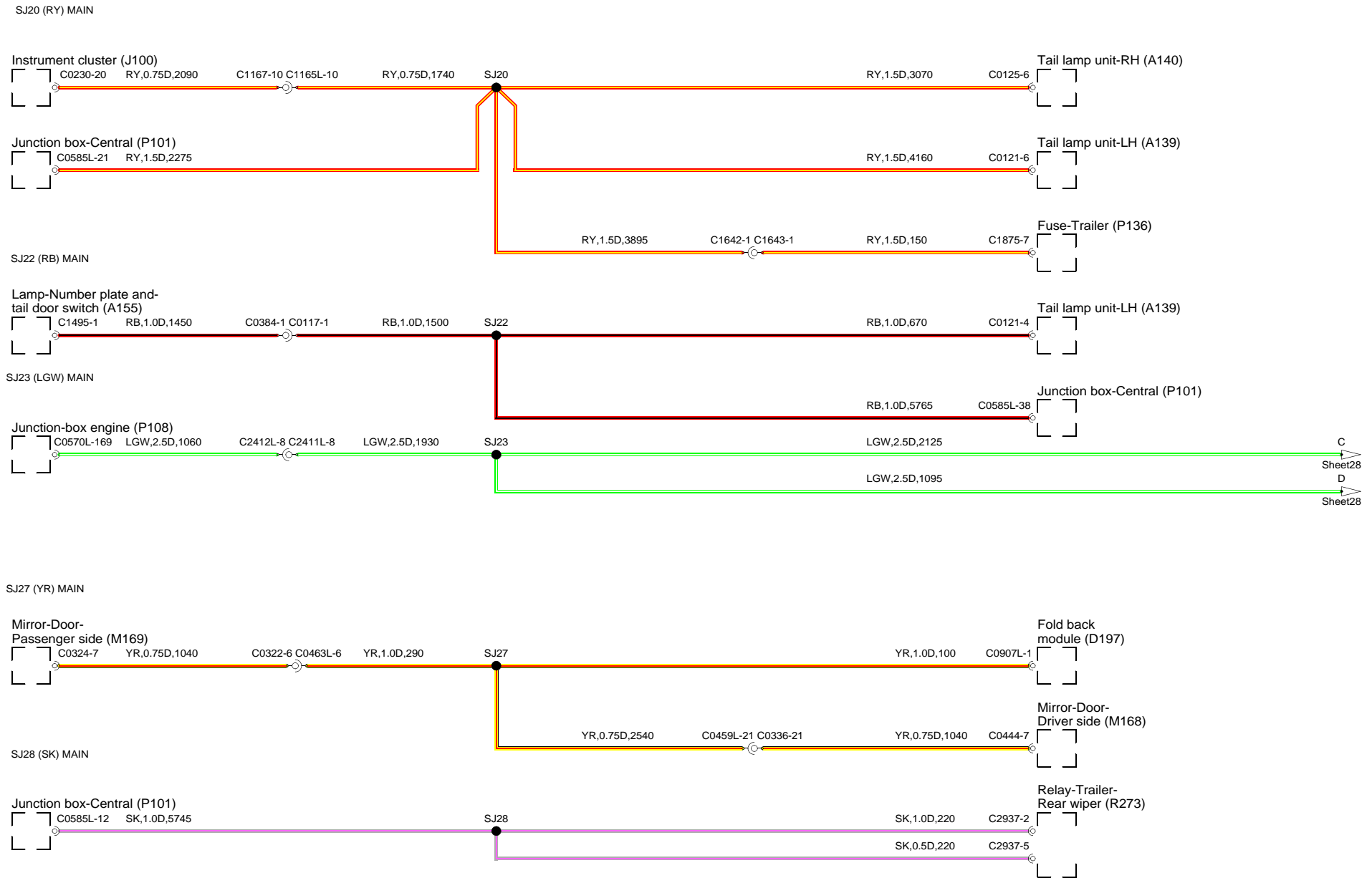


SJ12 (BP) MAIN



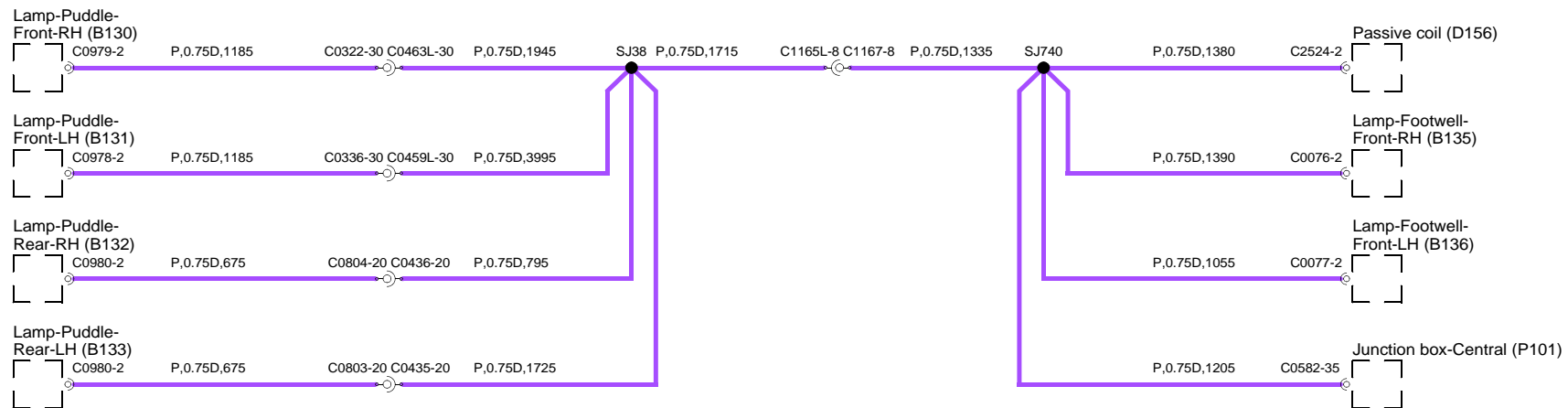
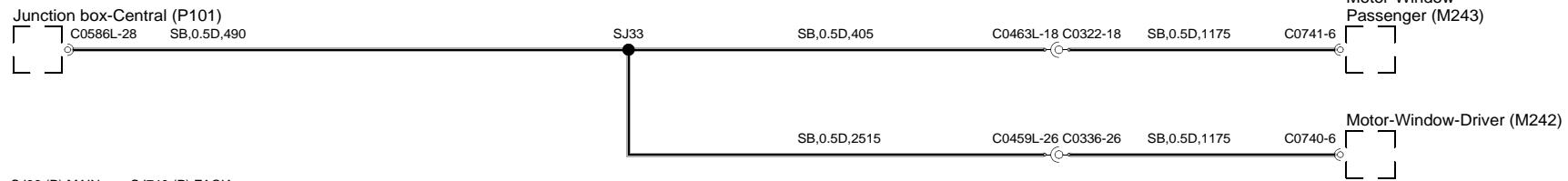
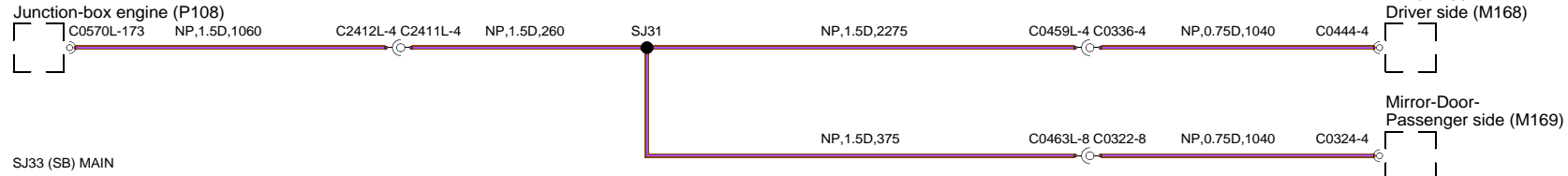
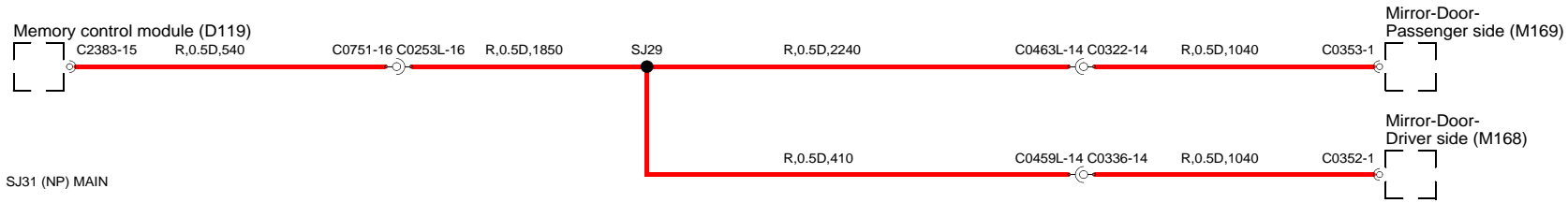
SJ13 (BR) MAIN



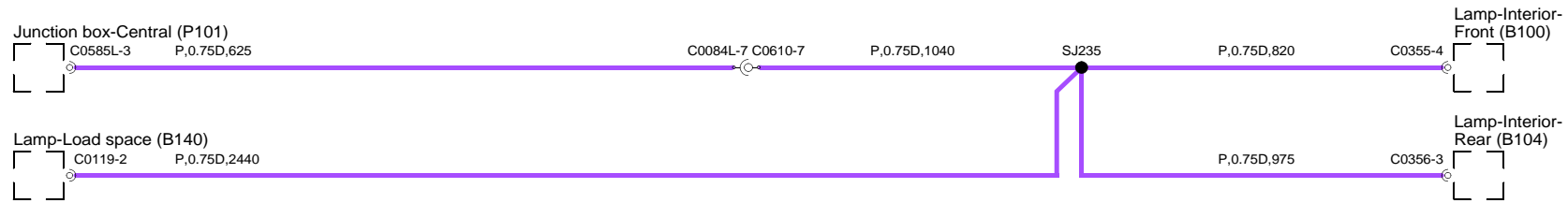




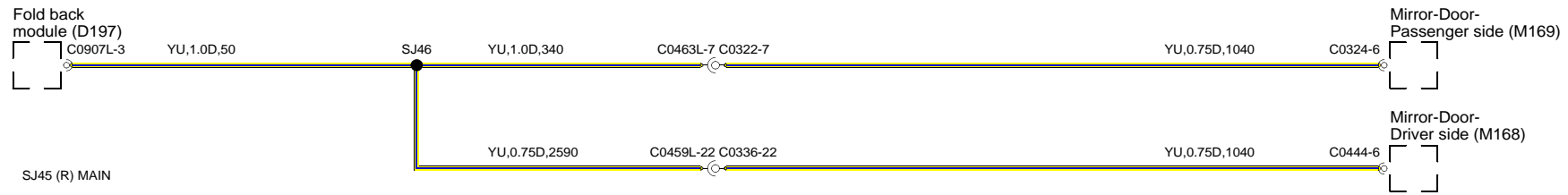
SJ29 (R) MAIN



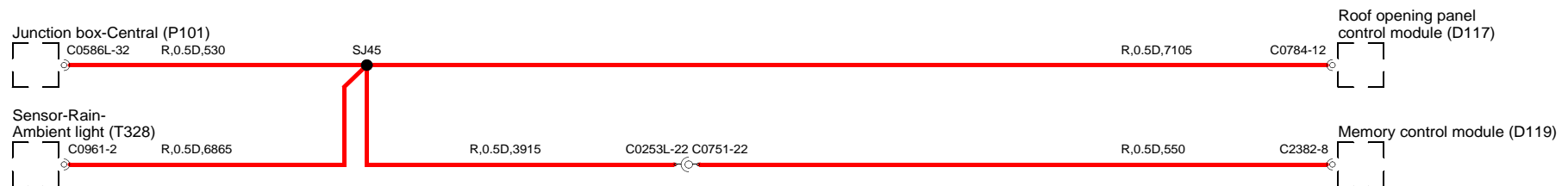
SJ235 (P) ROOF



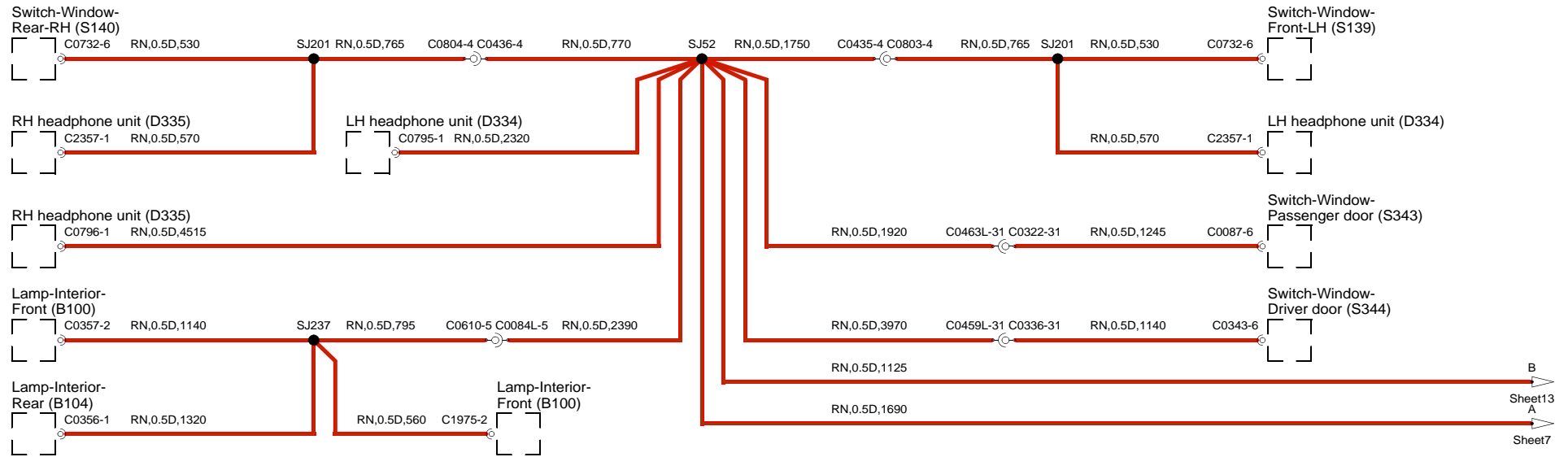
SJ46 (Y) MAIN



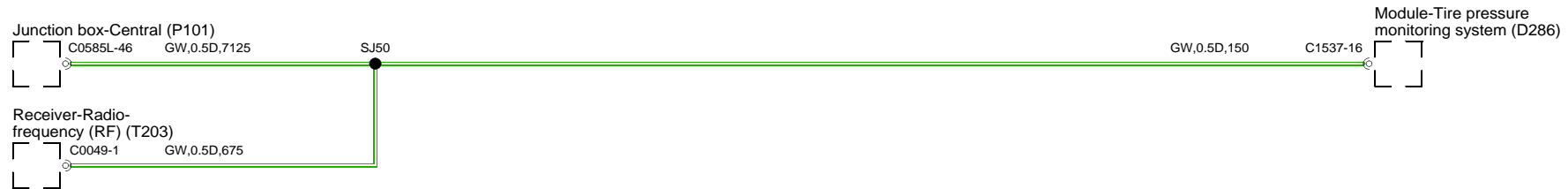
SJ45 (R) MAIN

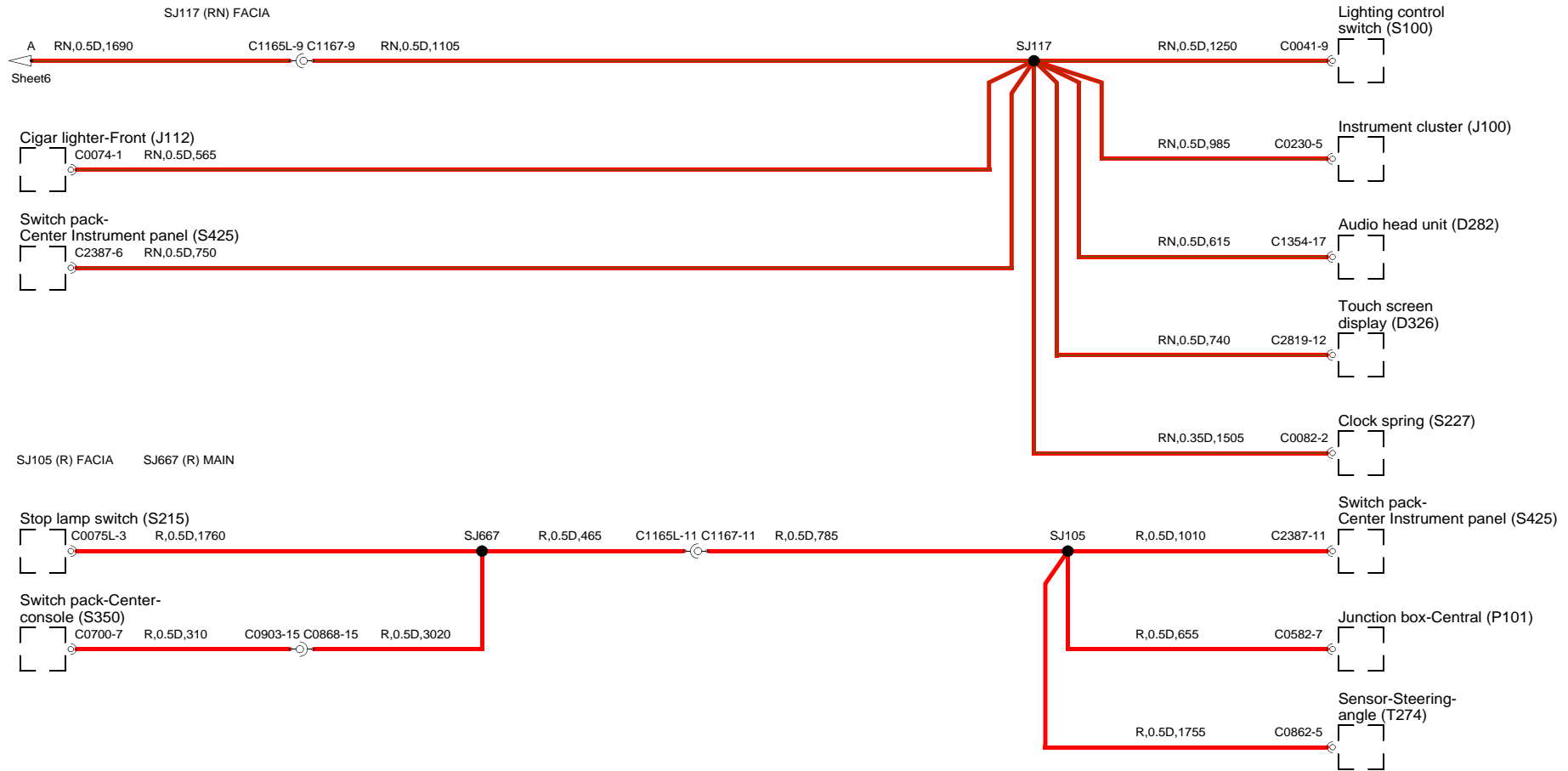


SJ52 (RN) MAIN SJ201 (RN) REAR DOOR-RH SJ237 (RN) ROOF SJ201 (RN) REAR DOOR-LH

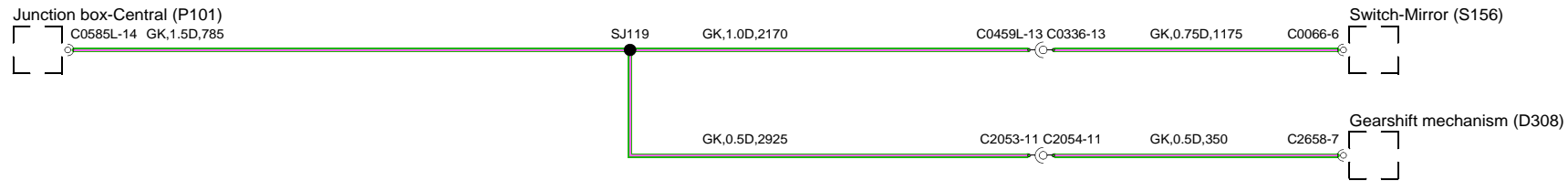
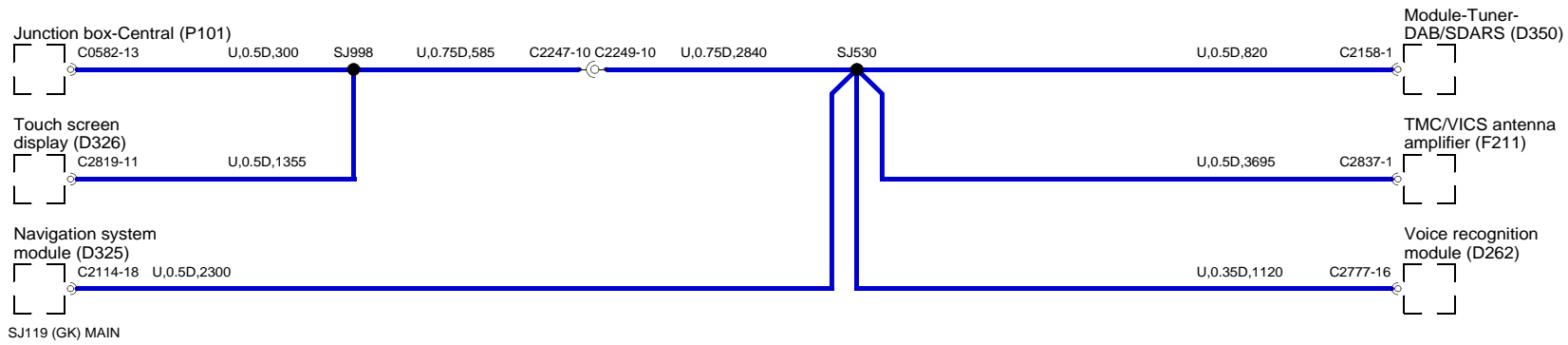


SJ50 (GW) MAIN

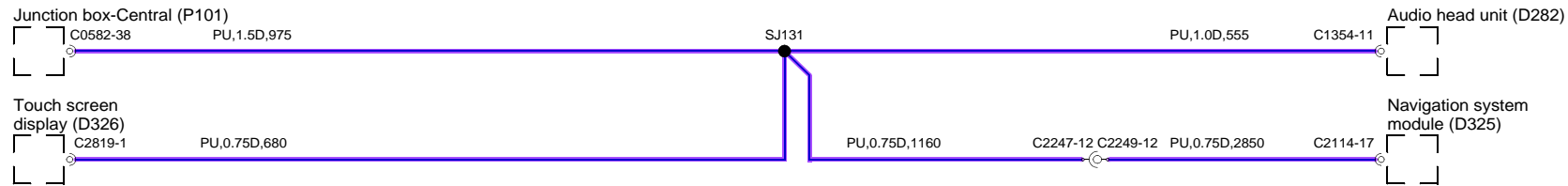




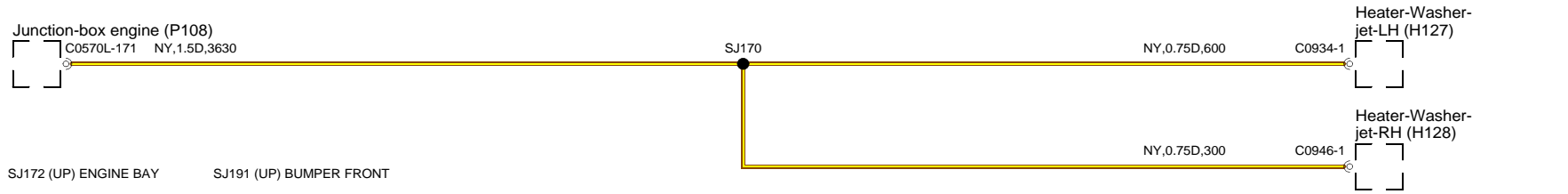
SJ530 (U) ICE SJ998 (U) FACIA



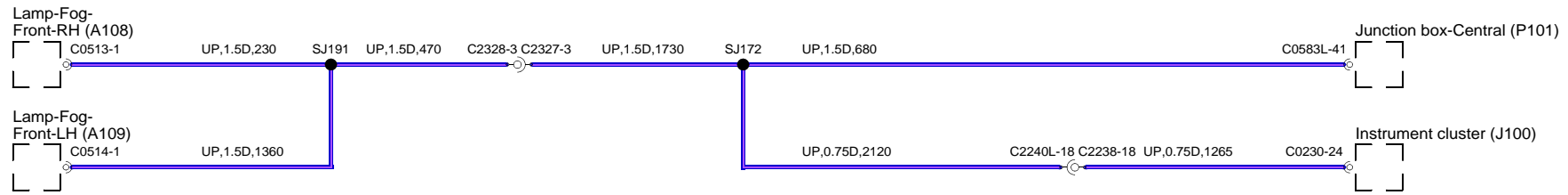
SJ131 (PU) FACIA



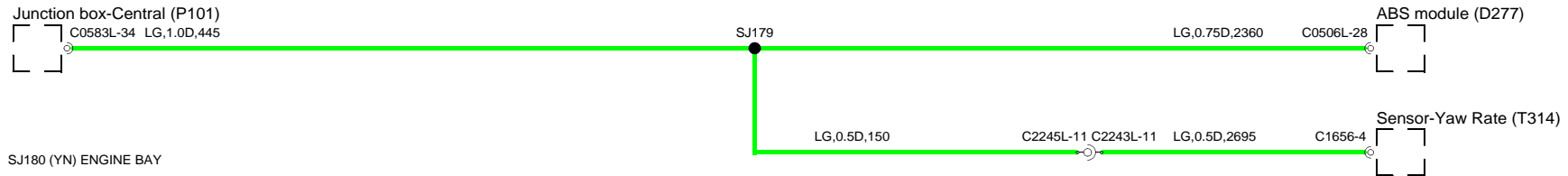
SJ170 (NY) ENGINE BAY



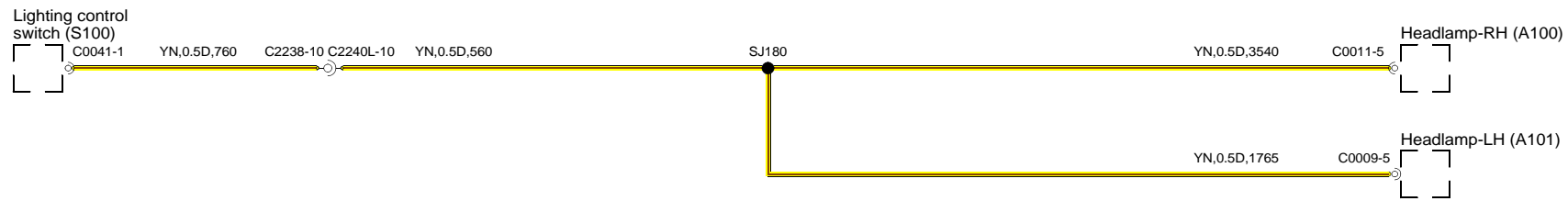
SJ172 (UP) ENGINE BAY SJ191 (UP) BUMPER FRONT



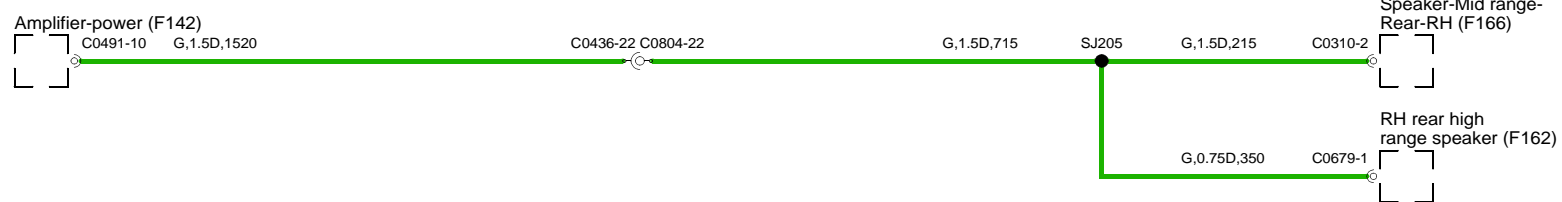
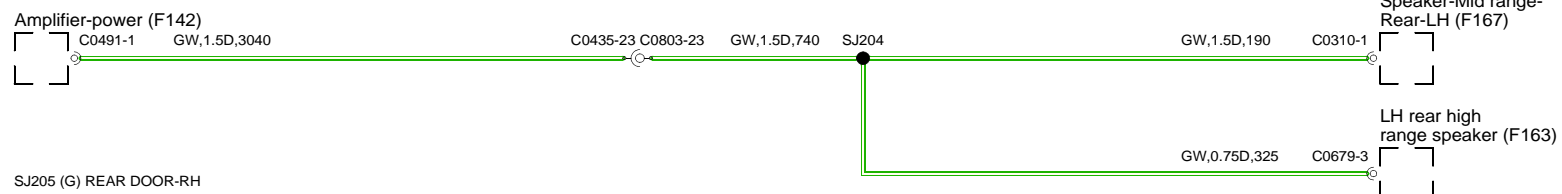
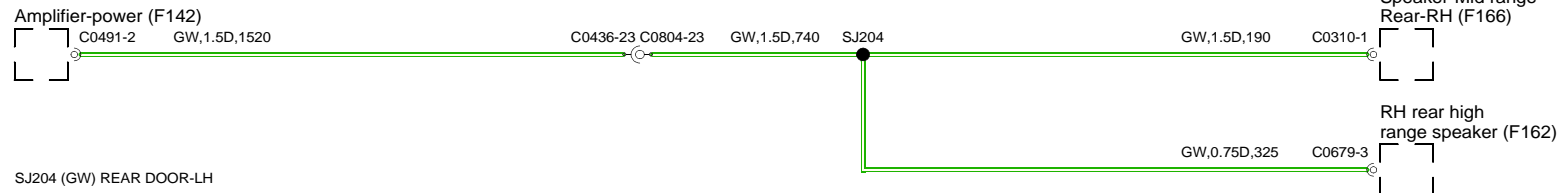
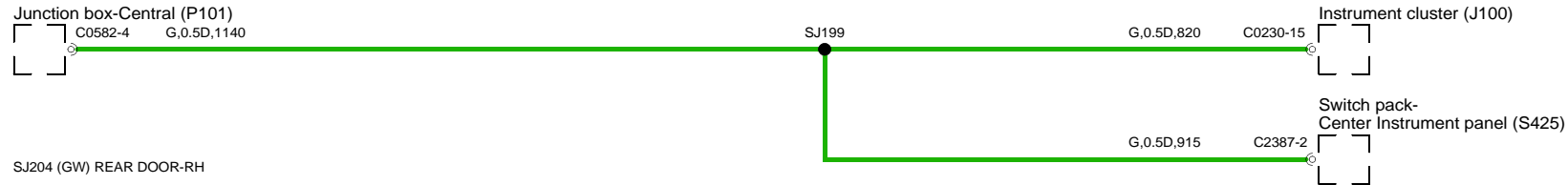
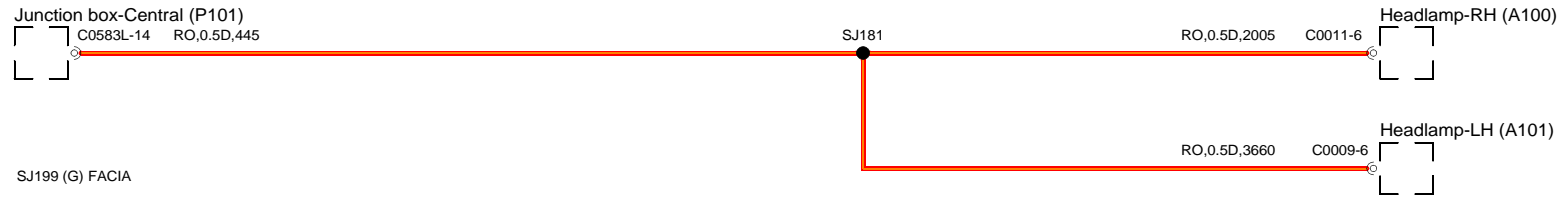
SJ179 (LG) ENGINE BAY



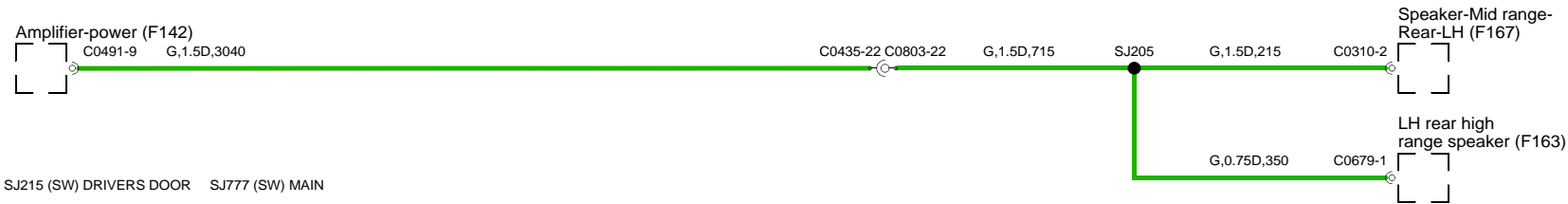
SJ180 (YN) ENGINE BAY



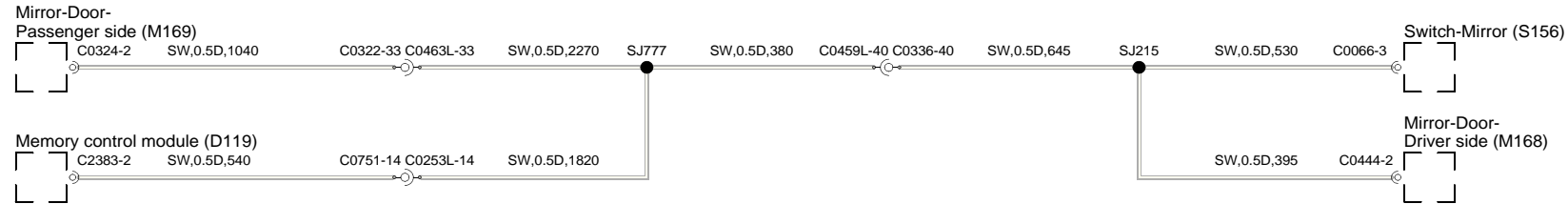
SJ181 (RO) M.F.E.



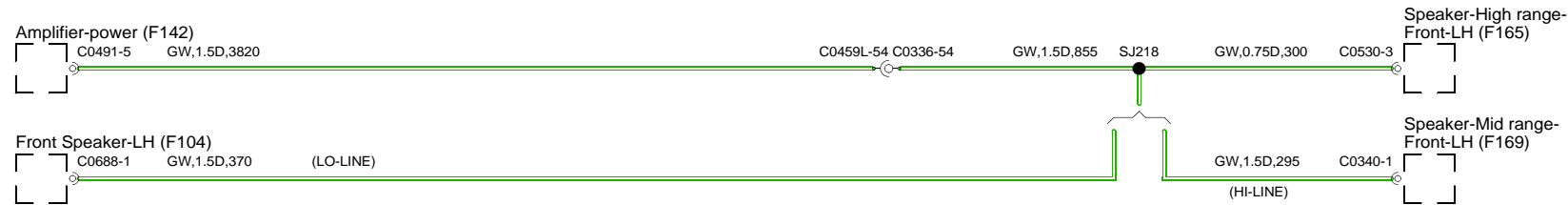
SJ205 (G) REAR DOOR-LH



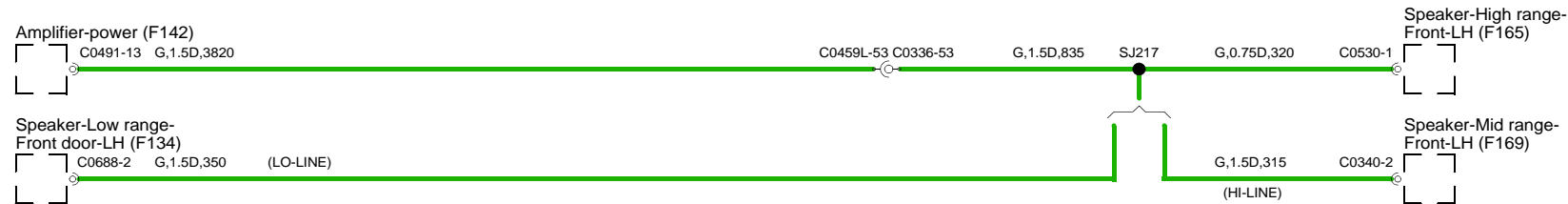
SJ215 (SW) DRIVERS DOOR SJ777 (SW) MAIN



SJ218 (GW) DRIVER DOOR

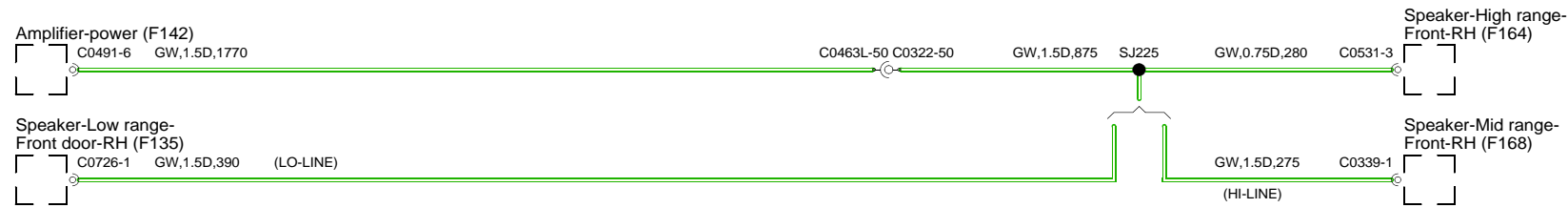


SJ217 (G) DRIVER DOOR

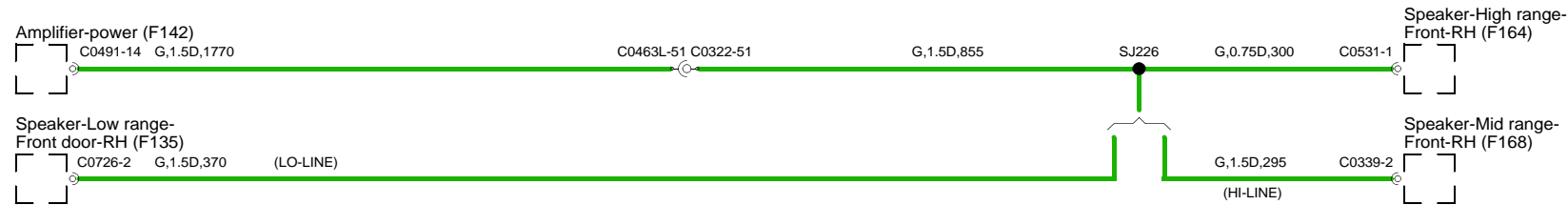




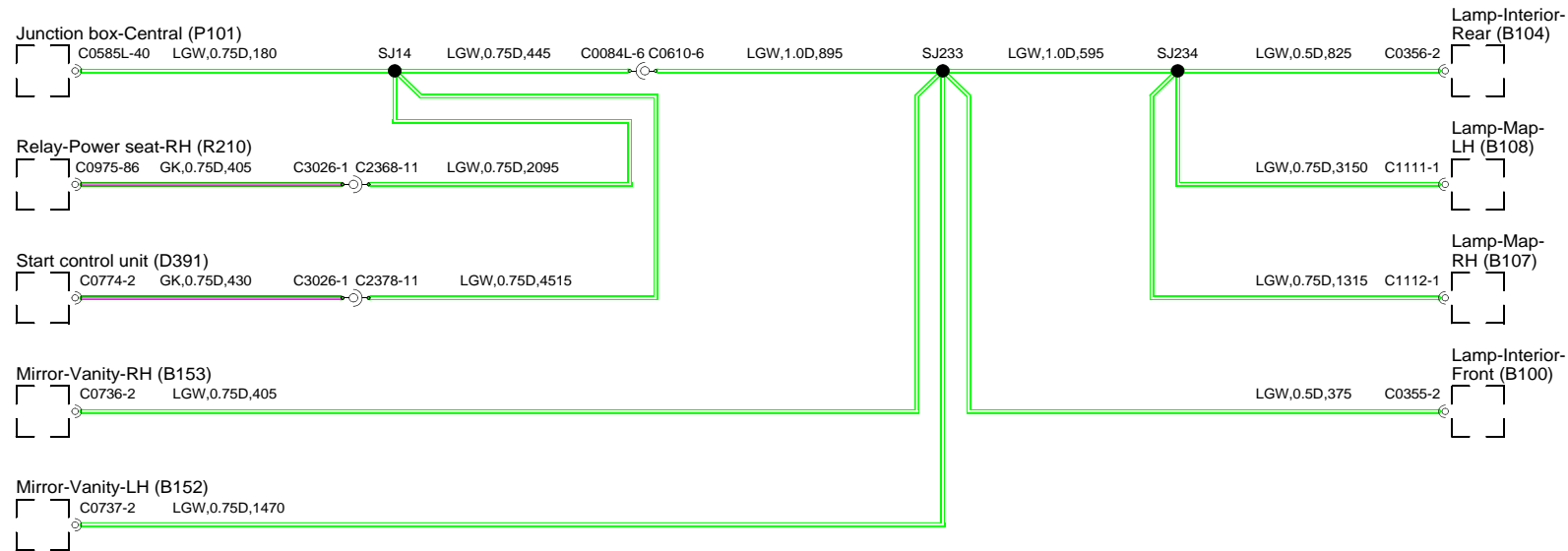
SJ225 (GW) PASSENGER DOOR



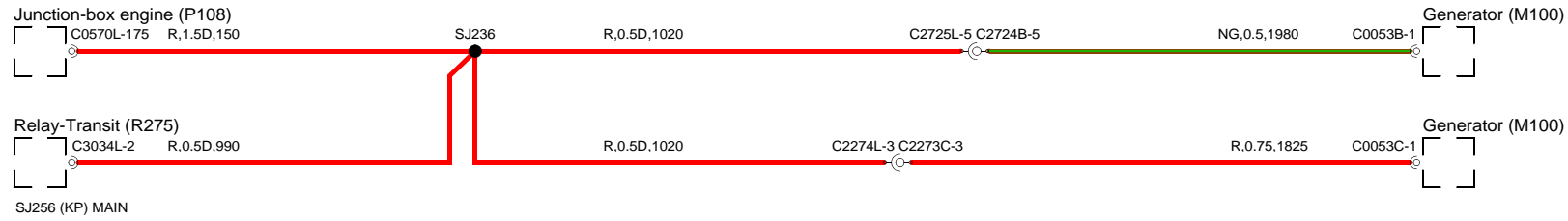
SJ226 (G) PASSENGER DOOR



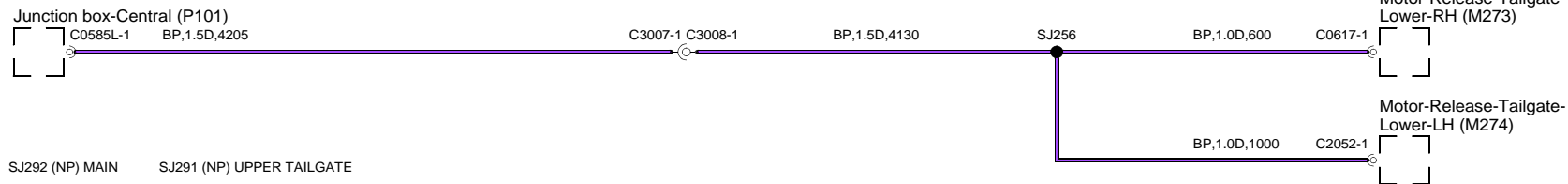
SJ14 (LGW) MAIN SJ233 (LGW) ROOF SJ234 (LGW) ROOF



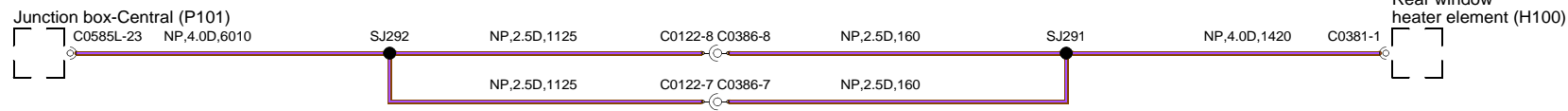
SJ236 (R) ENGINE BAY



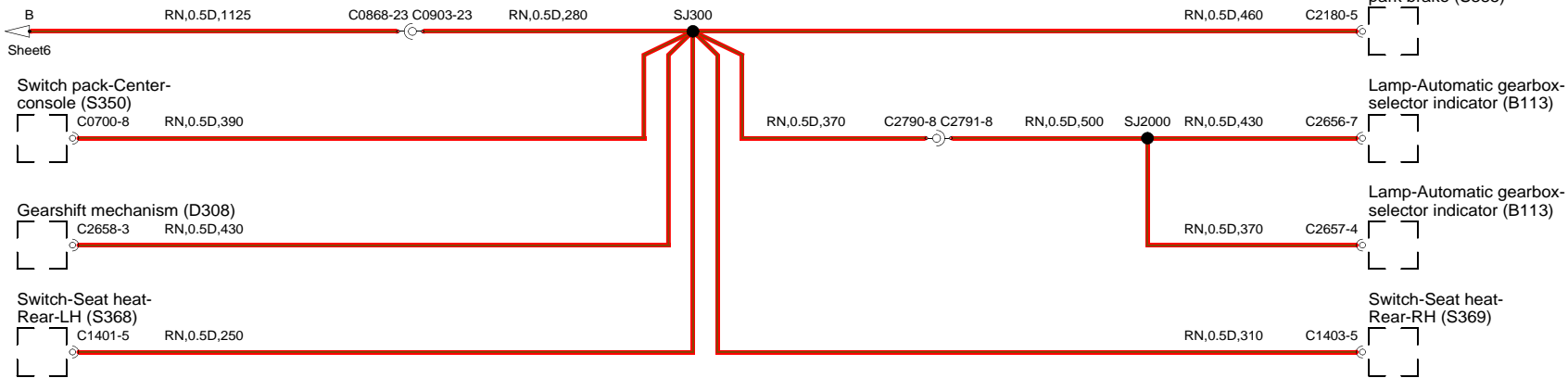
SJ256 (KP) MAIN



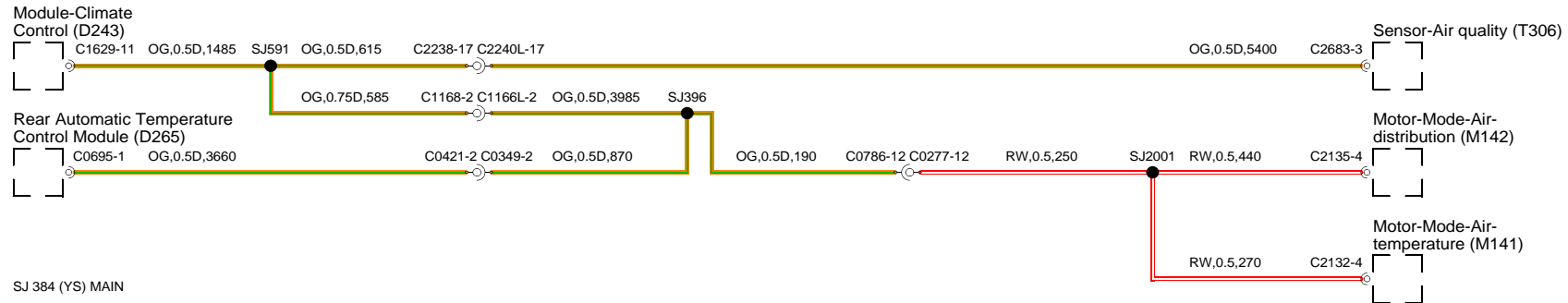
SJ292 (NP) MAIN SJ291 (NP) UPPER TAILGATE



SJ300 (RN) CONSOLE SJ2000 (RN) CONSOLE LINK



SJ591 (OG) FACIA SJ396 (OG) MAIN SJ2001 (OG) REAR AIRCON



SJ 384 (YS) MAIN



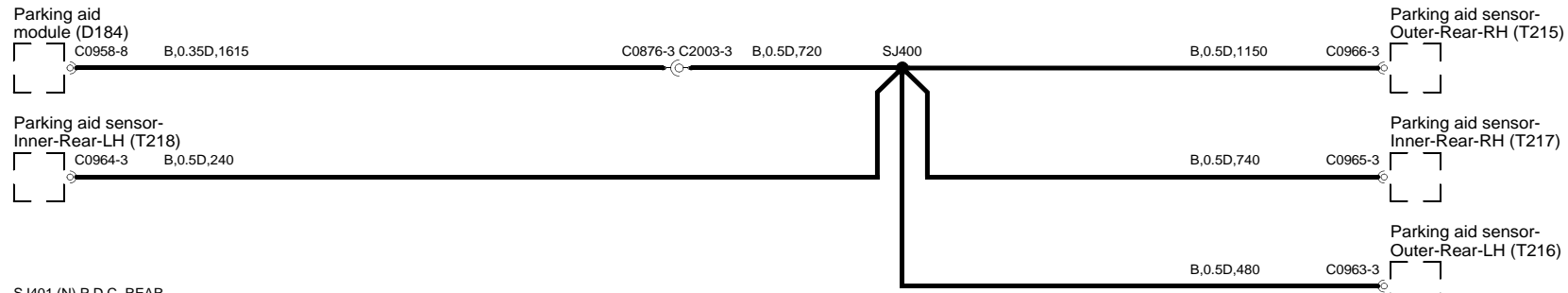
SJ 385 (YS) MAIN



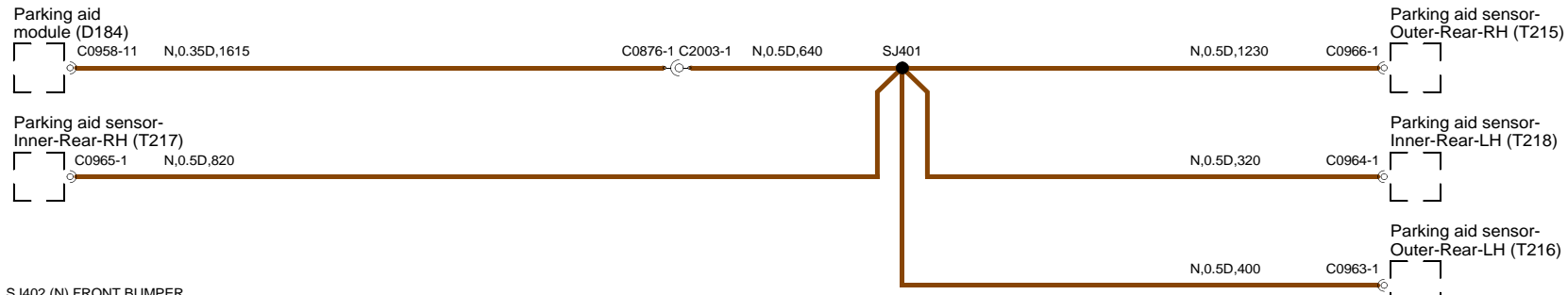
SJ551 (RG) FACIA



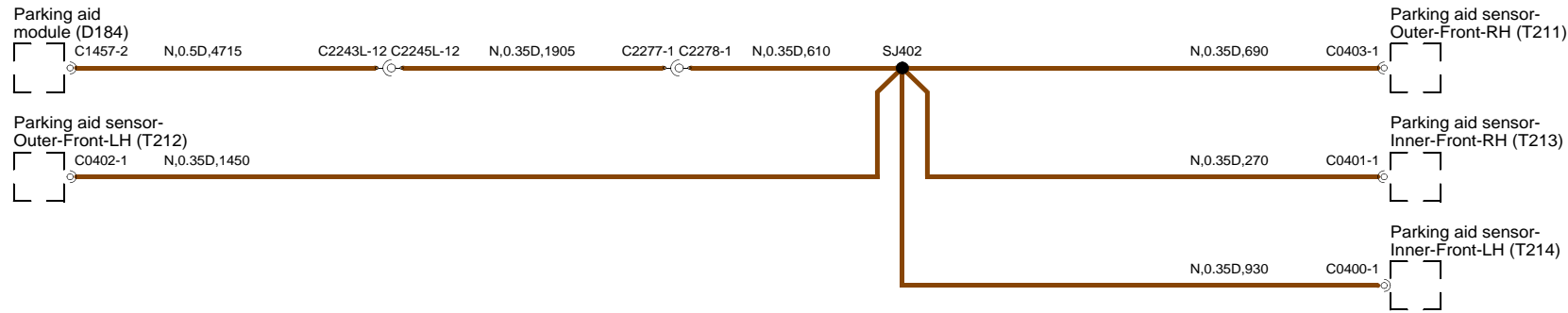
SJ400 (B) P.D.C. REAR



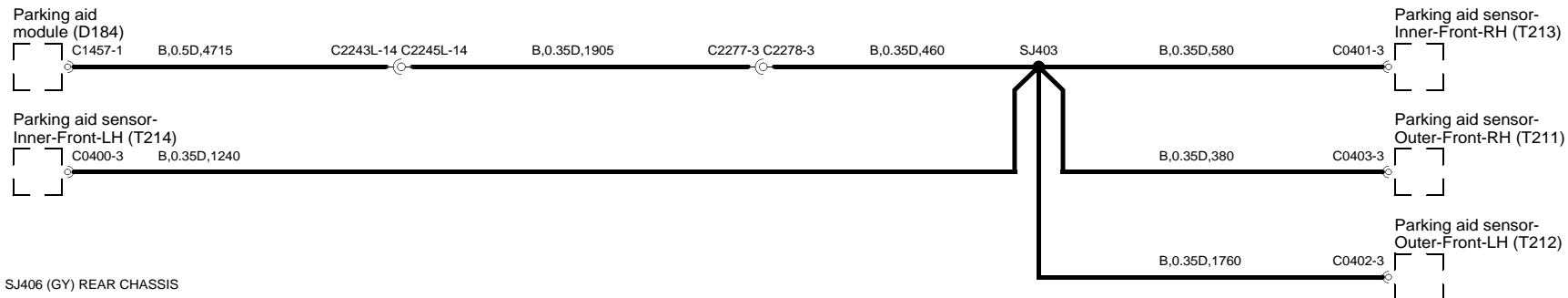
SJ401 (N) P.D.C. REAR



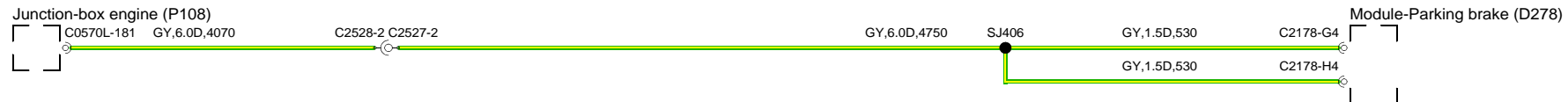
SJ402 (N) FRONT BUMPER



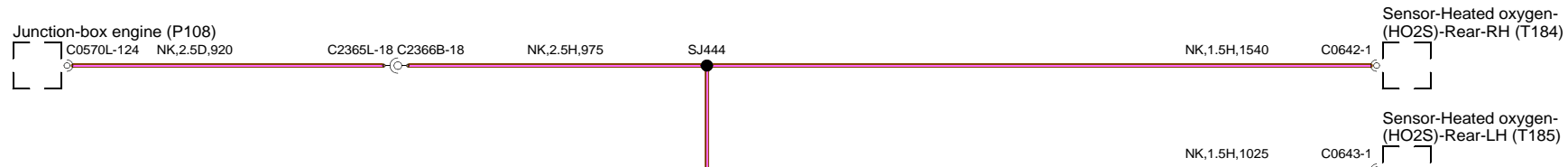
SJ403 (B) FRONT BUMPER



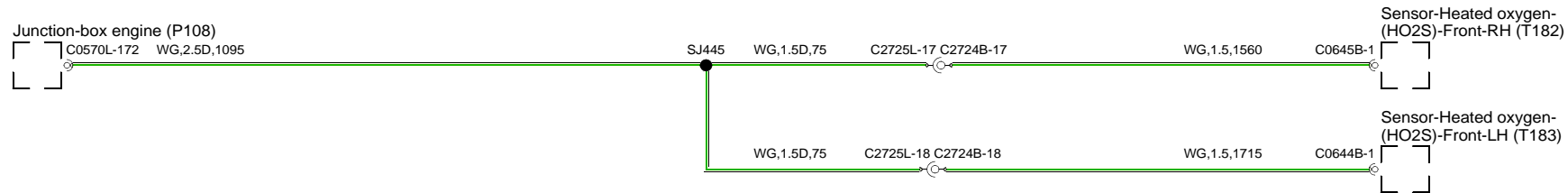
SJ406 (GY) REAR CHASSIS



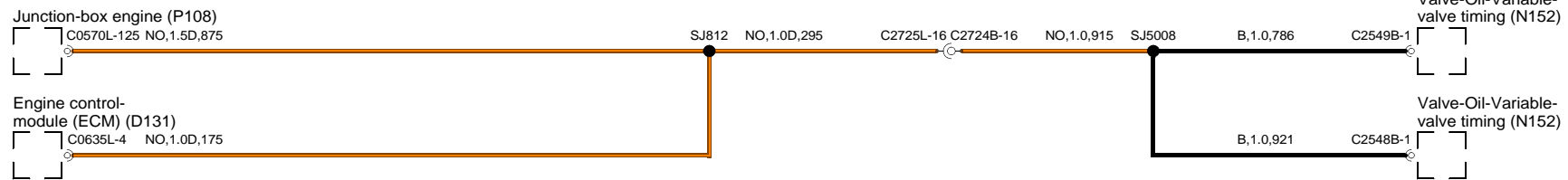
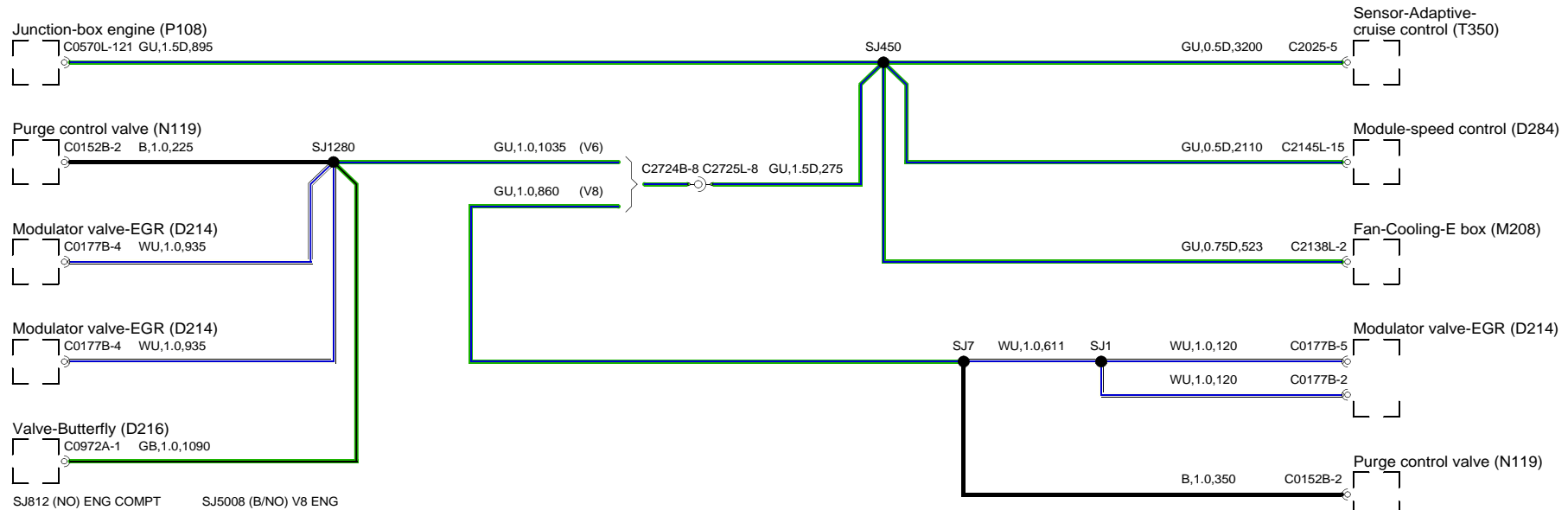
SJ444 (NK) TRANSMISSION AUTO



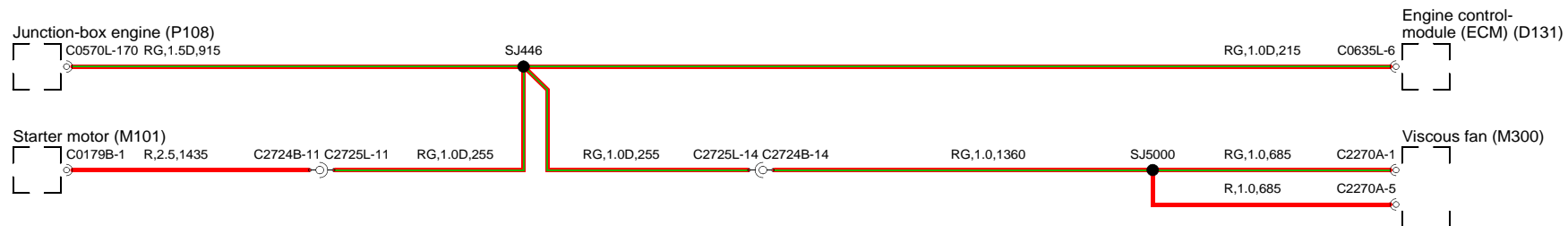
SJ445 (NK) ENGINE BAY



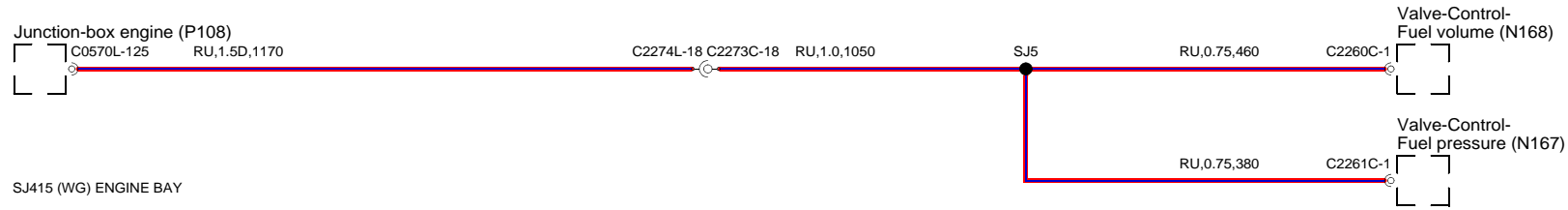
SJ450 (NK) ENGINE BAY SJ1280 (NK) V6 PETROL SJ7 (B) ENGINE-V8 SJ1 (WU) ENGINE-V8



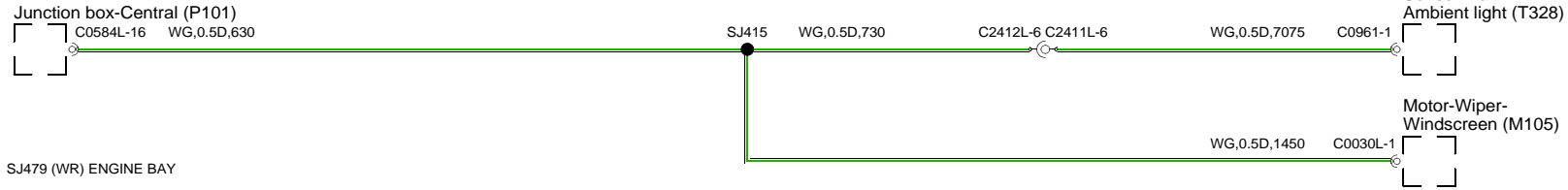
SJ446 (RG) ENGINE BAY SJ5000 (RG) PETROL V6



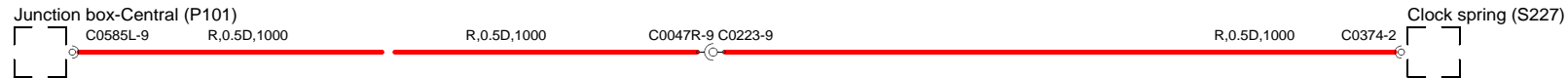
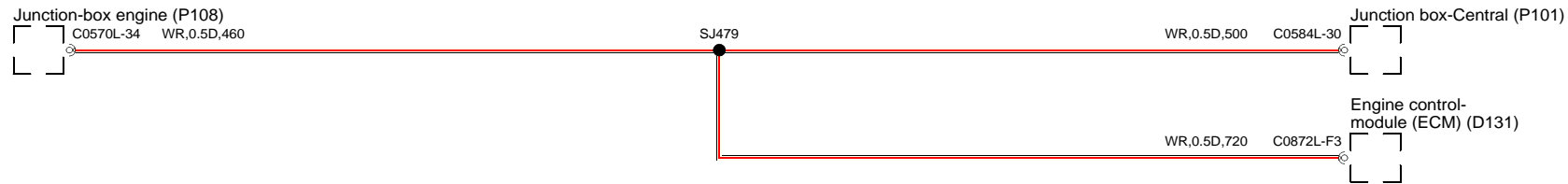
SJ5 (RU) ENGINE



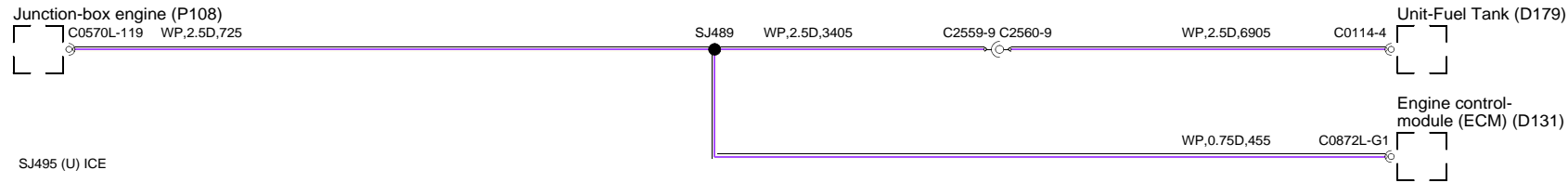
SJ415 (WG) ENGINE BAY



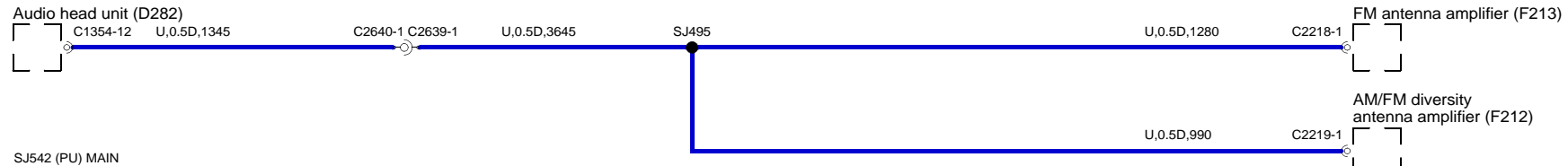
SJ479 (WR) ENGINE BAY



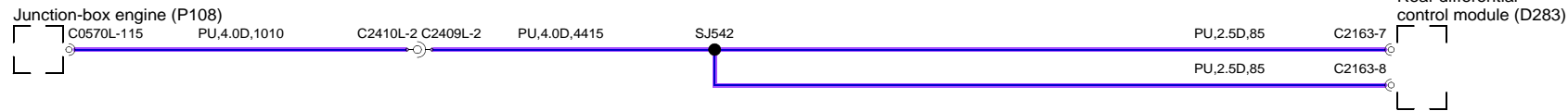
SJ489 (WP) ENGINE BAY



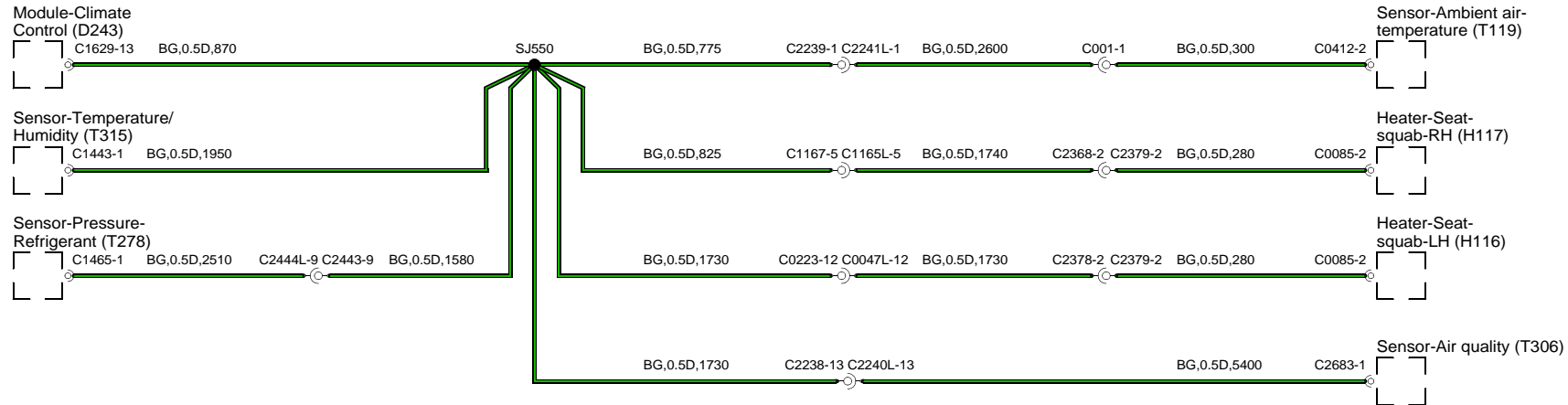
SJ495 (U) ICE



SJ542 (PU) MAIN



SJ550 (BG) FACIA





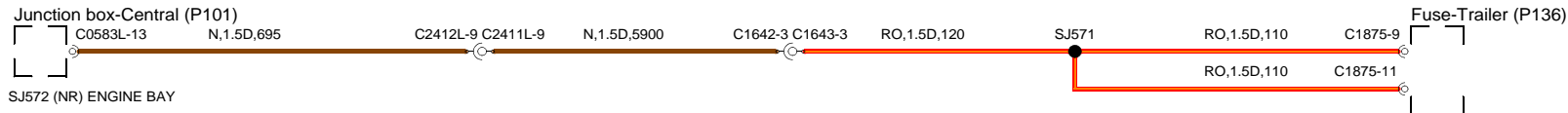
SJ559 (RU) ENGINE BAY



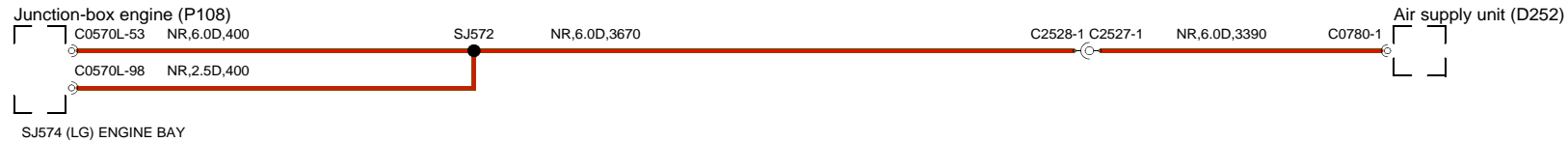
SJ570 (P) TRAILER LINK



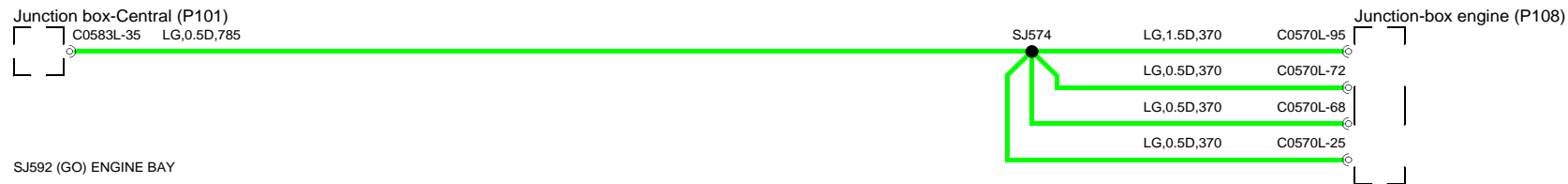
SJ571 (RO) TRAILER LINK



SJ572 (NR) ENGINE BAY



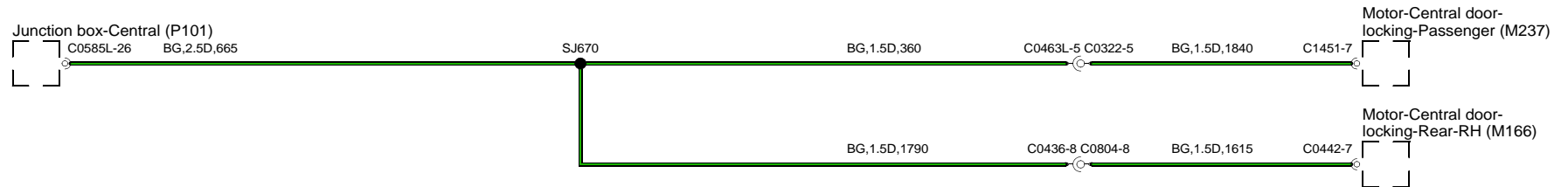
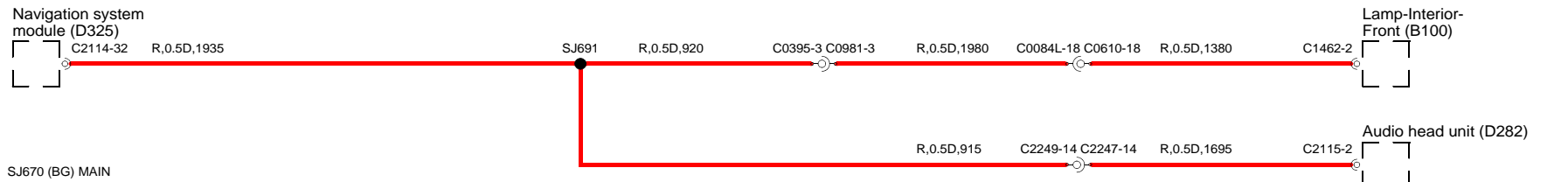
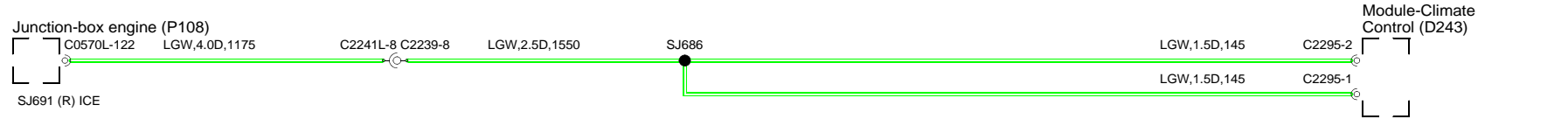
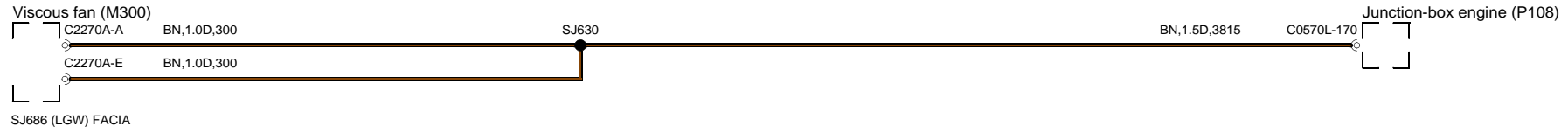
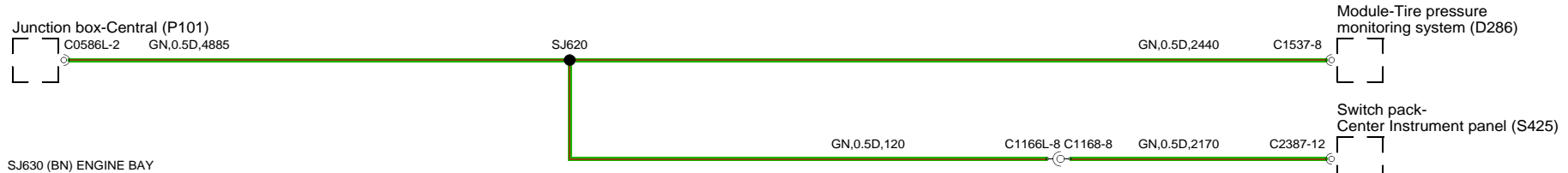
SJ574 (LG) ENGINE BAY

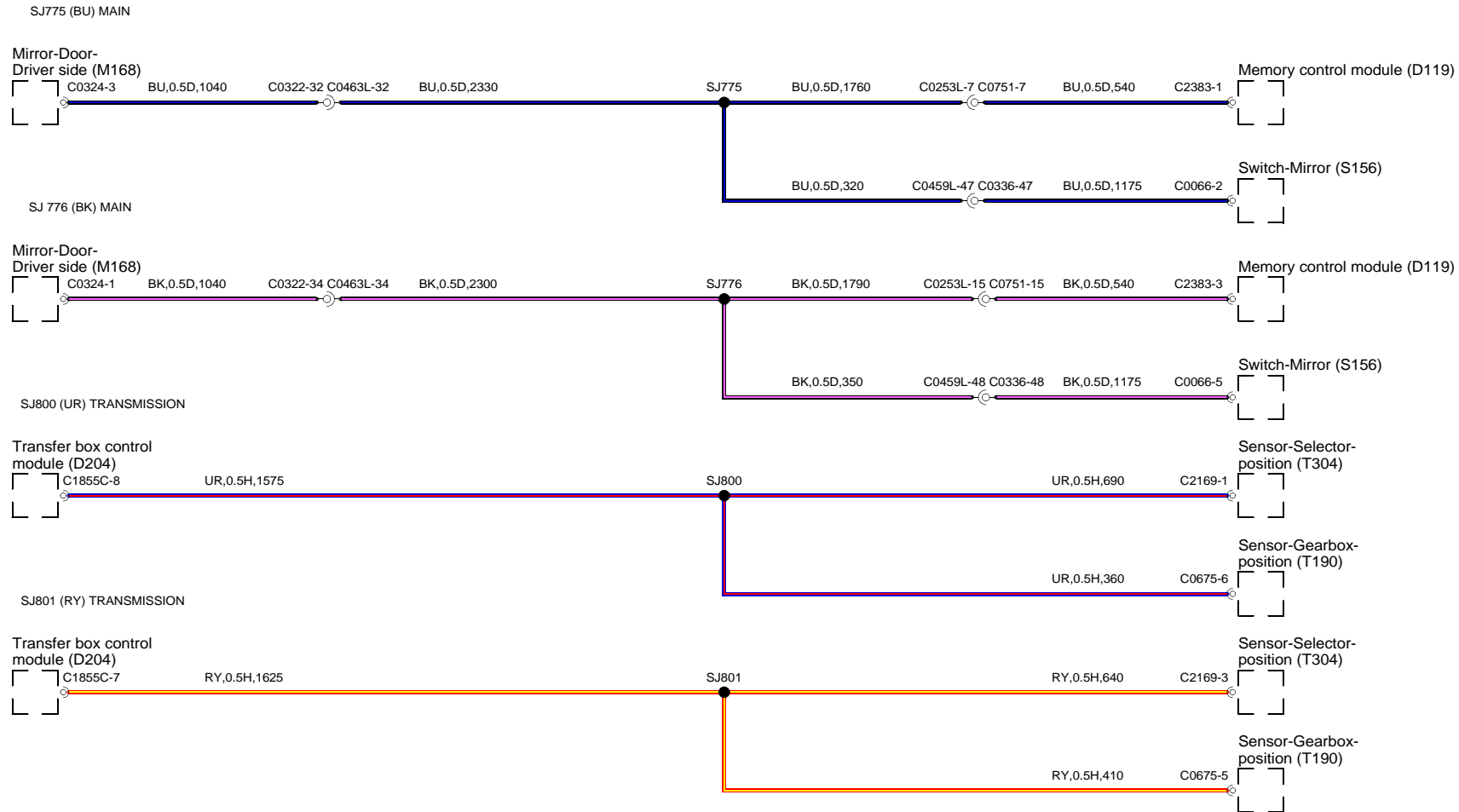


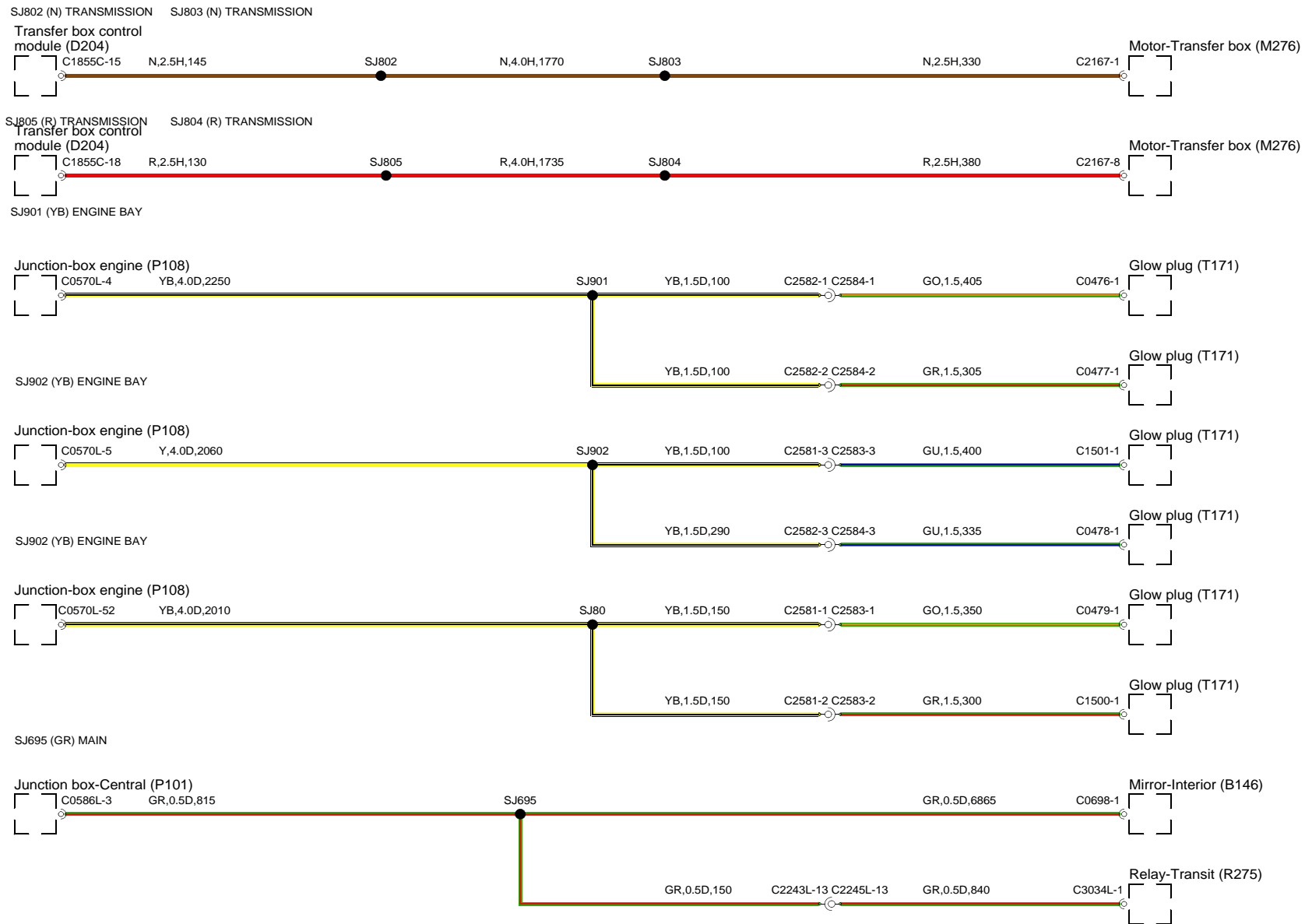
SJ592 (GO) ENGINE BAY



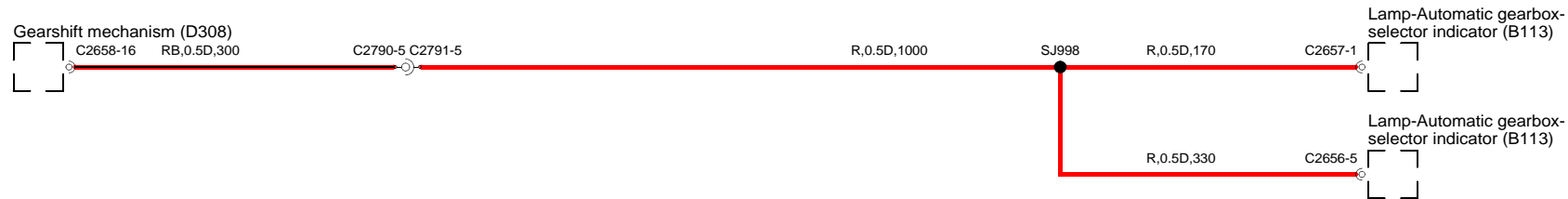
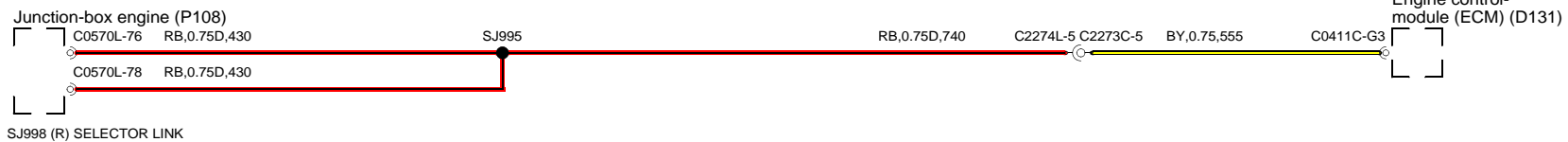
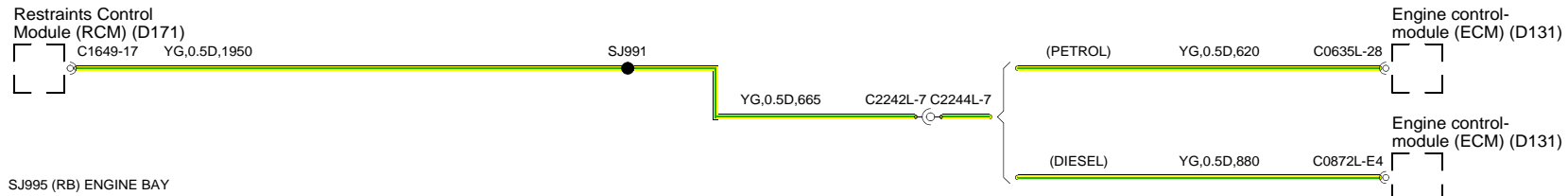
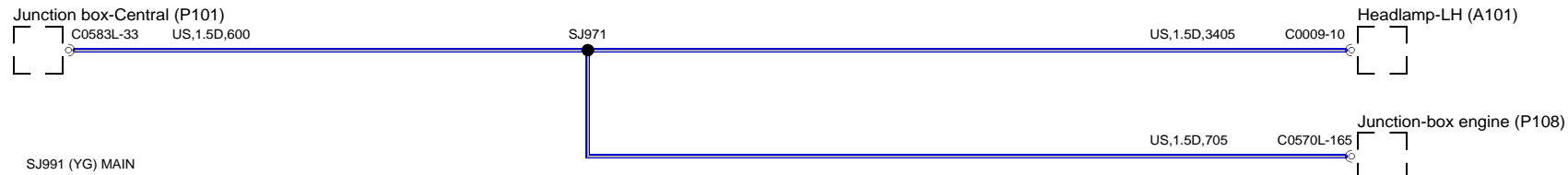
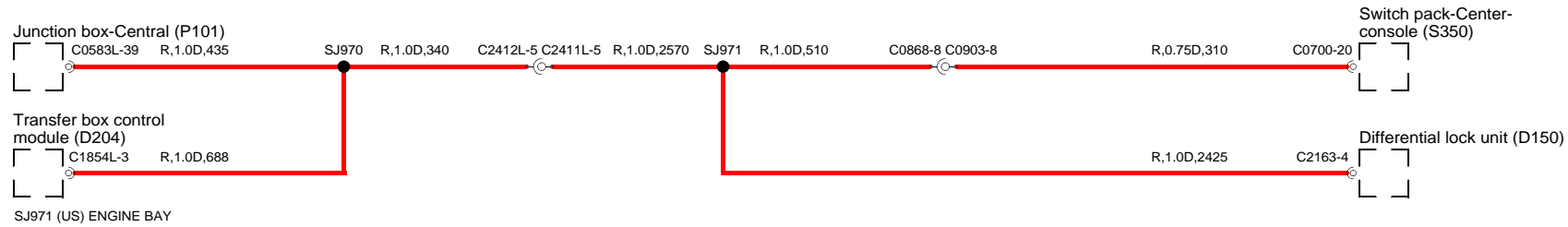
SJ620 (GN) MAIN



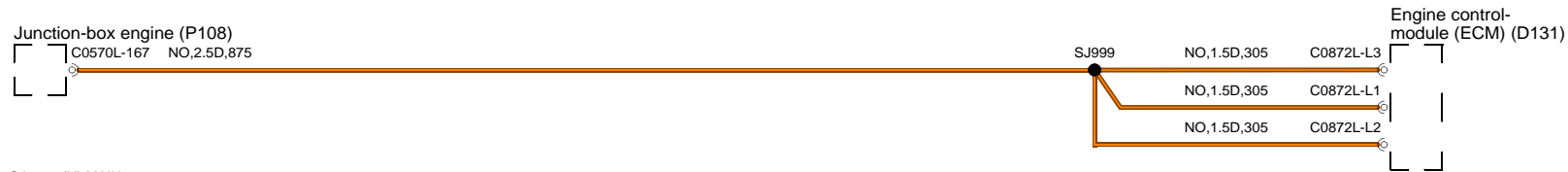




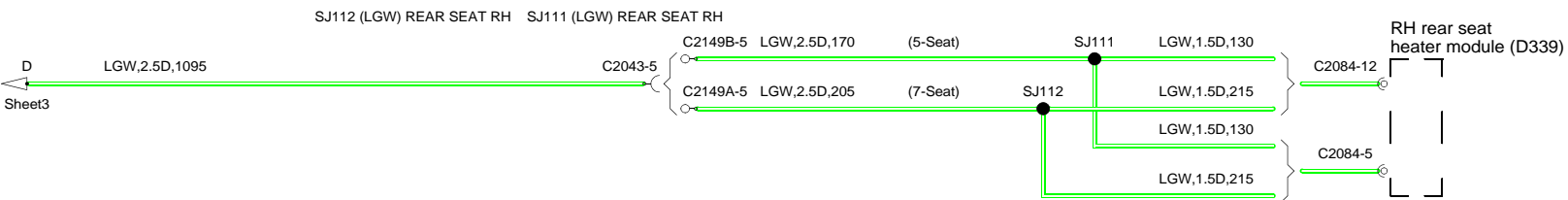
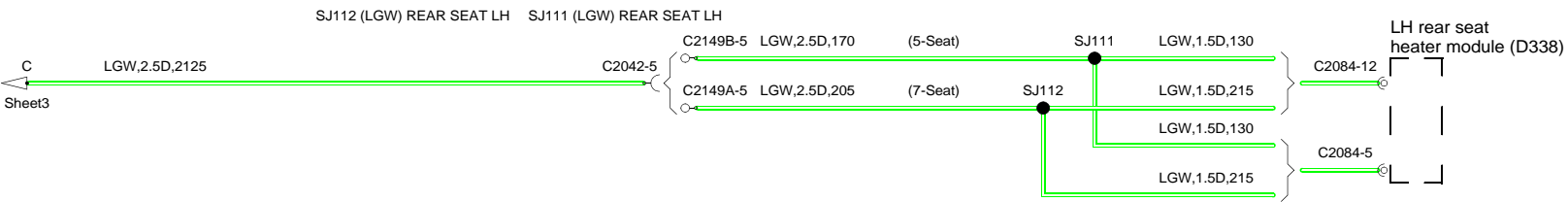
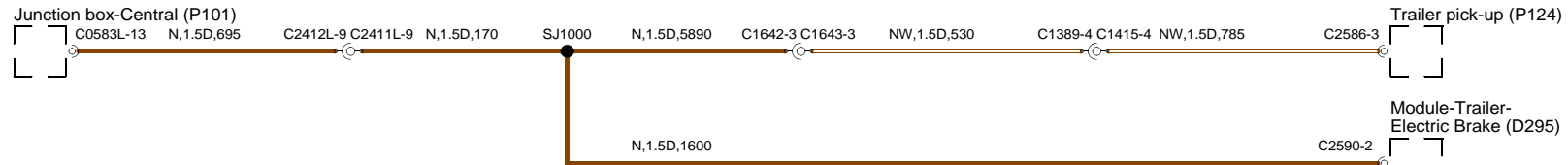
SJ970 (R) ENGINE BAY SJ971 (R) MAIN



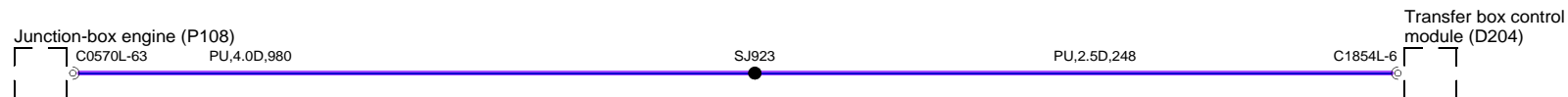
SJ999 (NO) ENGINE BAY

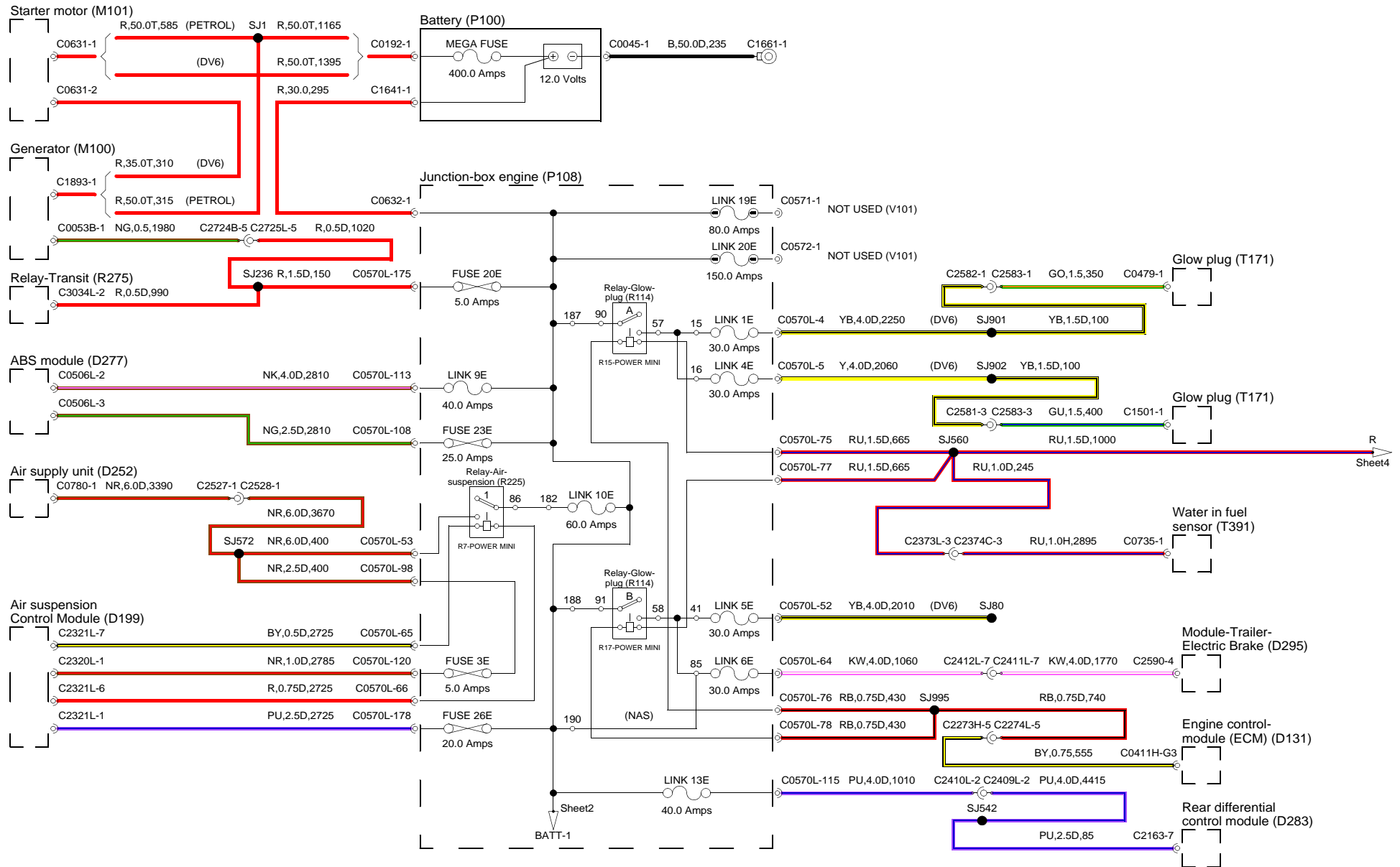


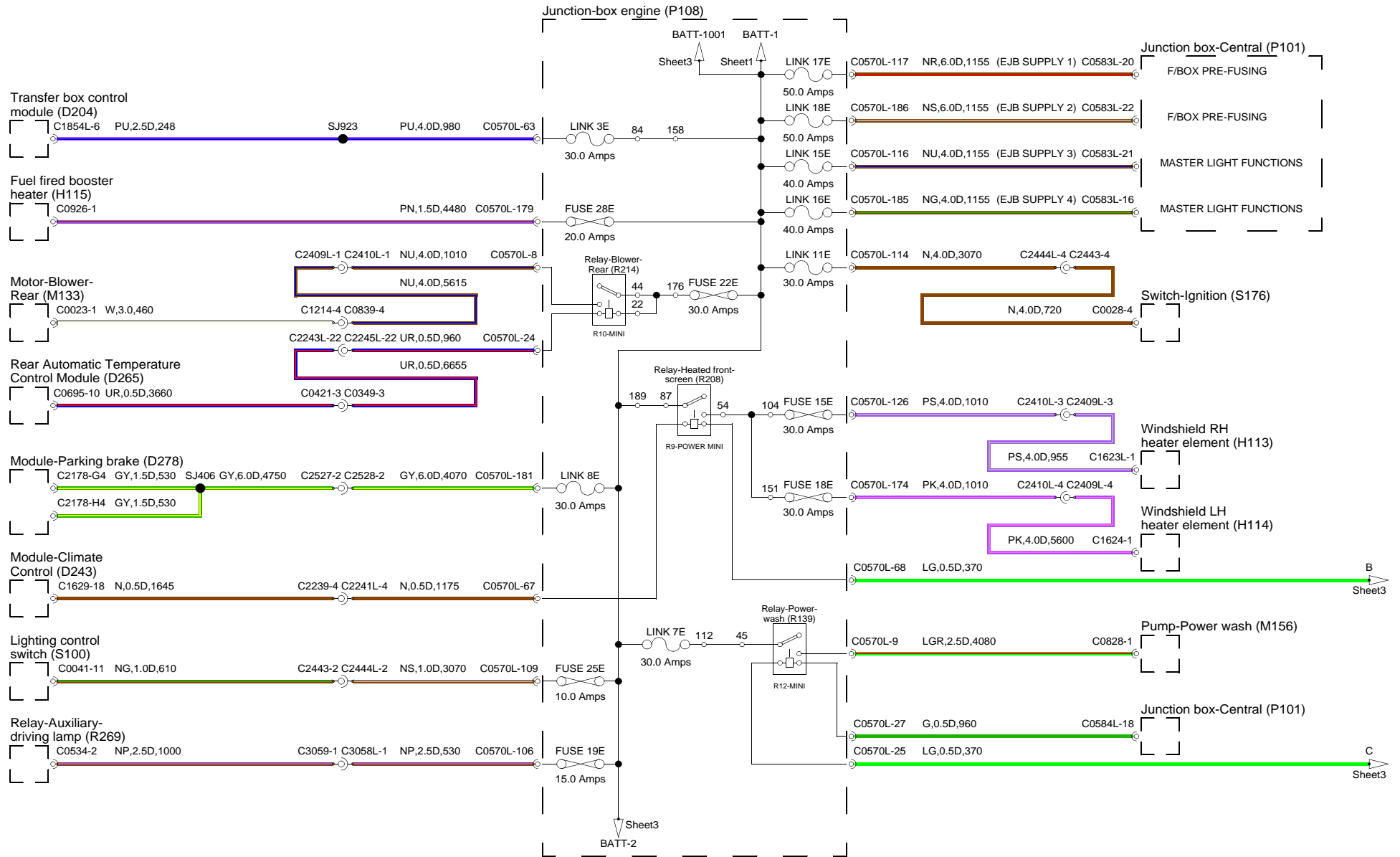
SJ1000 (N) MAIN



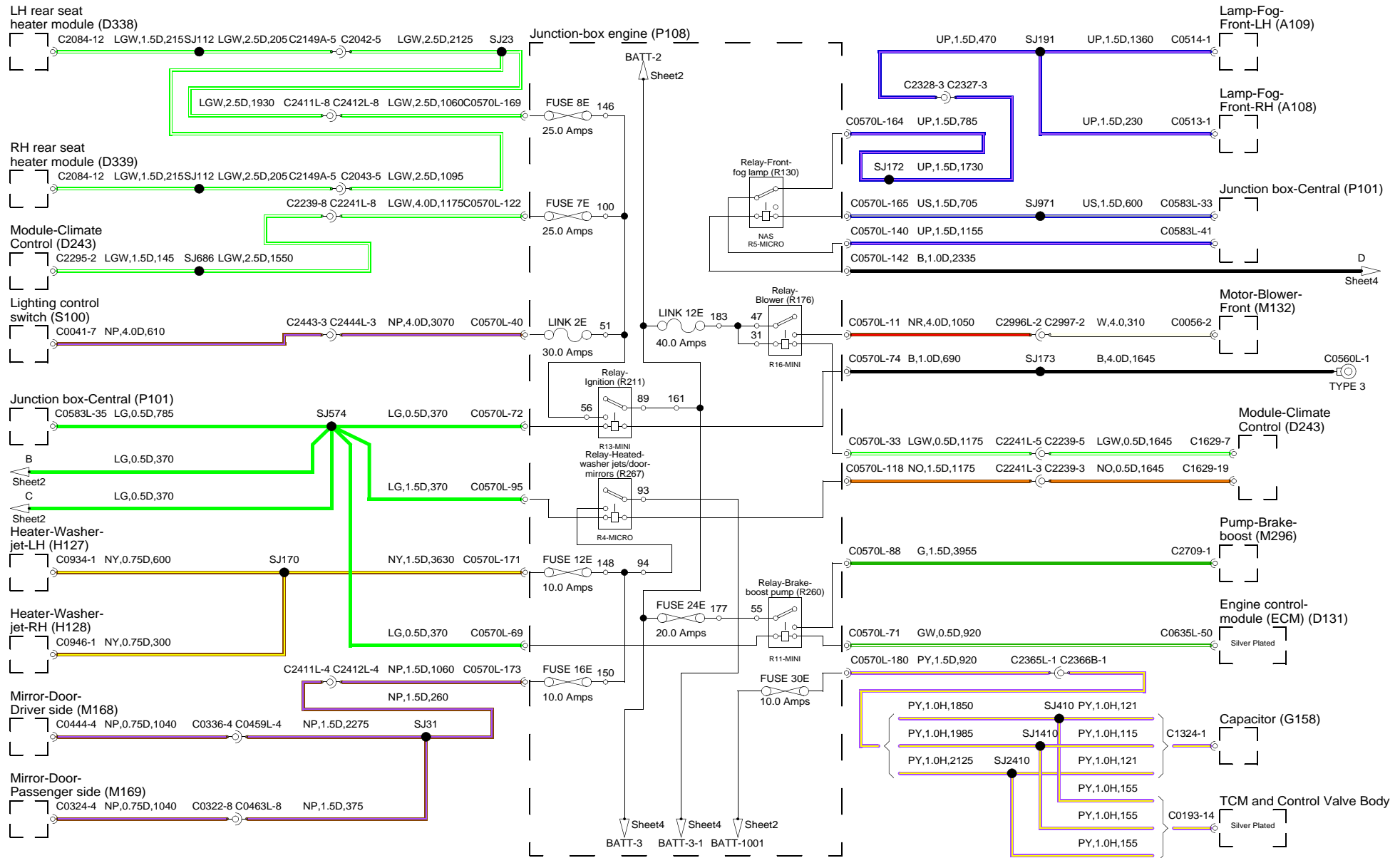
SJ923 (PU) ENGINE BAY

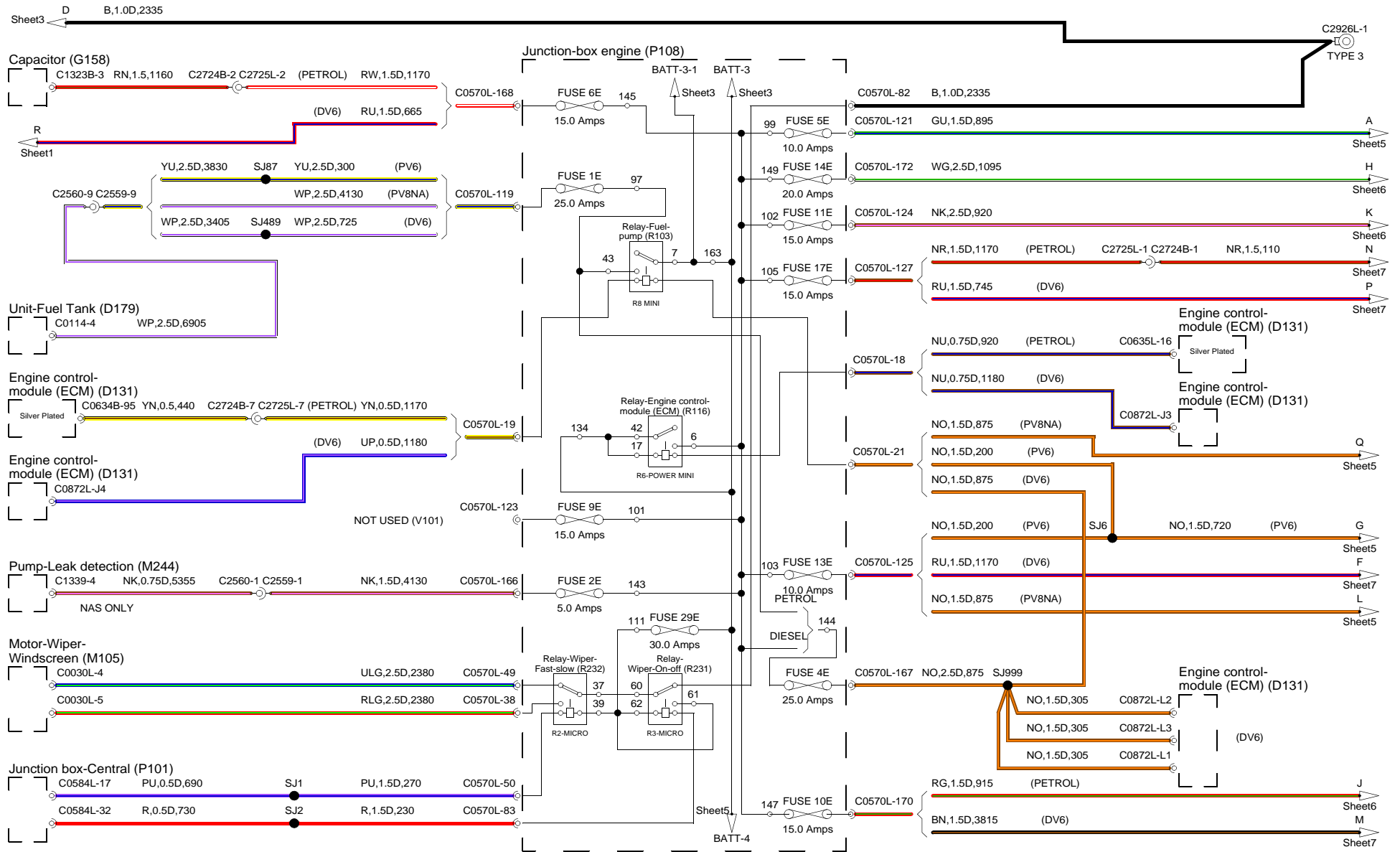


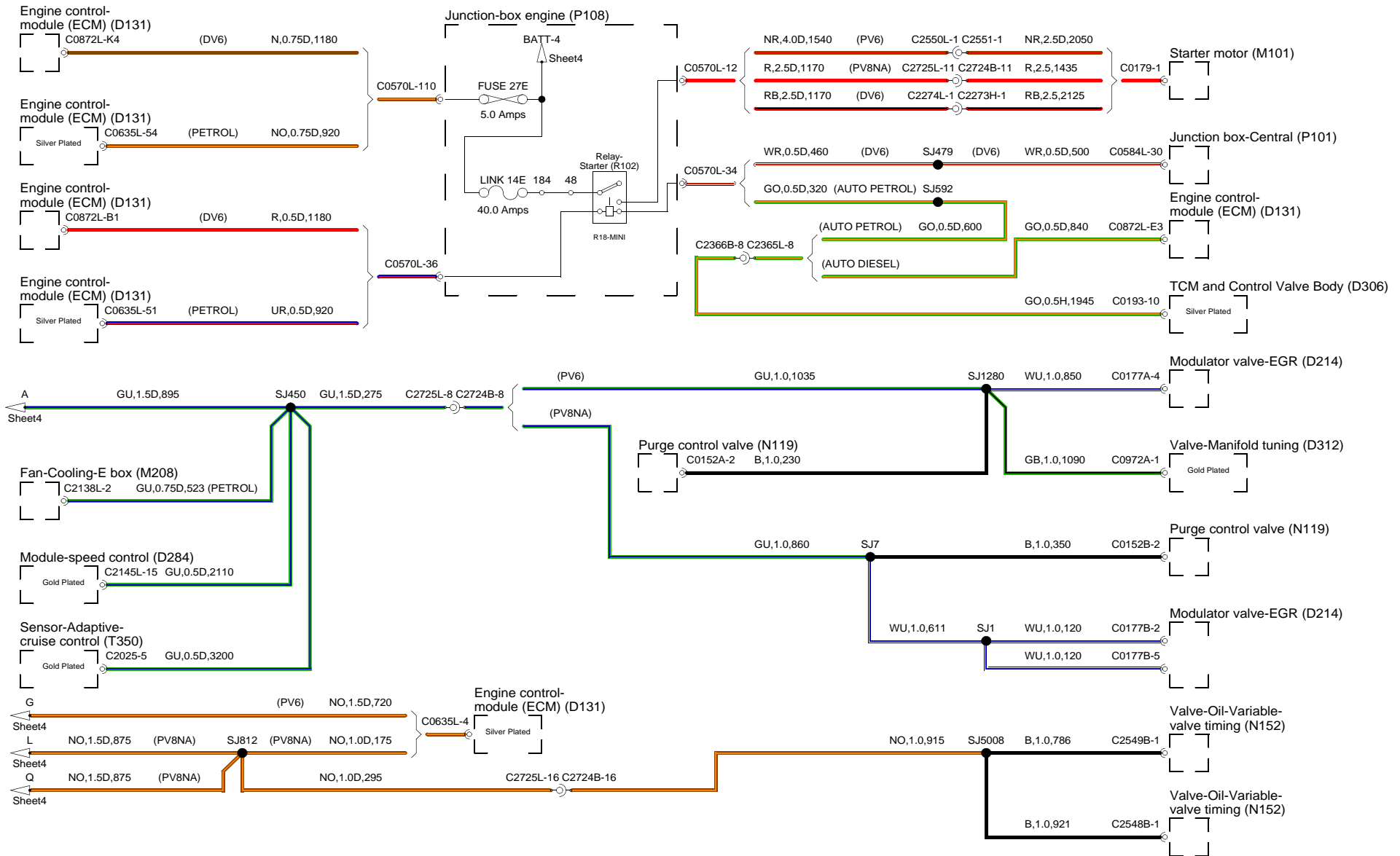


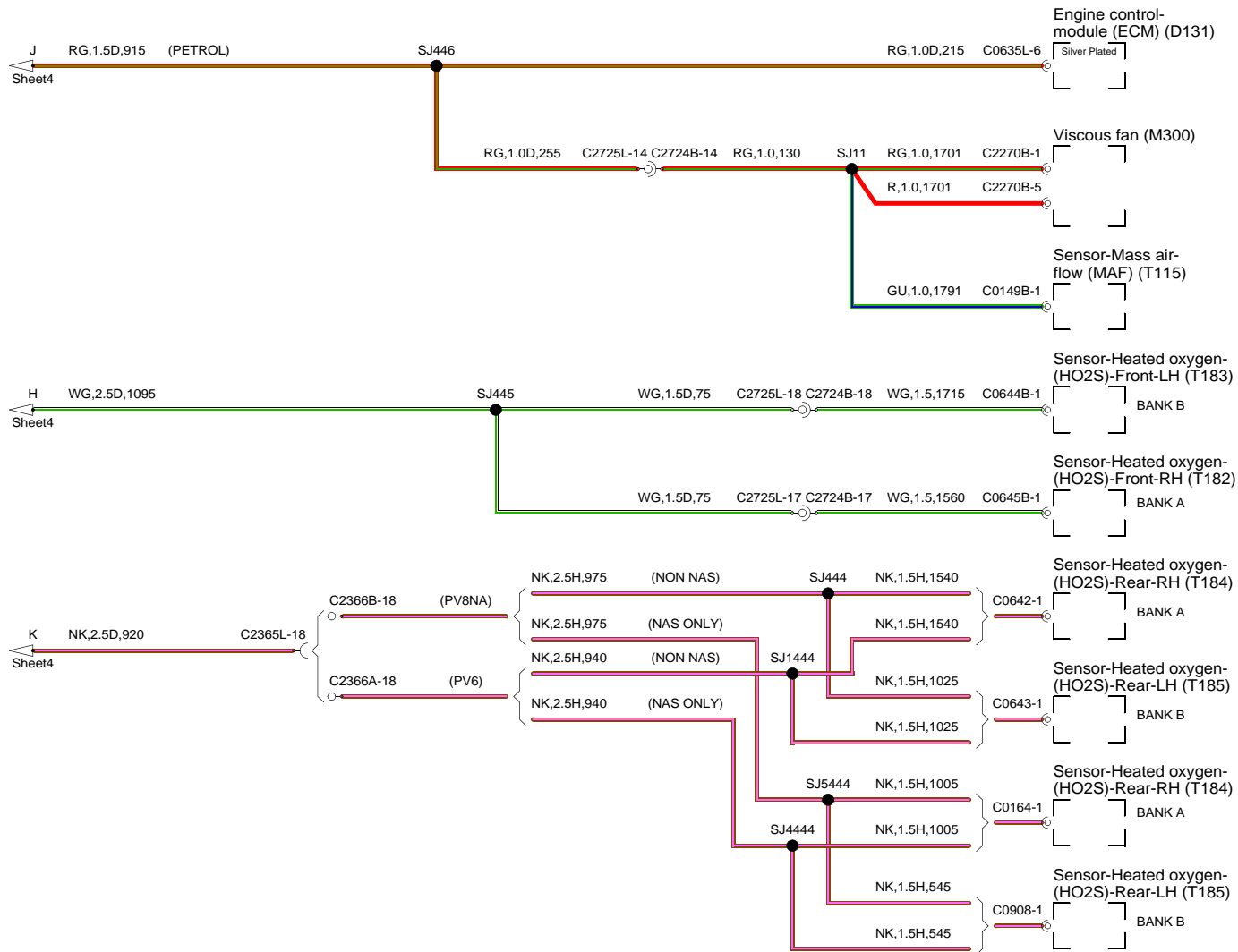


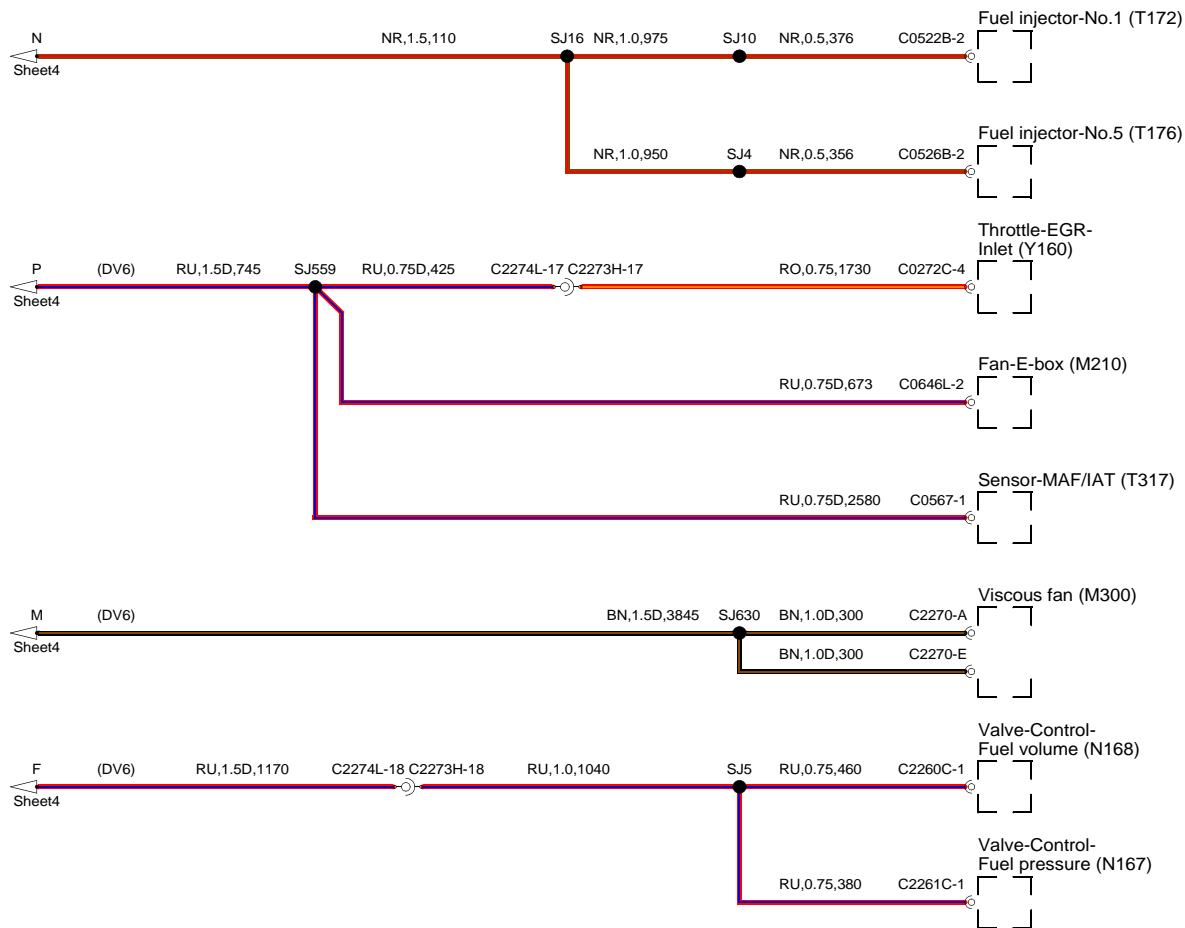


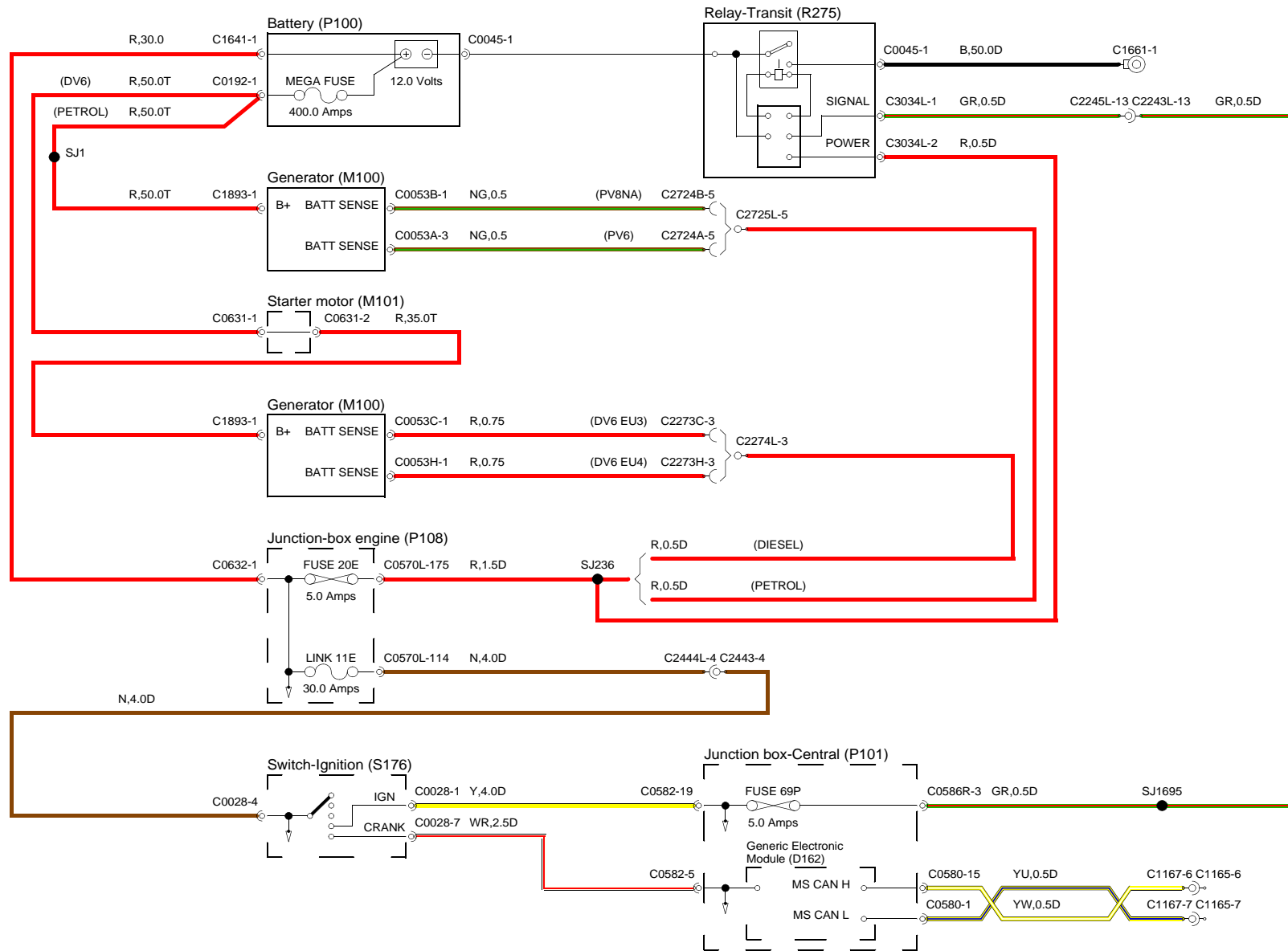


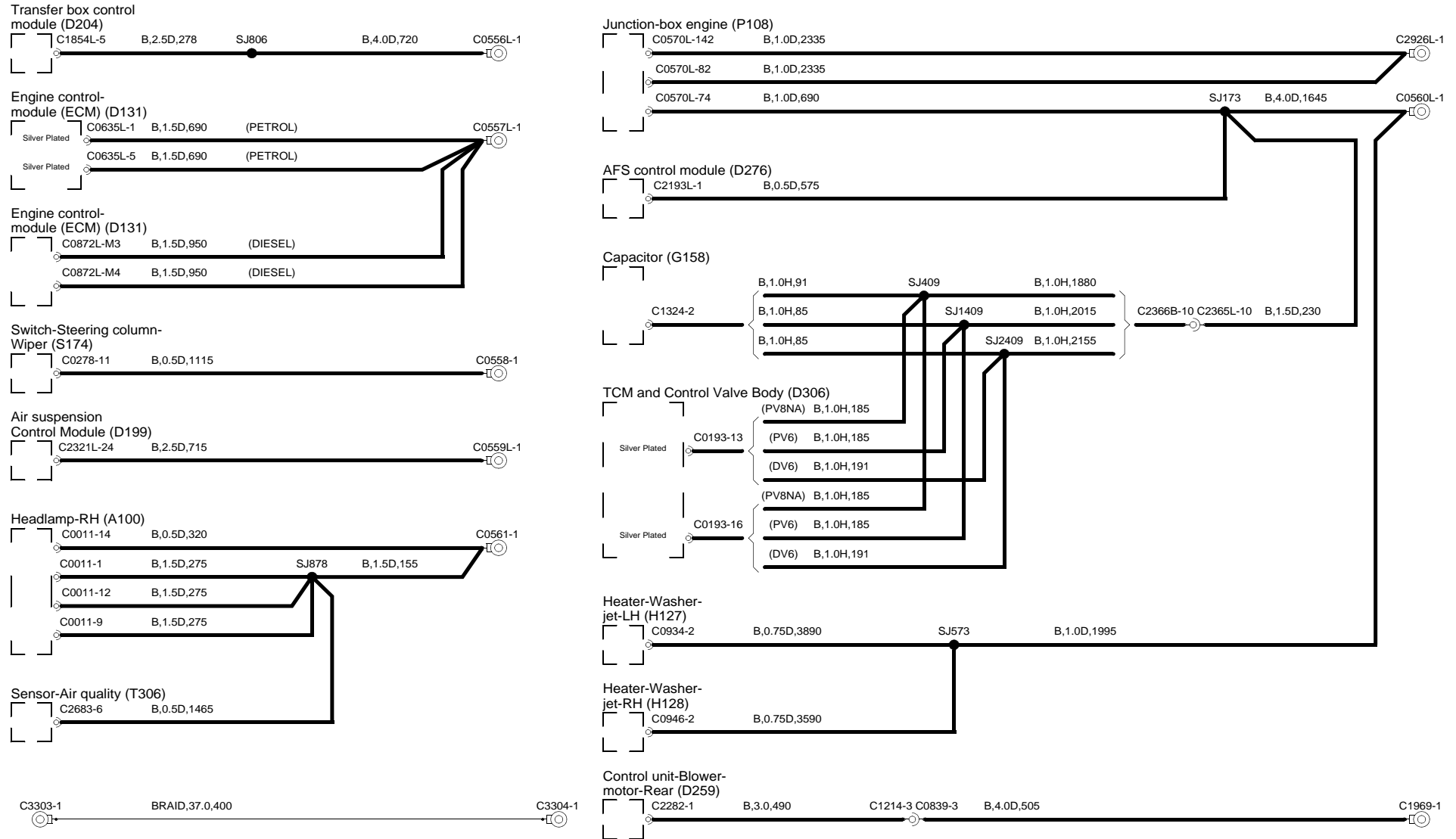


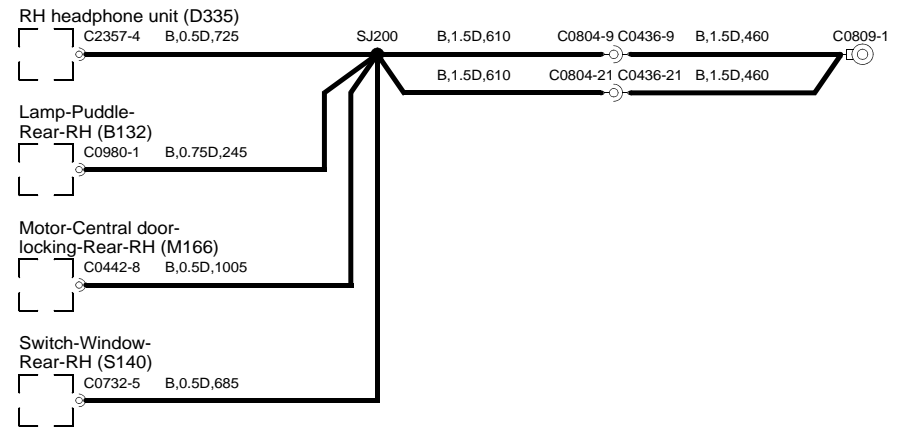
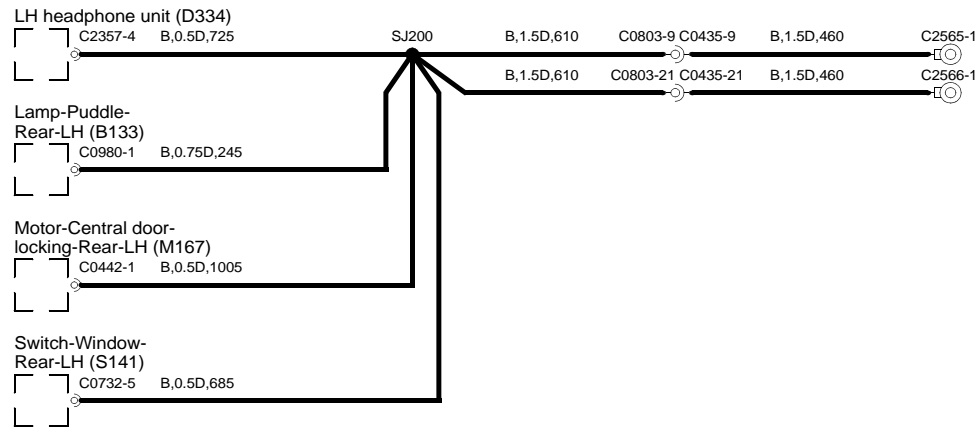
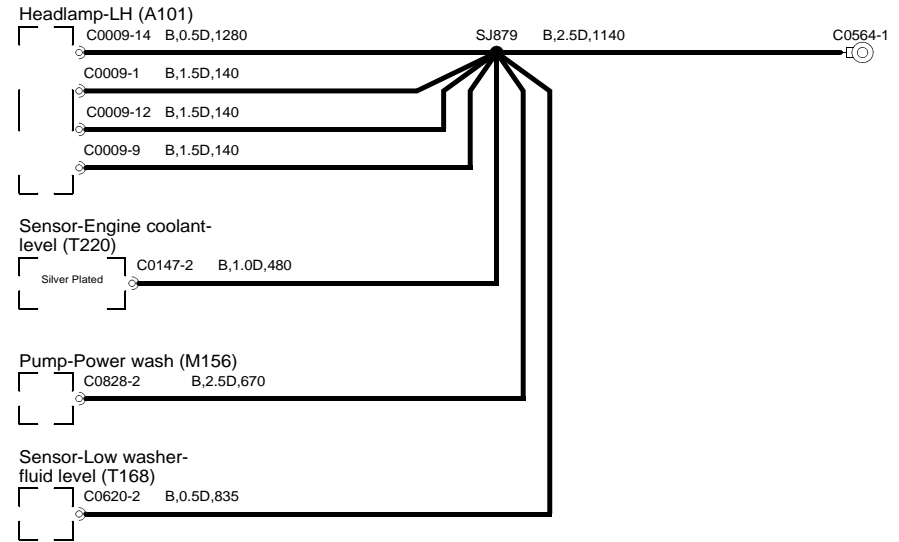
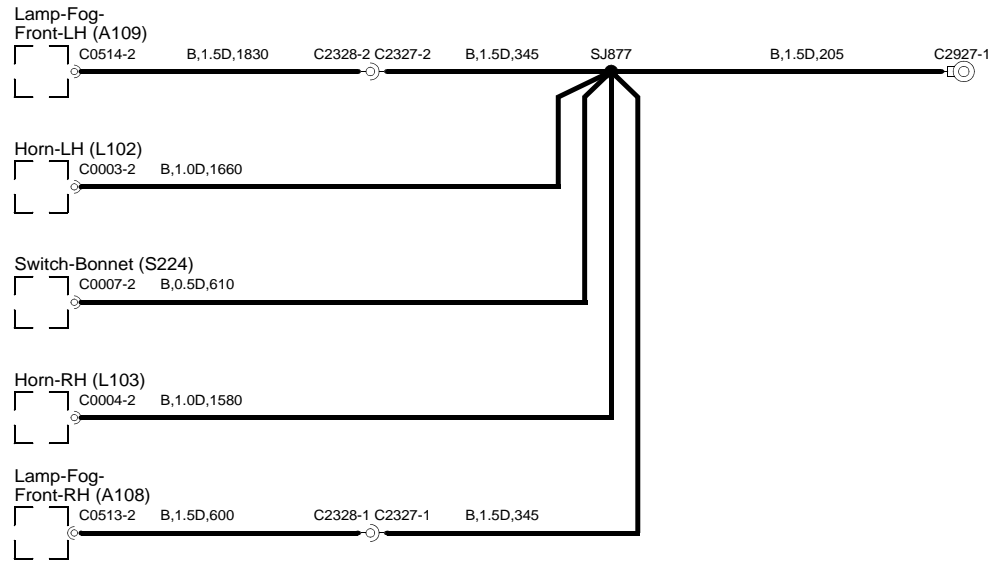






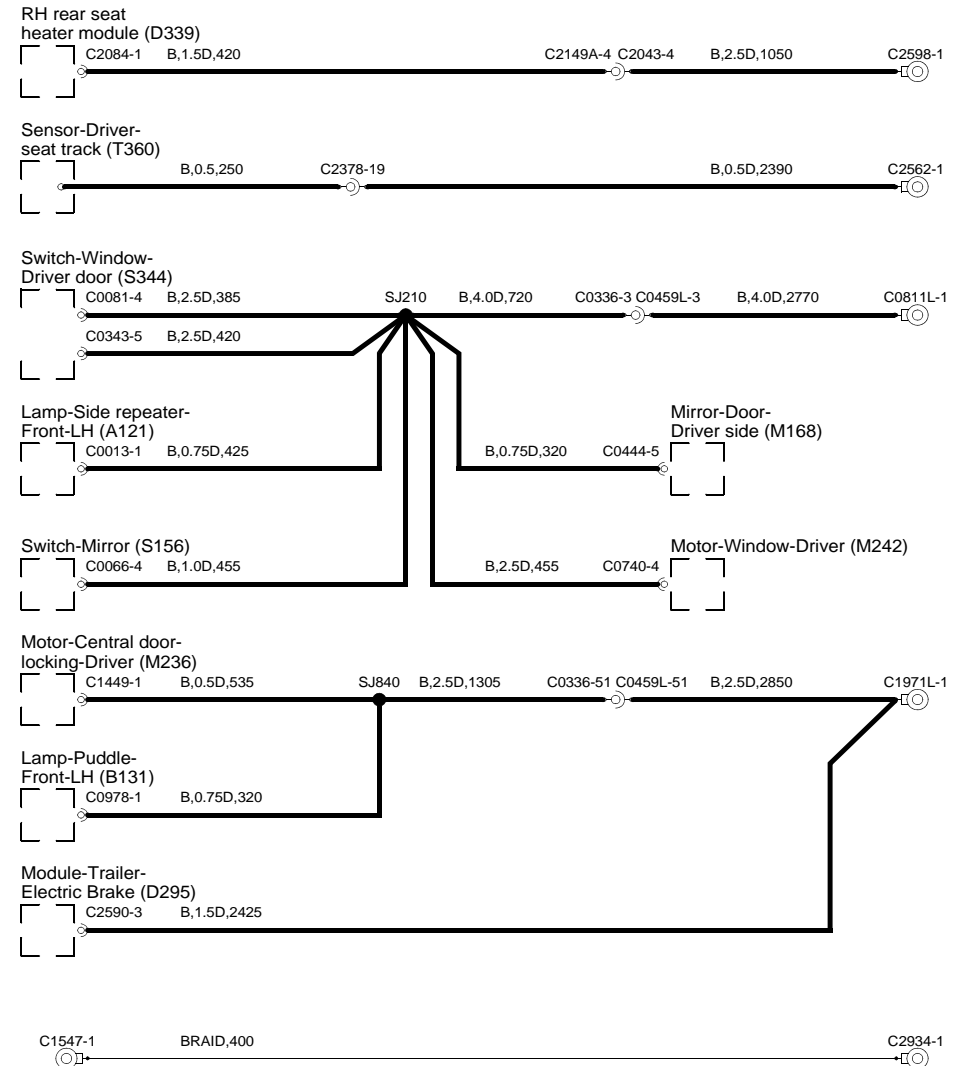
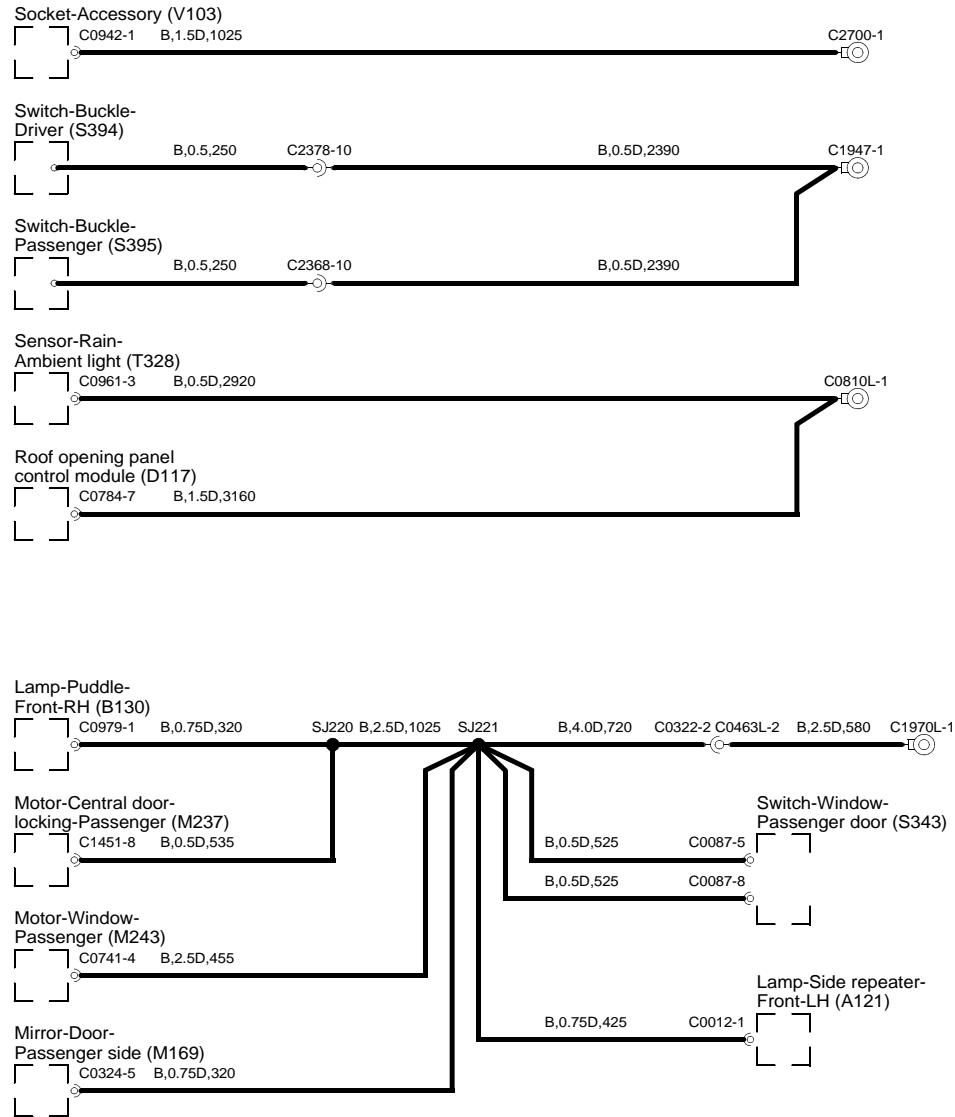


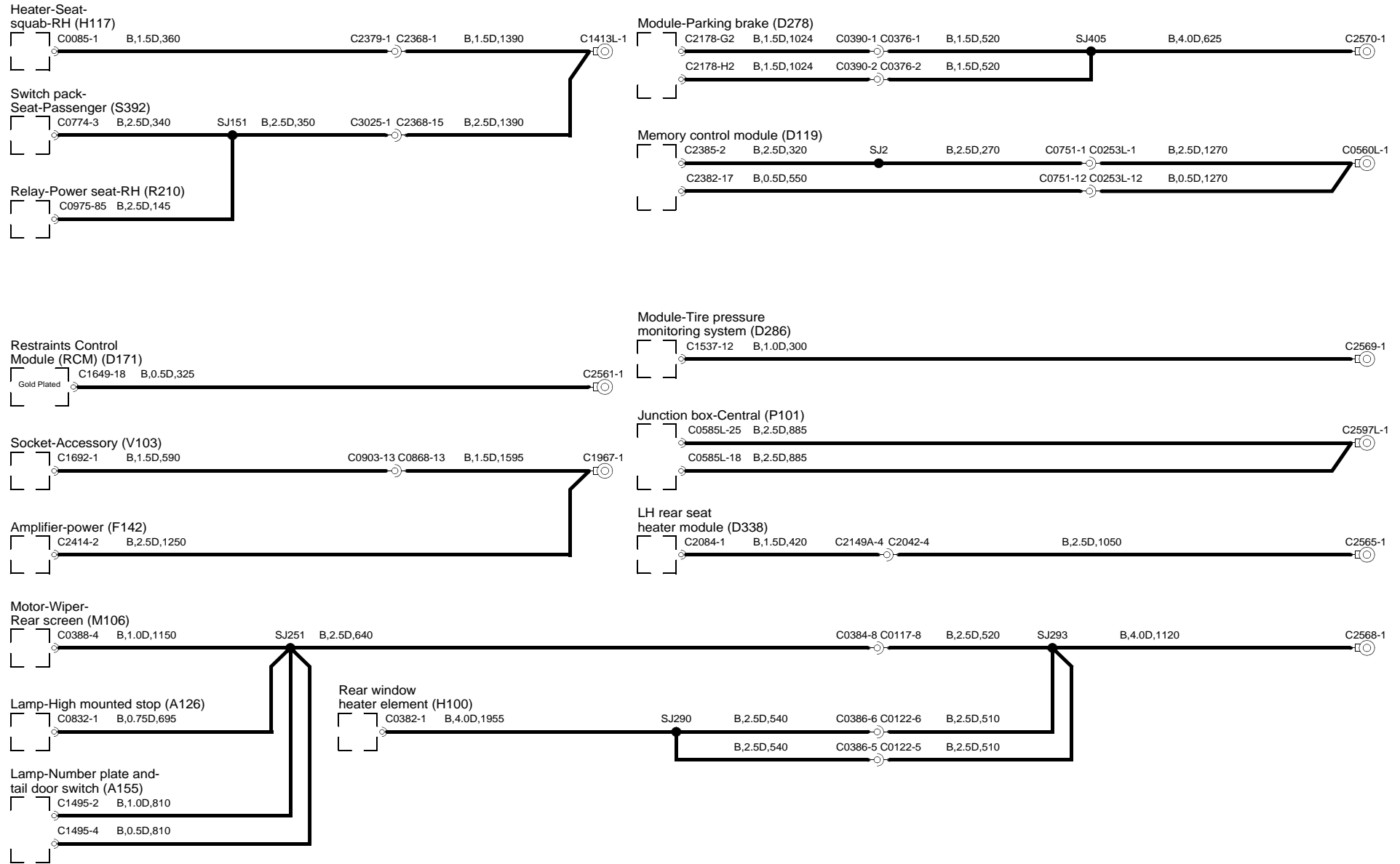


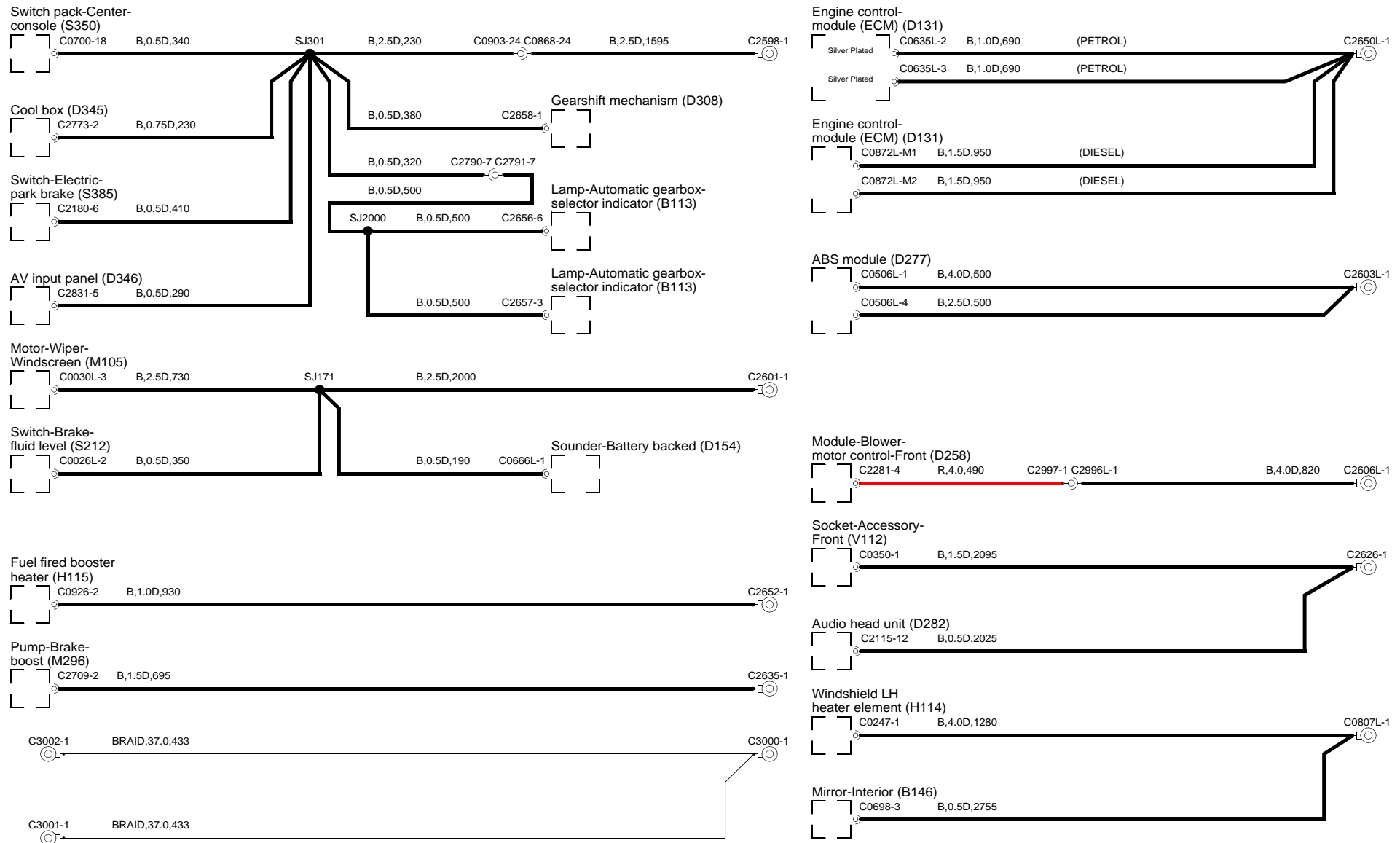


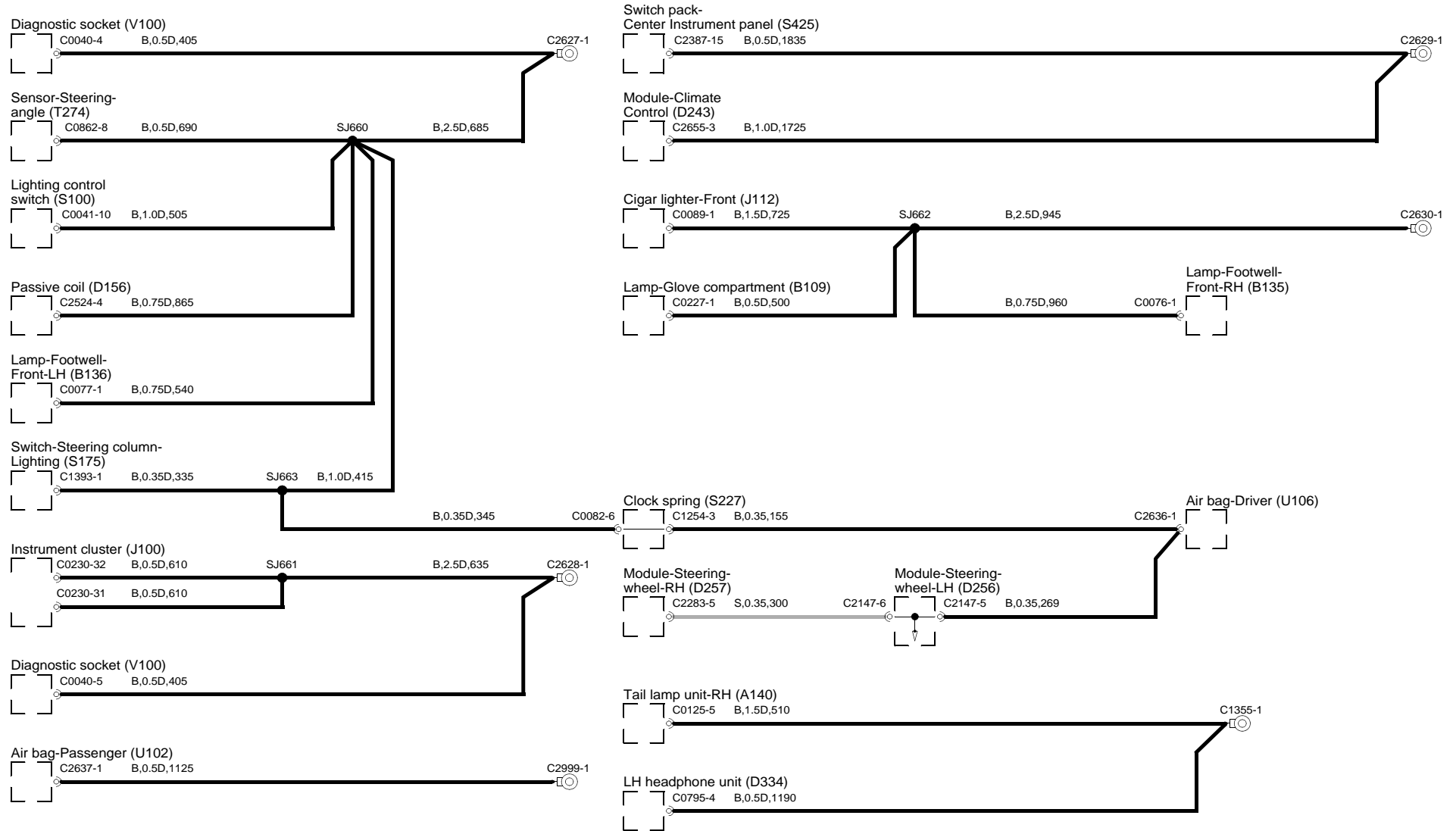


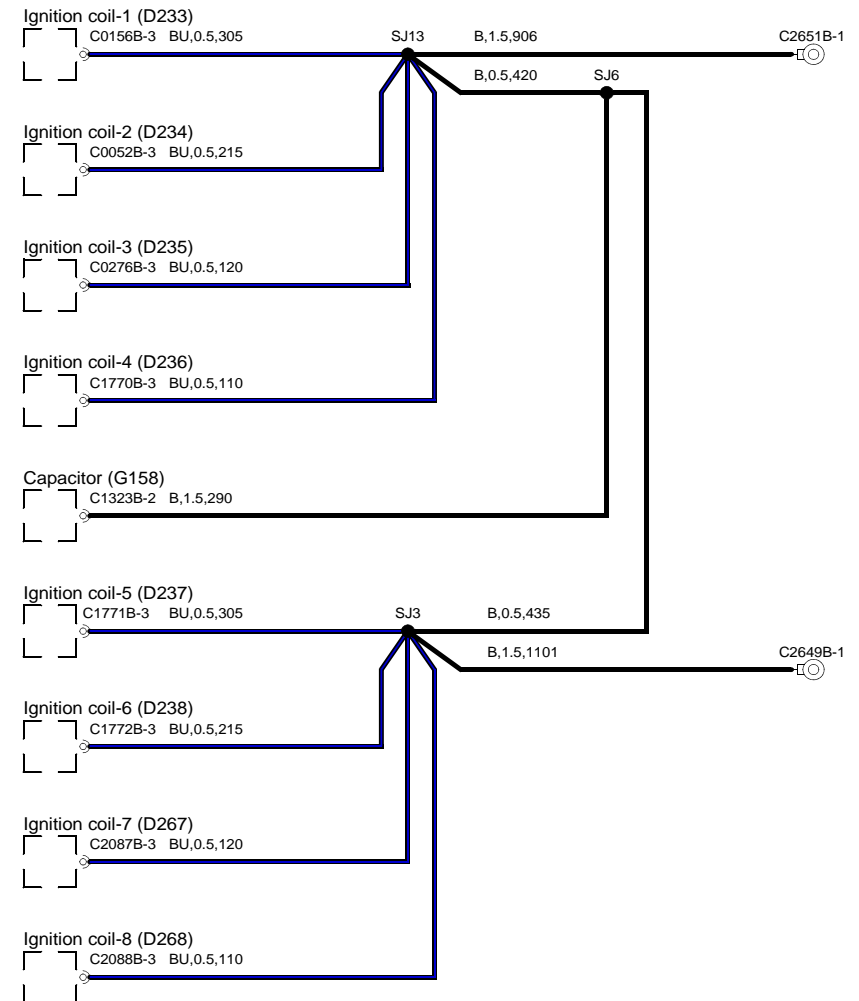
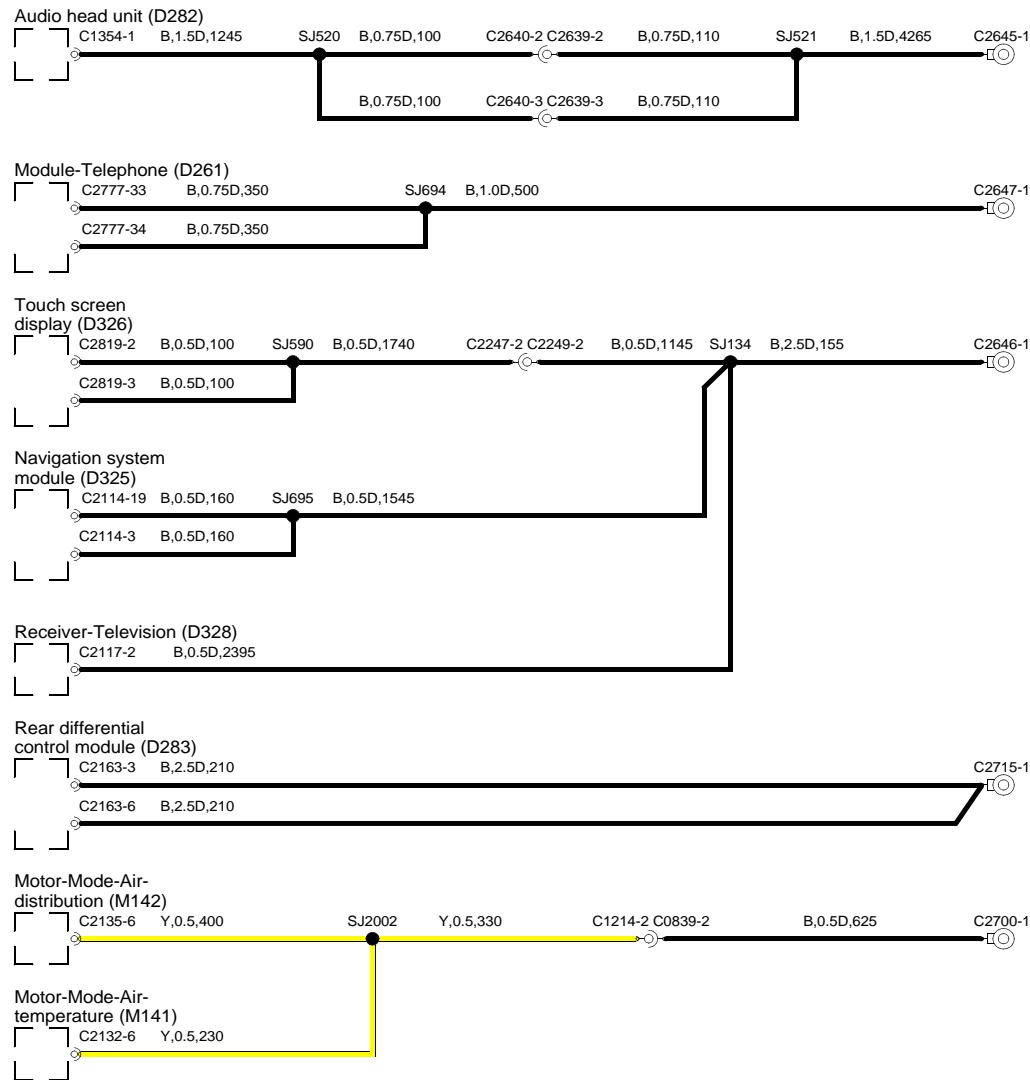


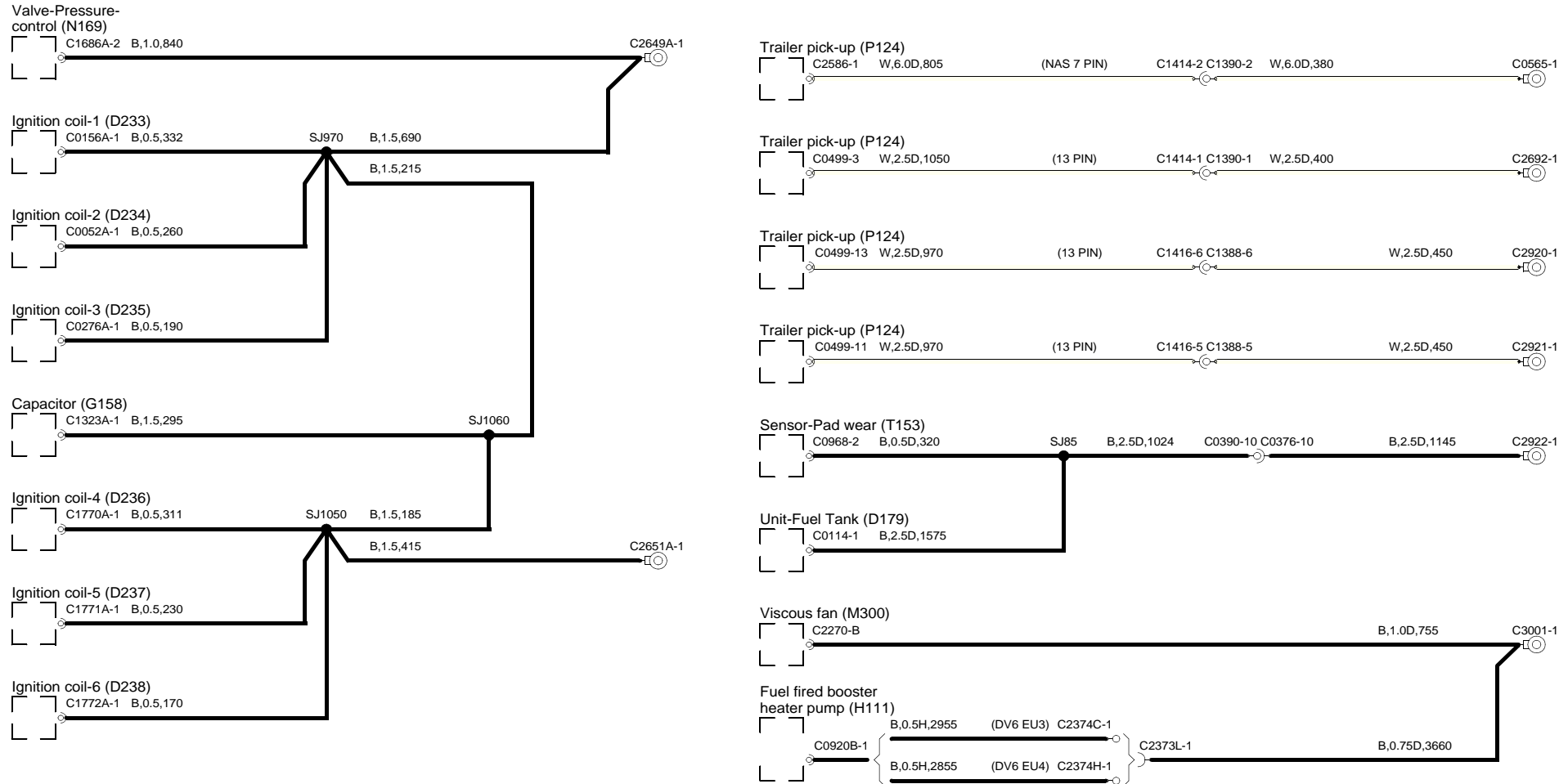


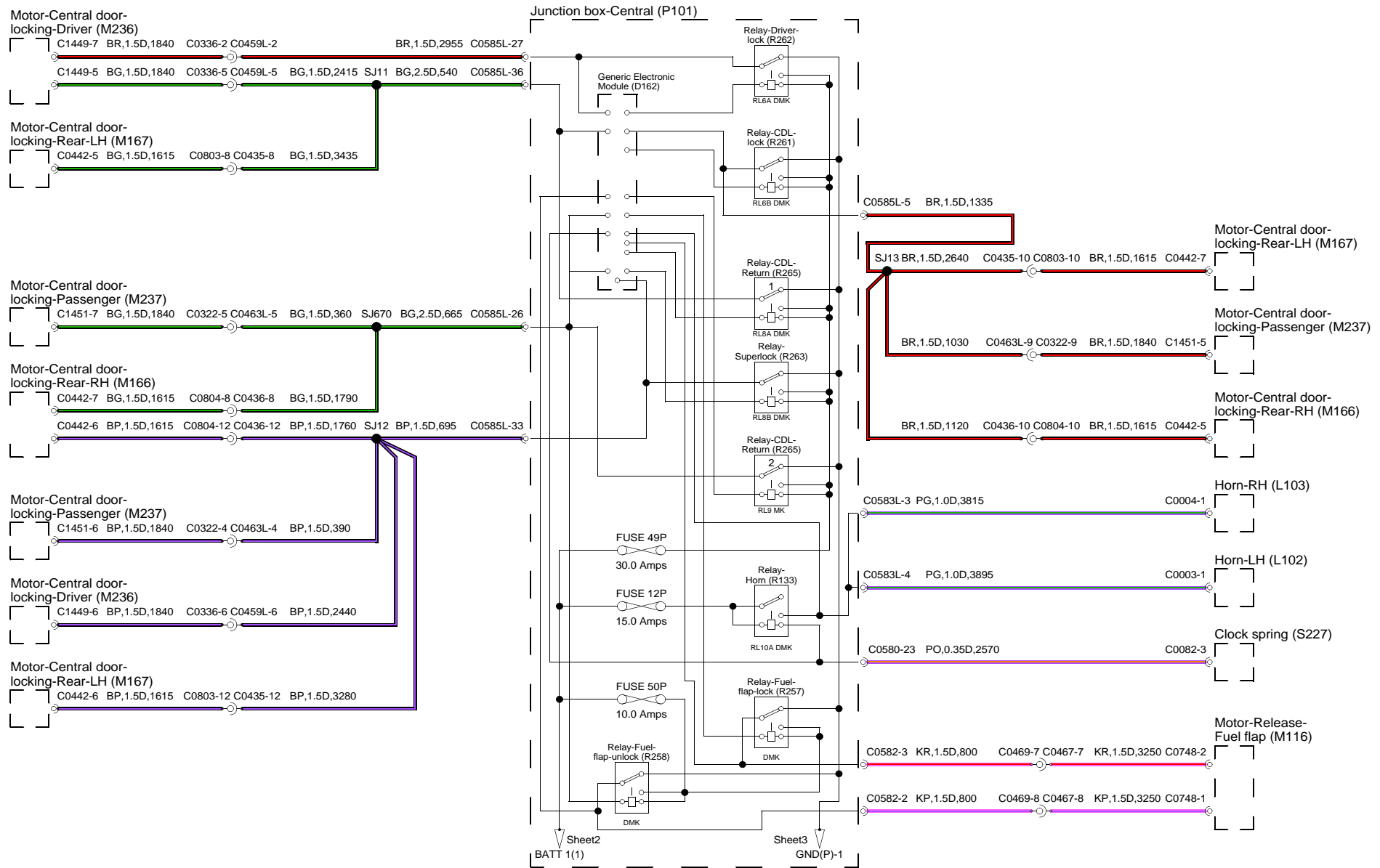




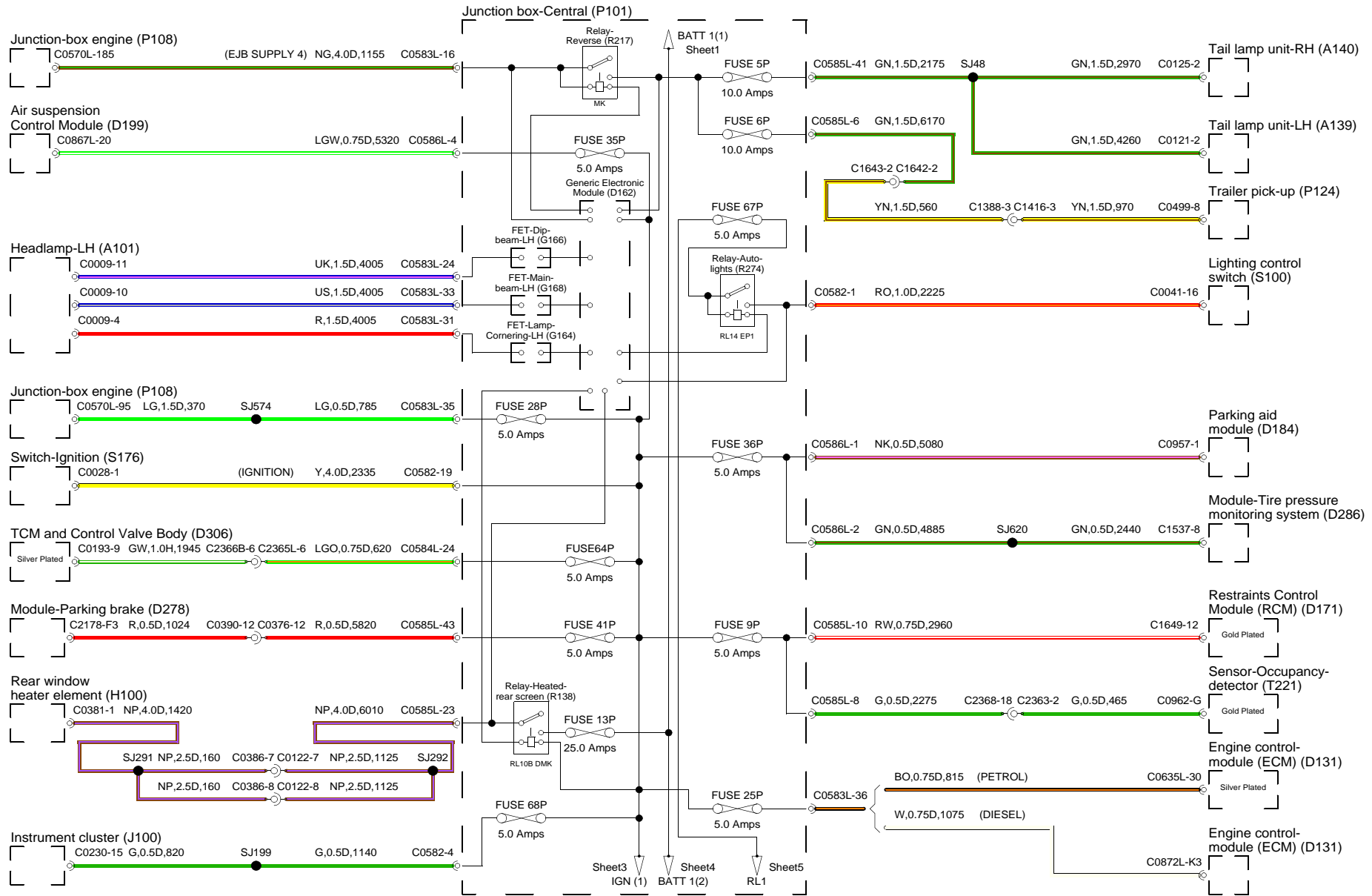




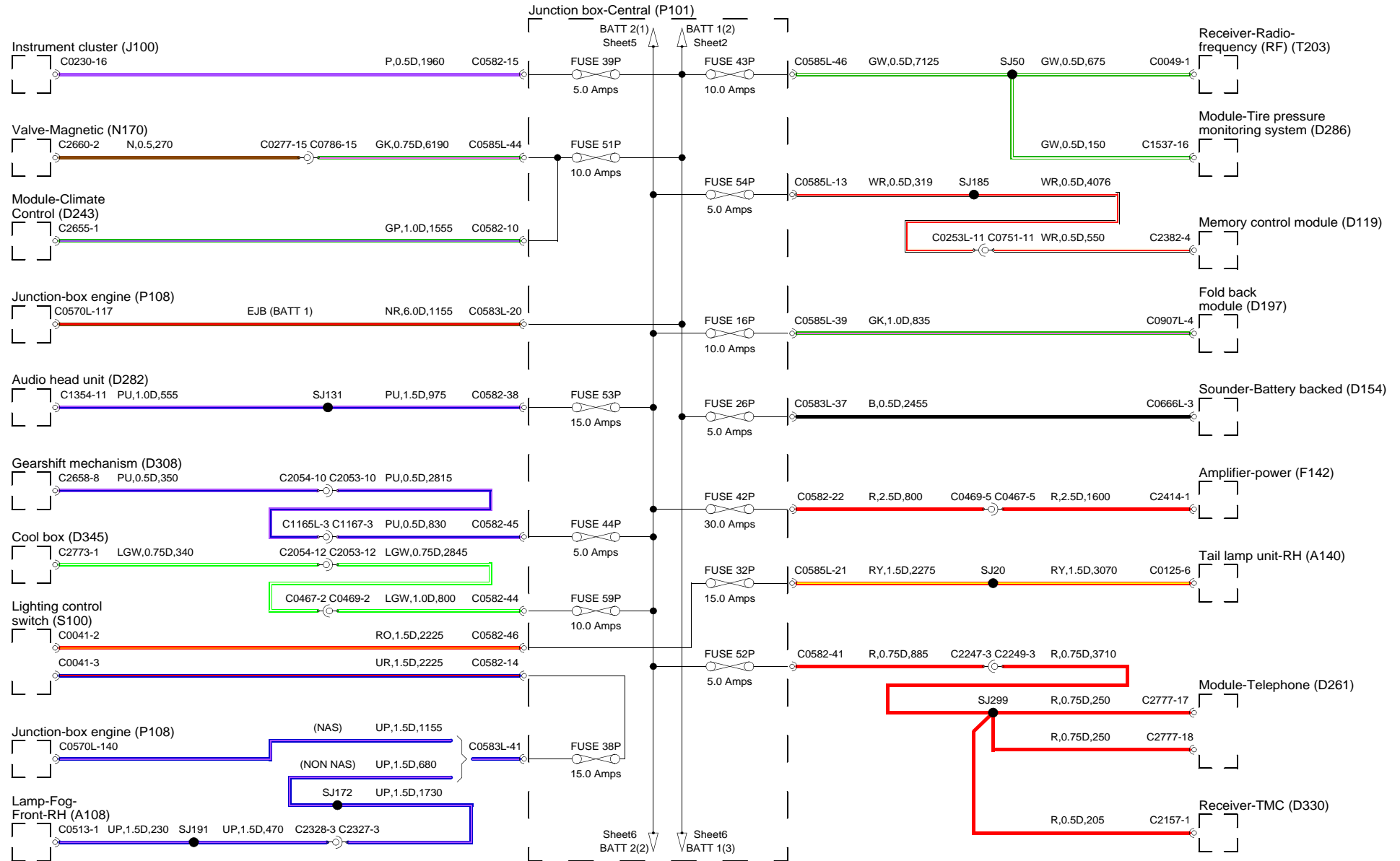


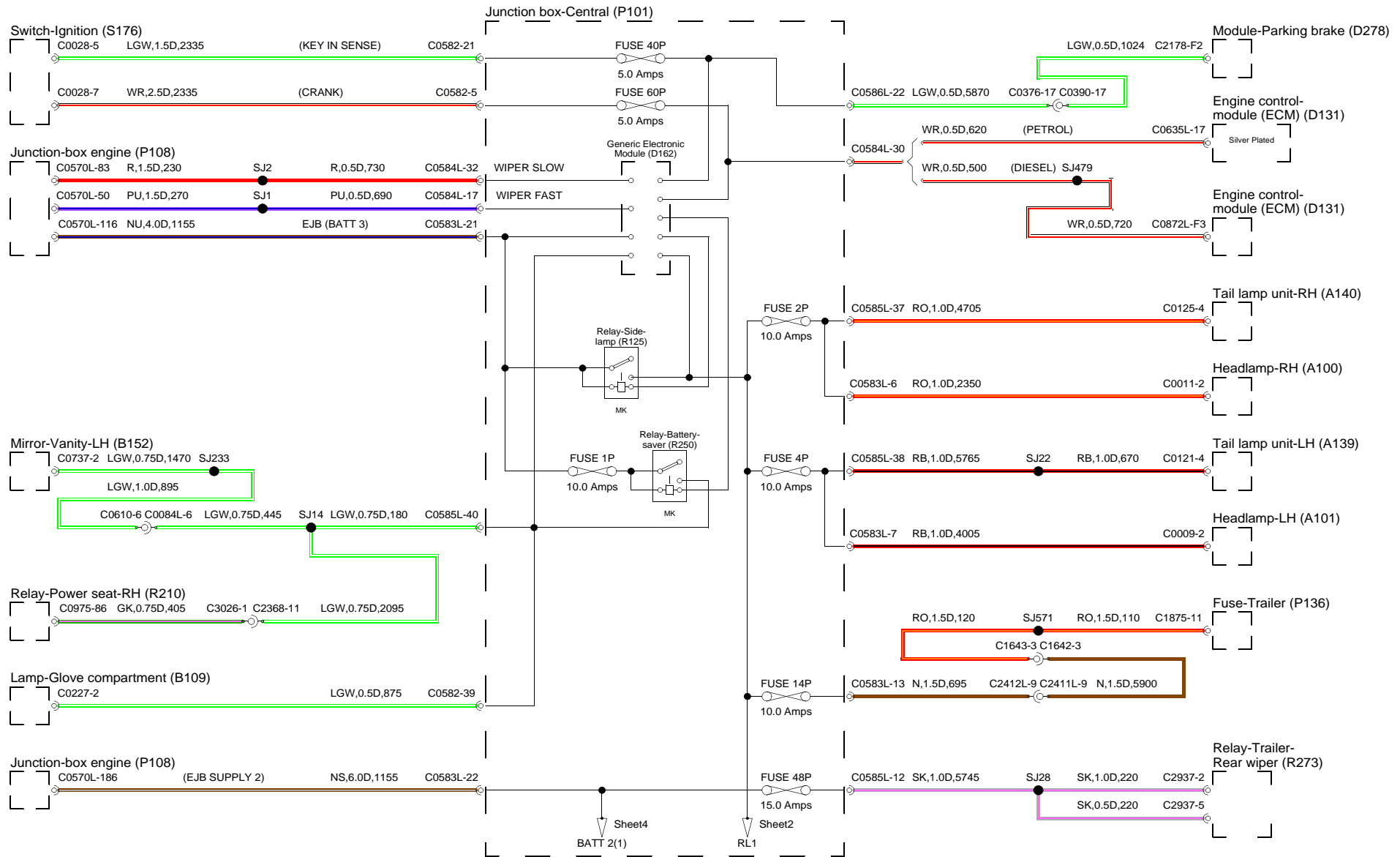


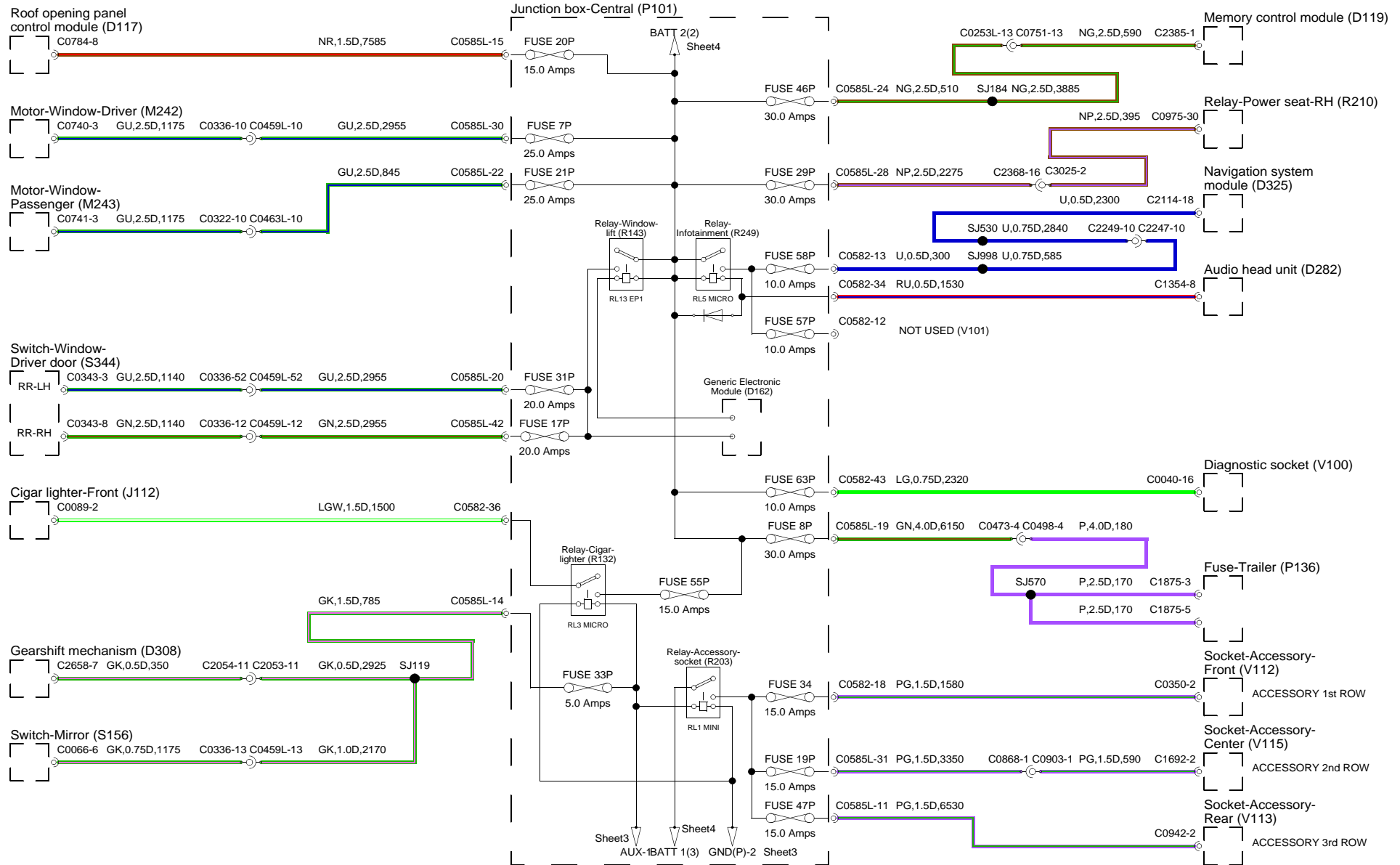


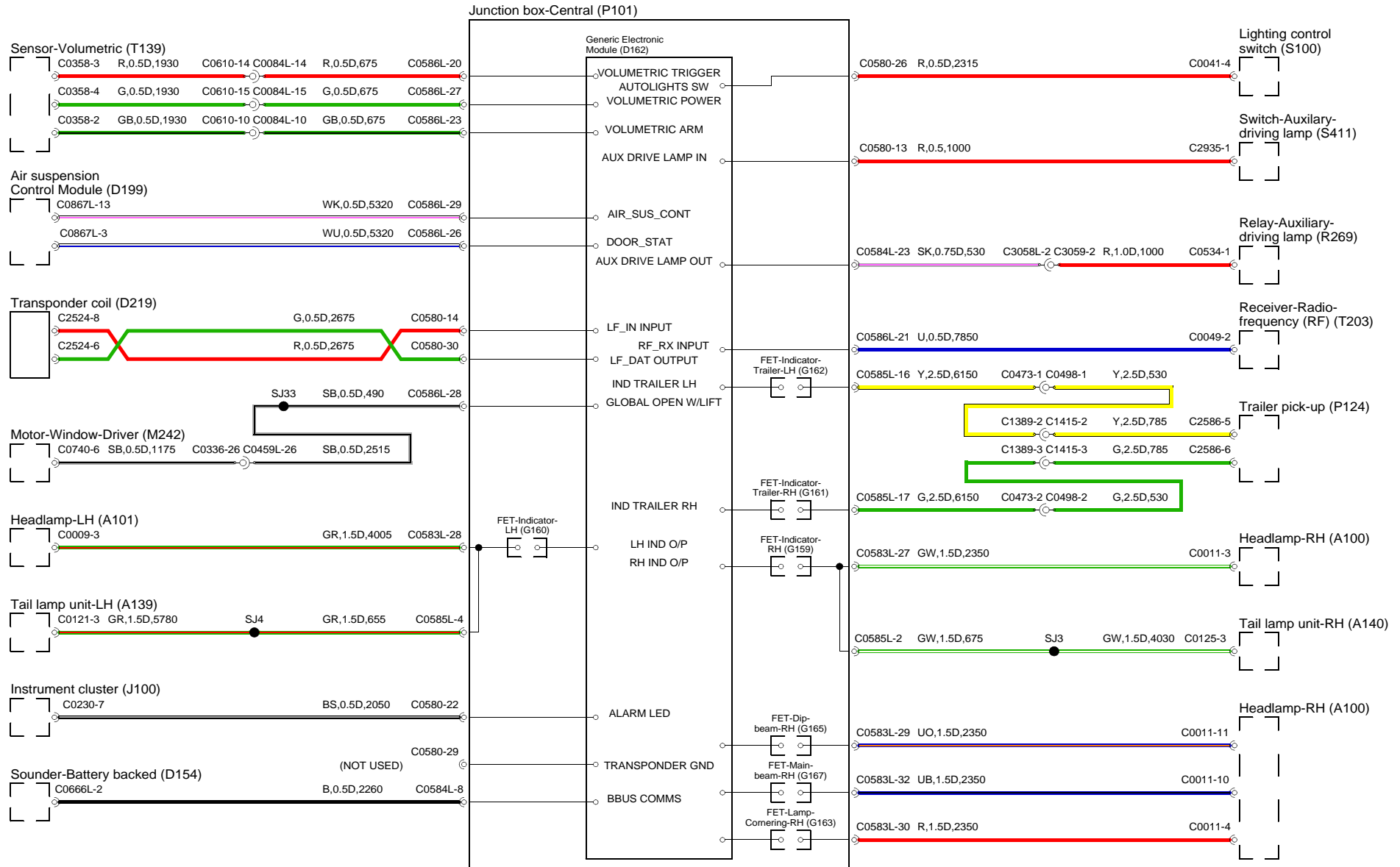


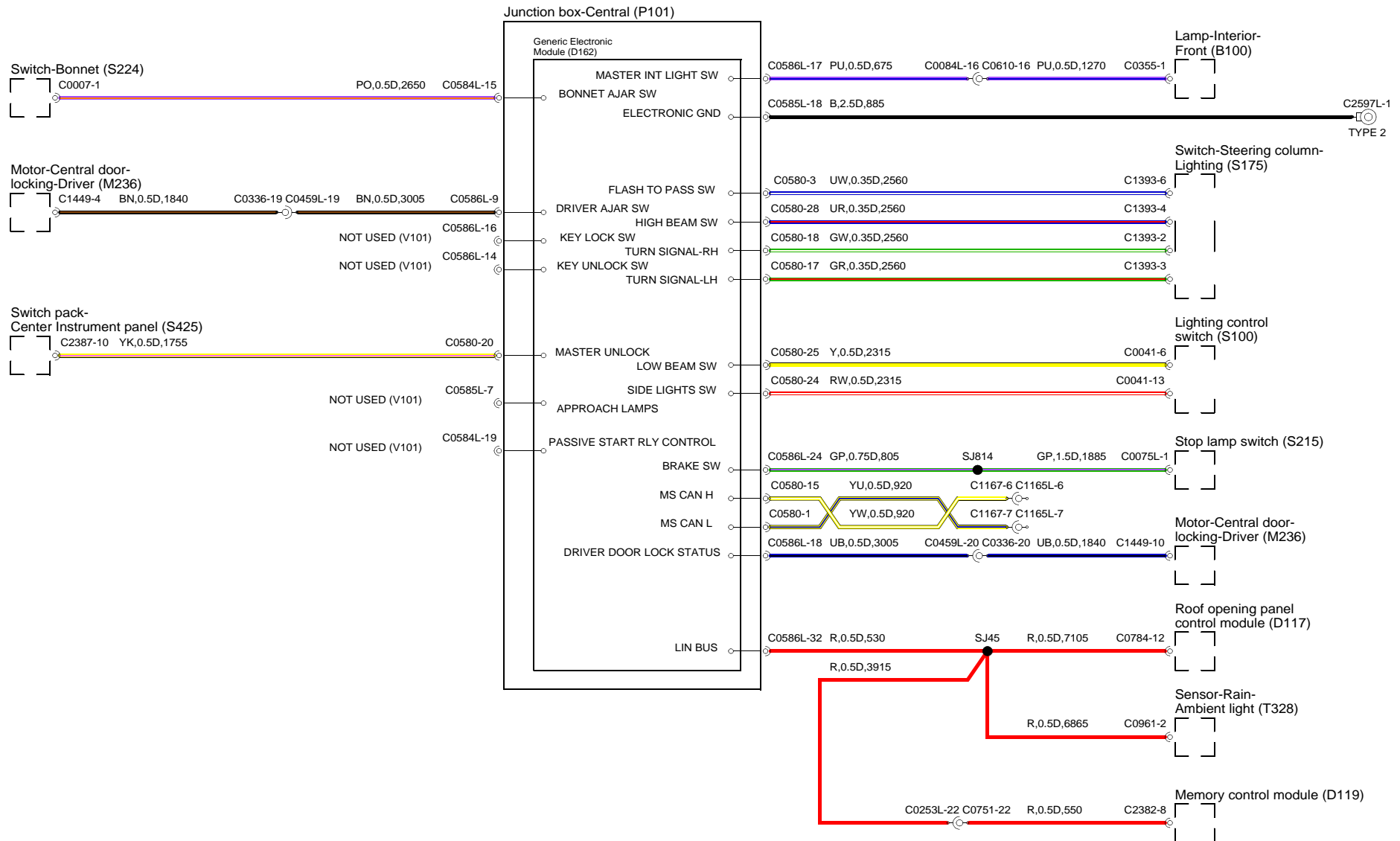


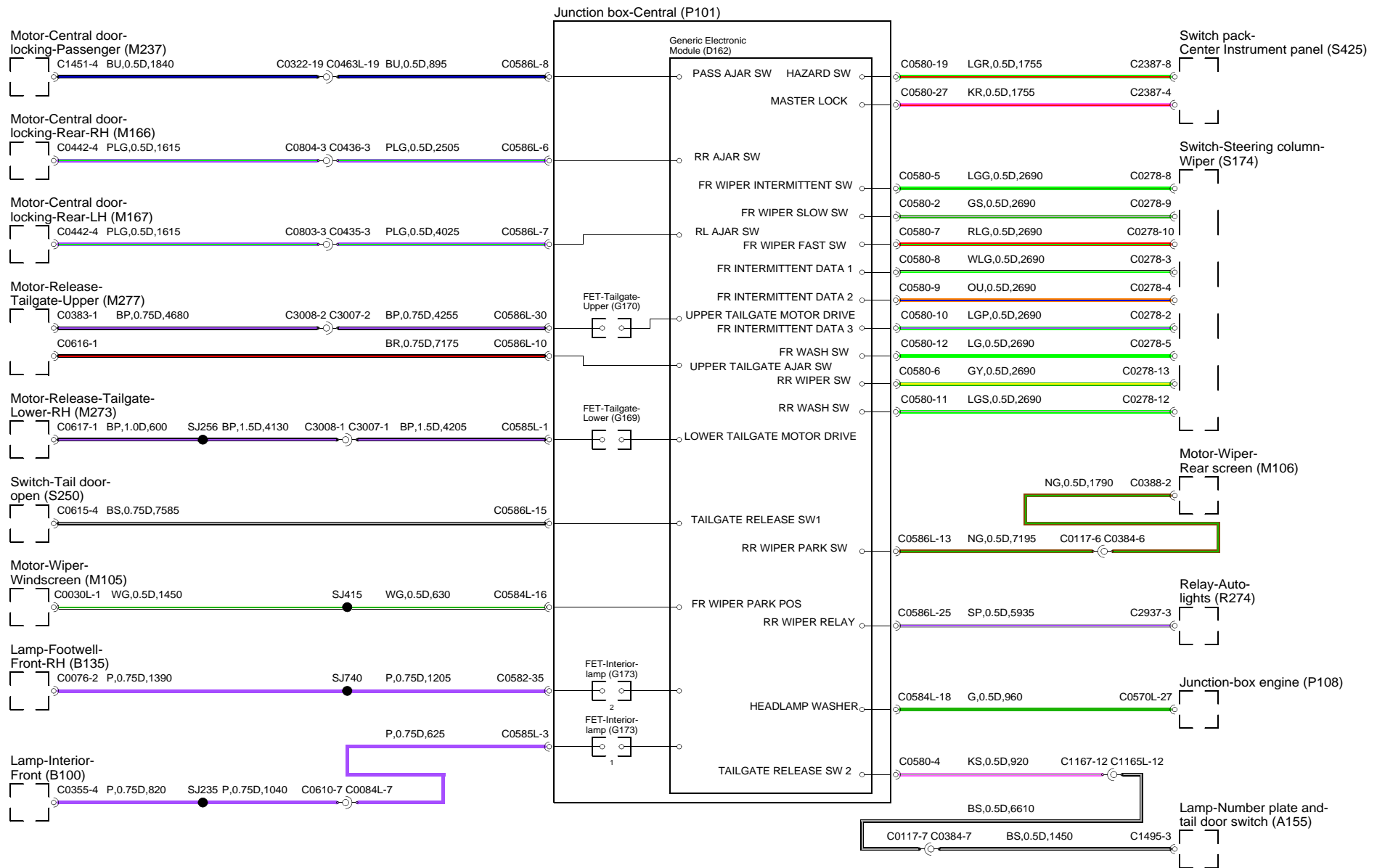




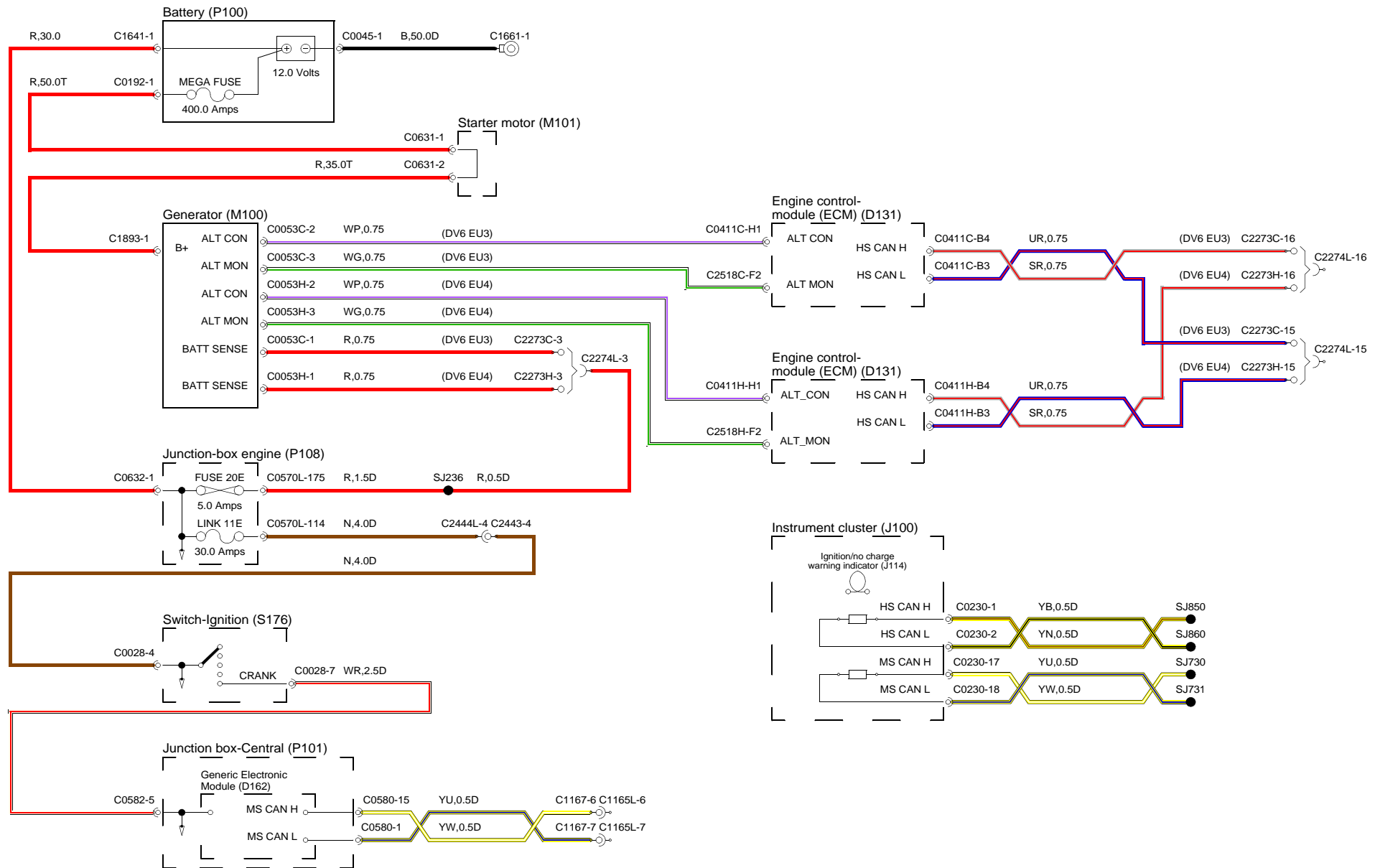


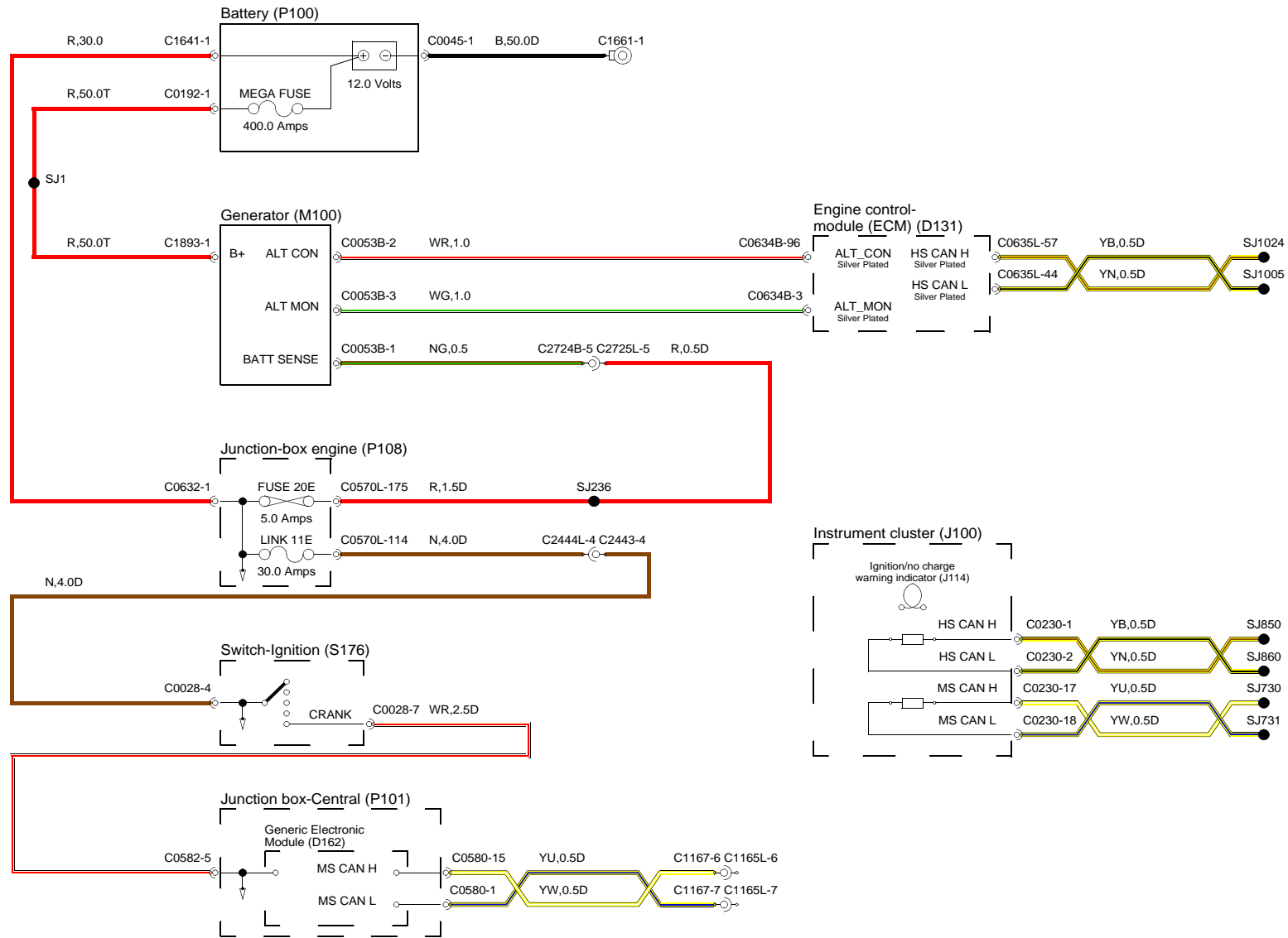


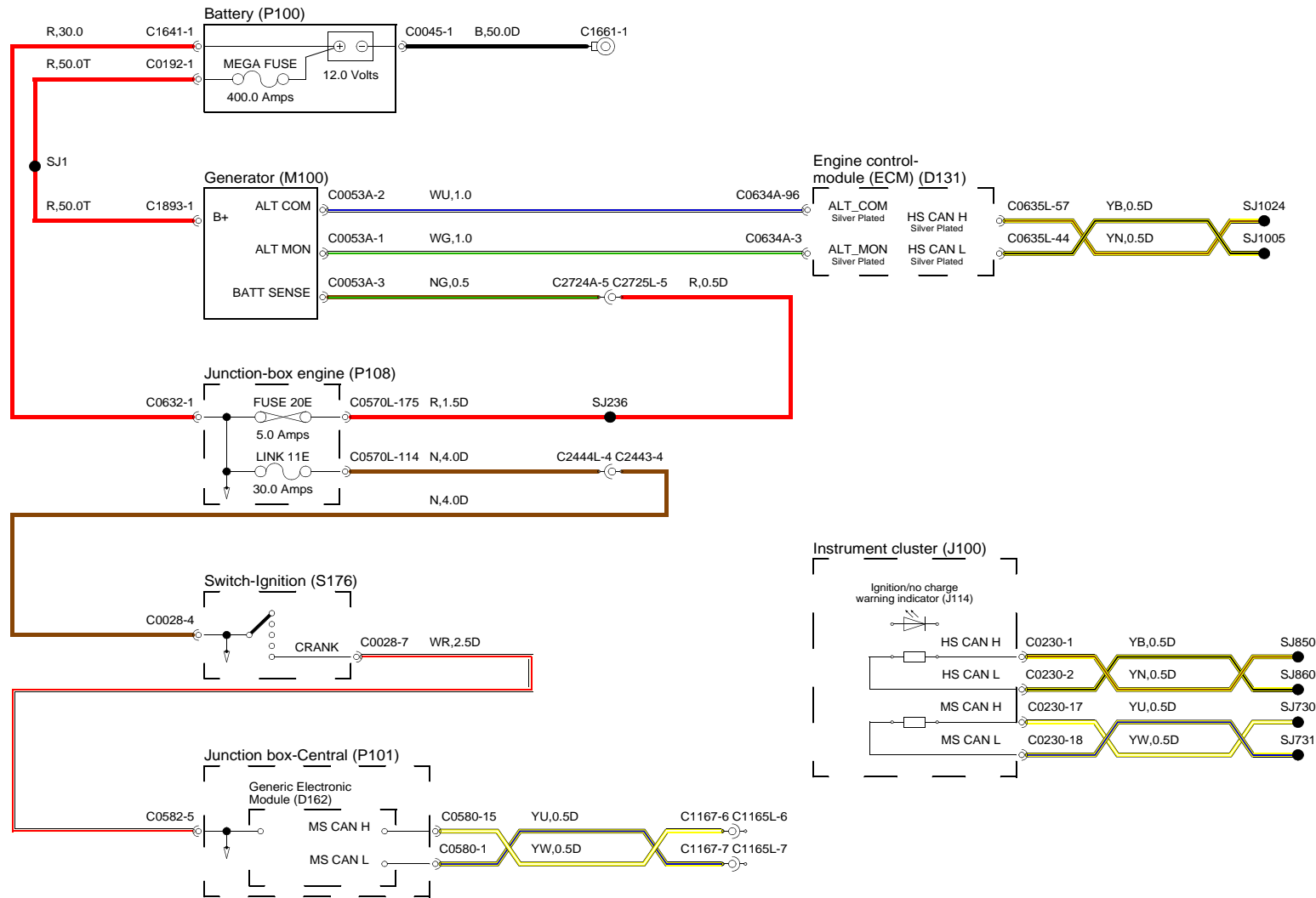


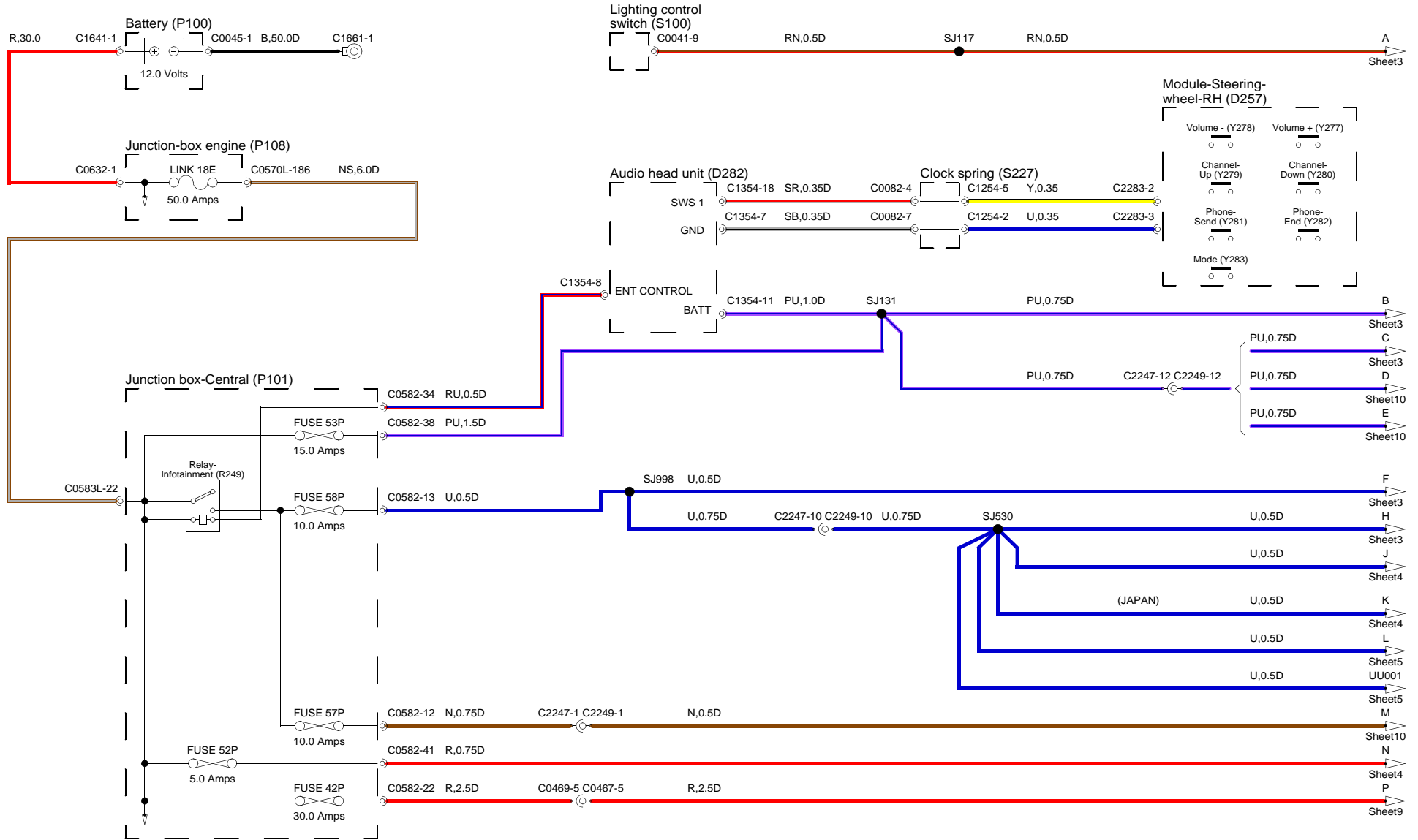


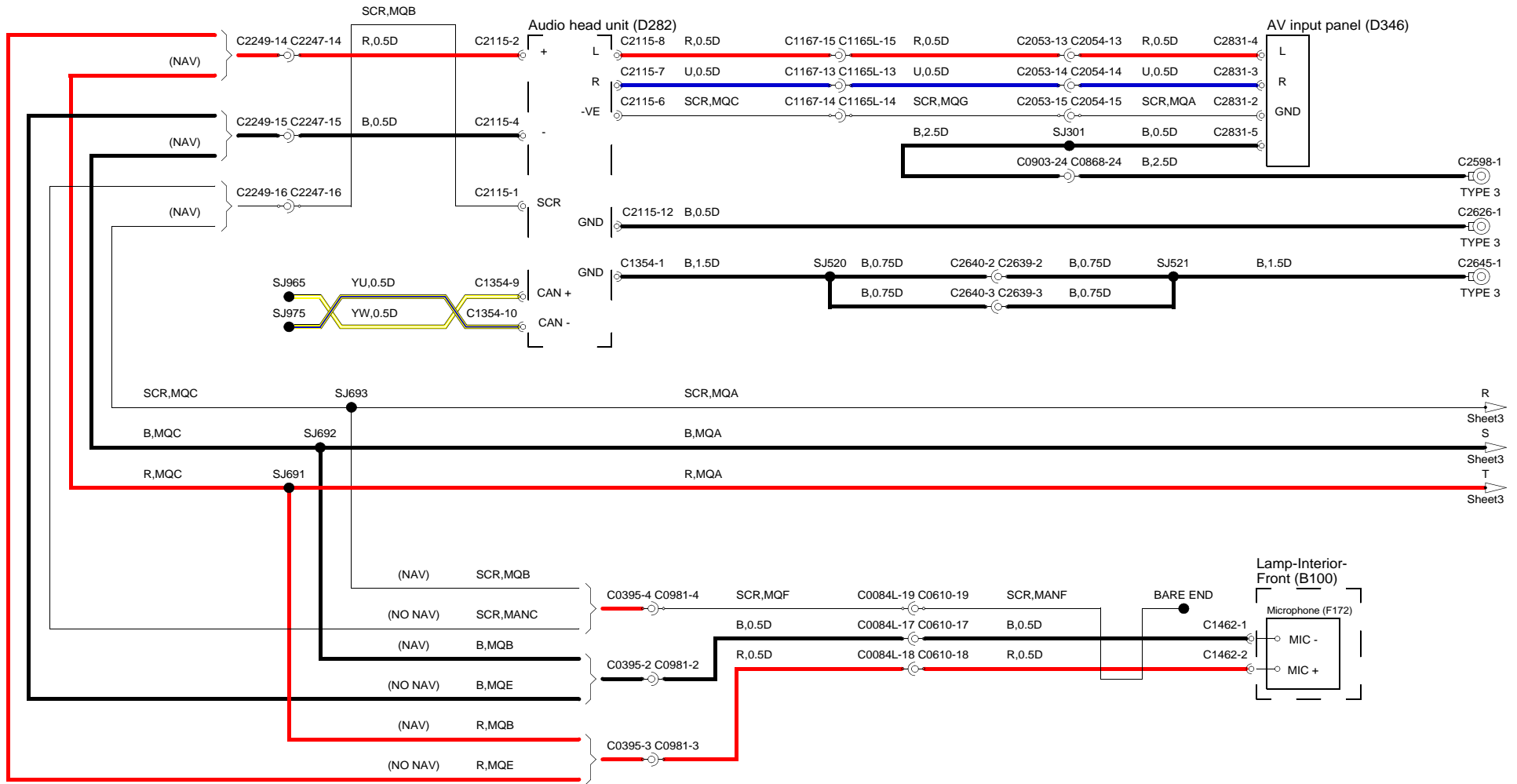


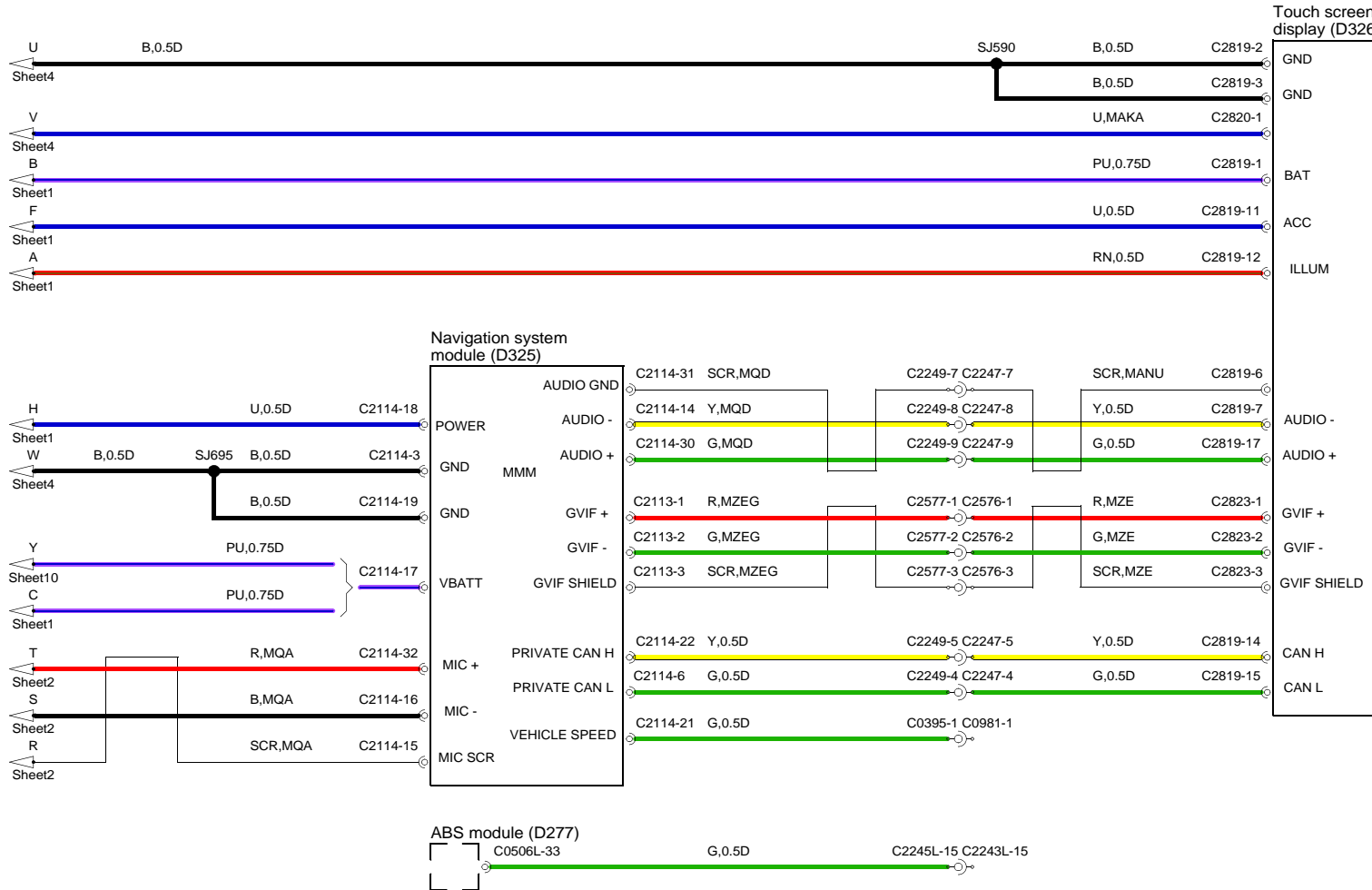




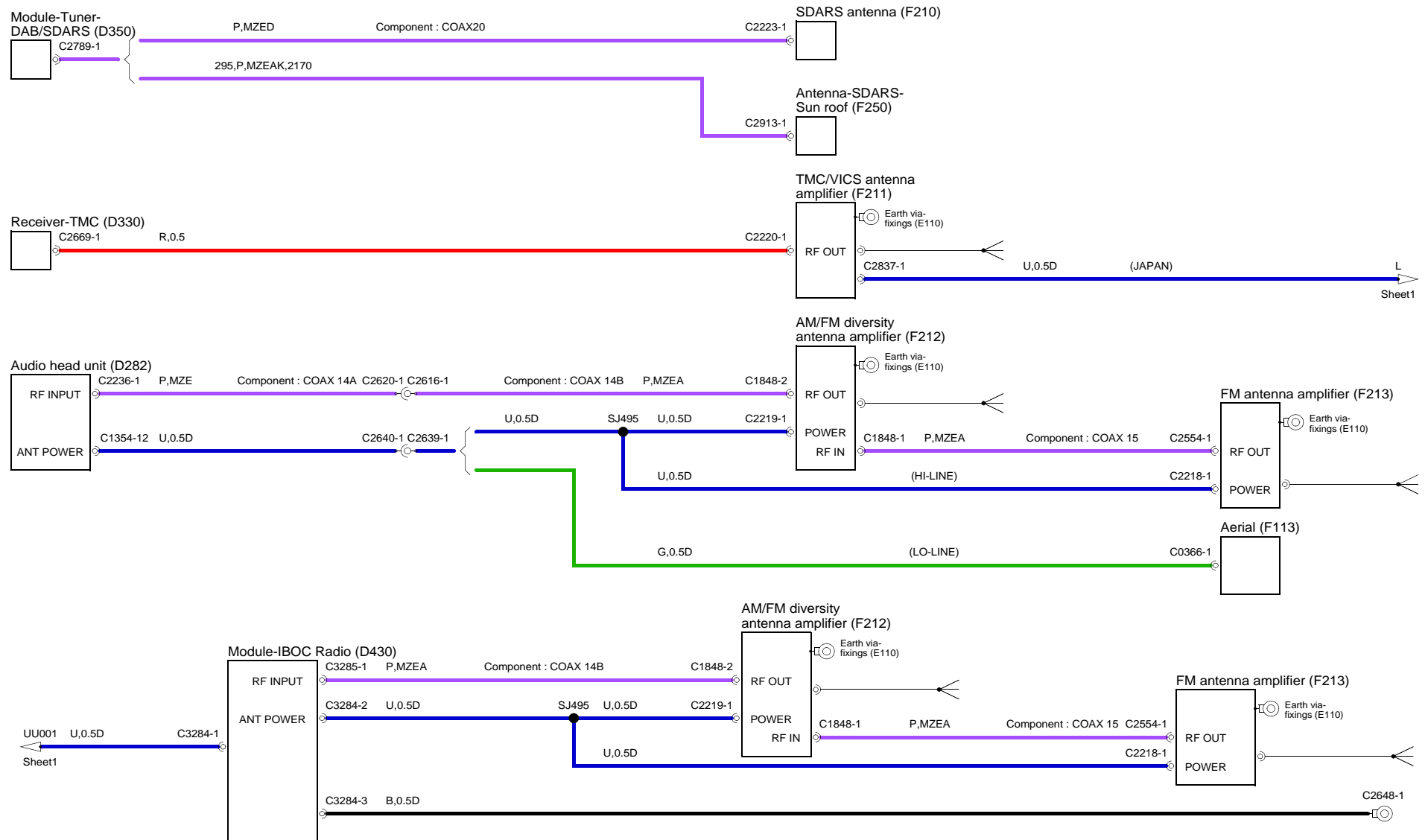




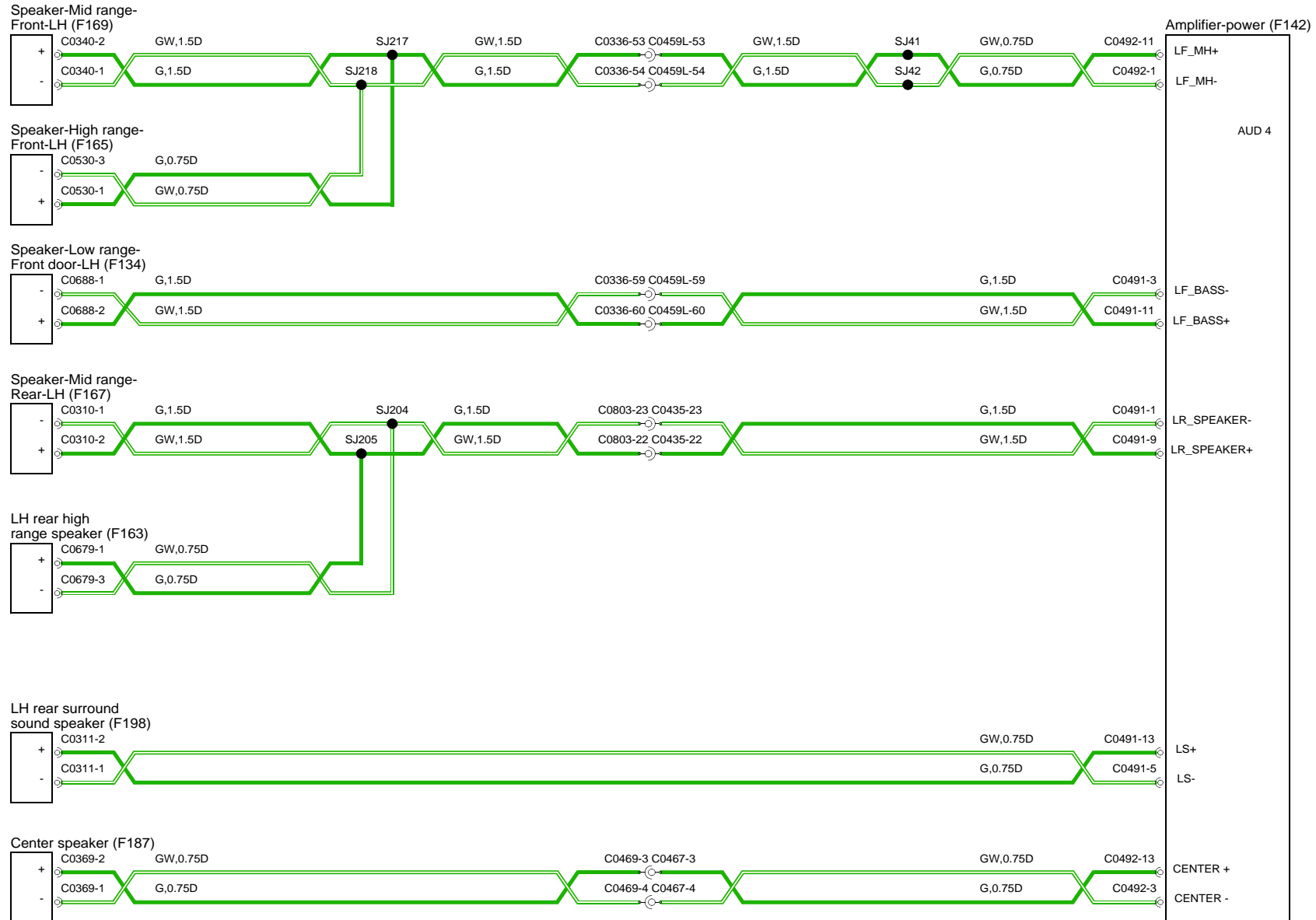


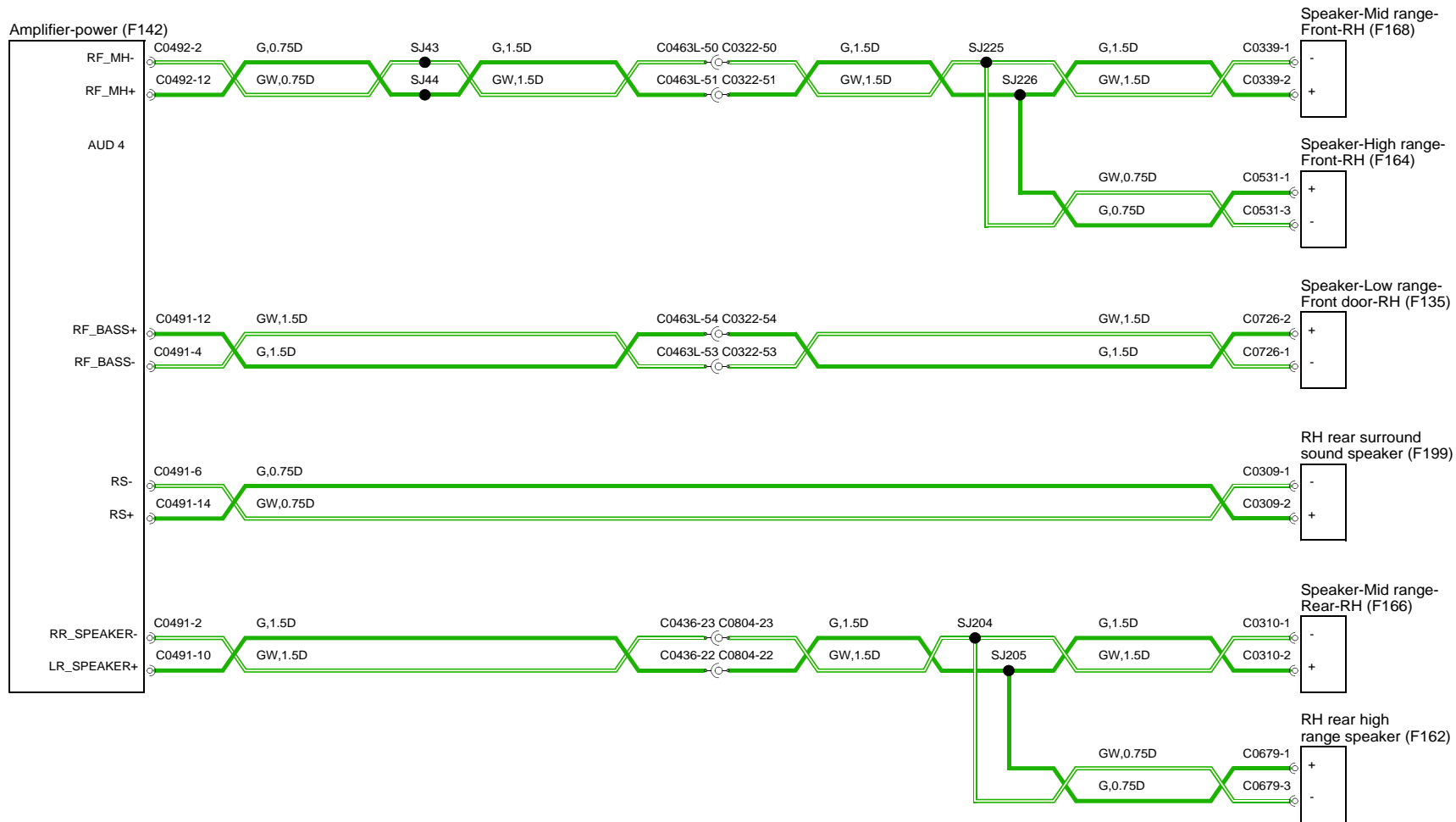


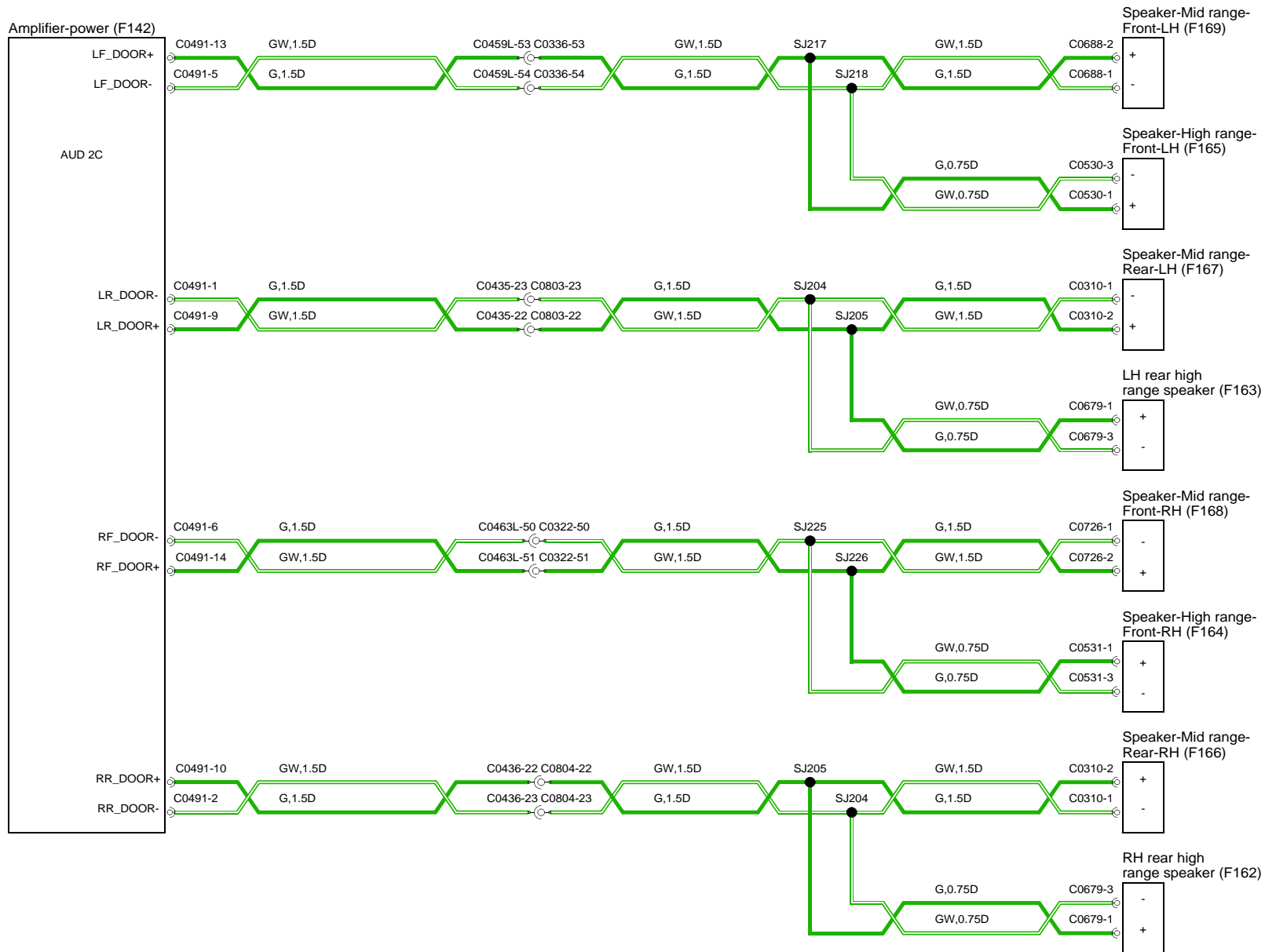


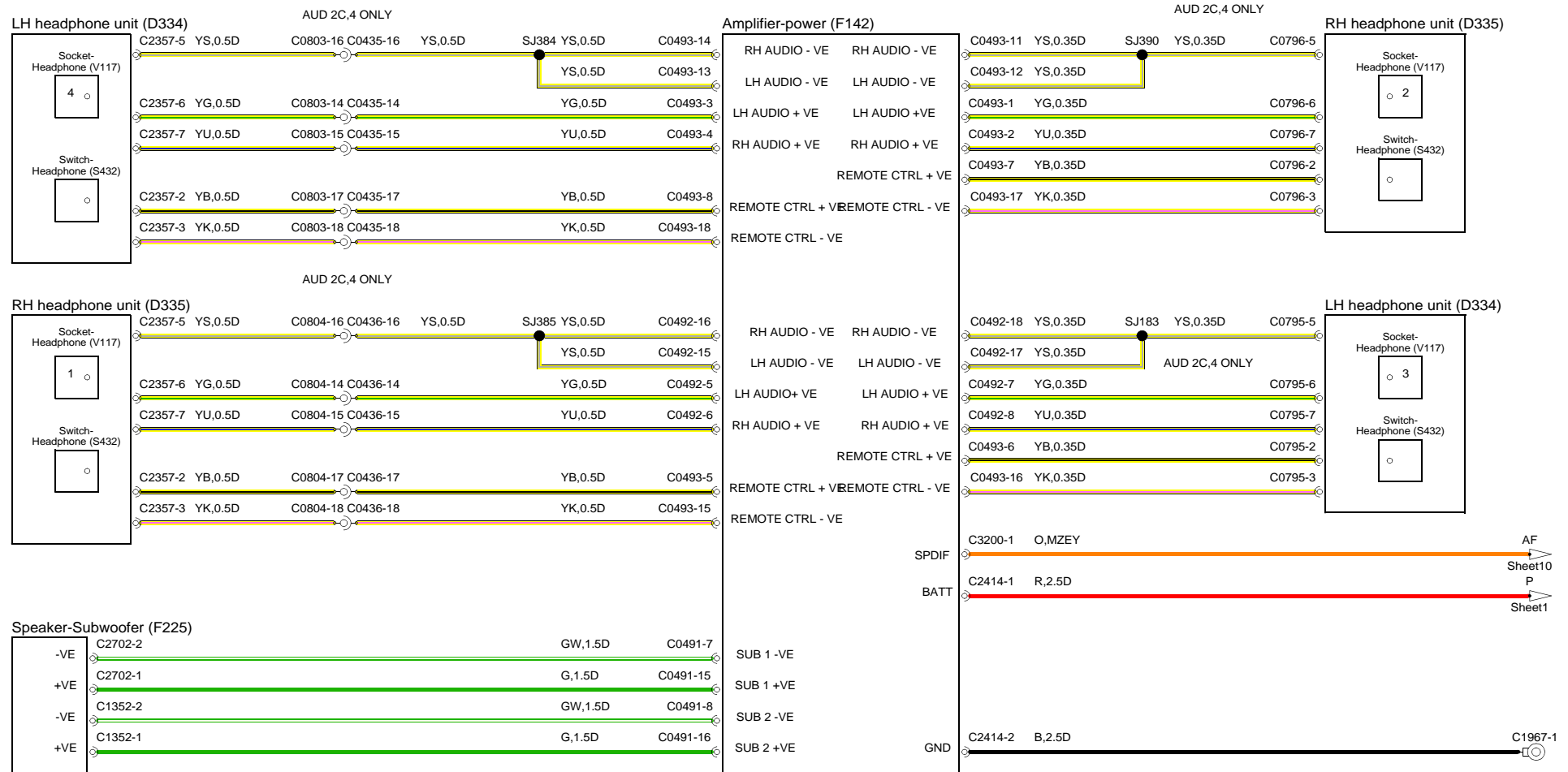


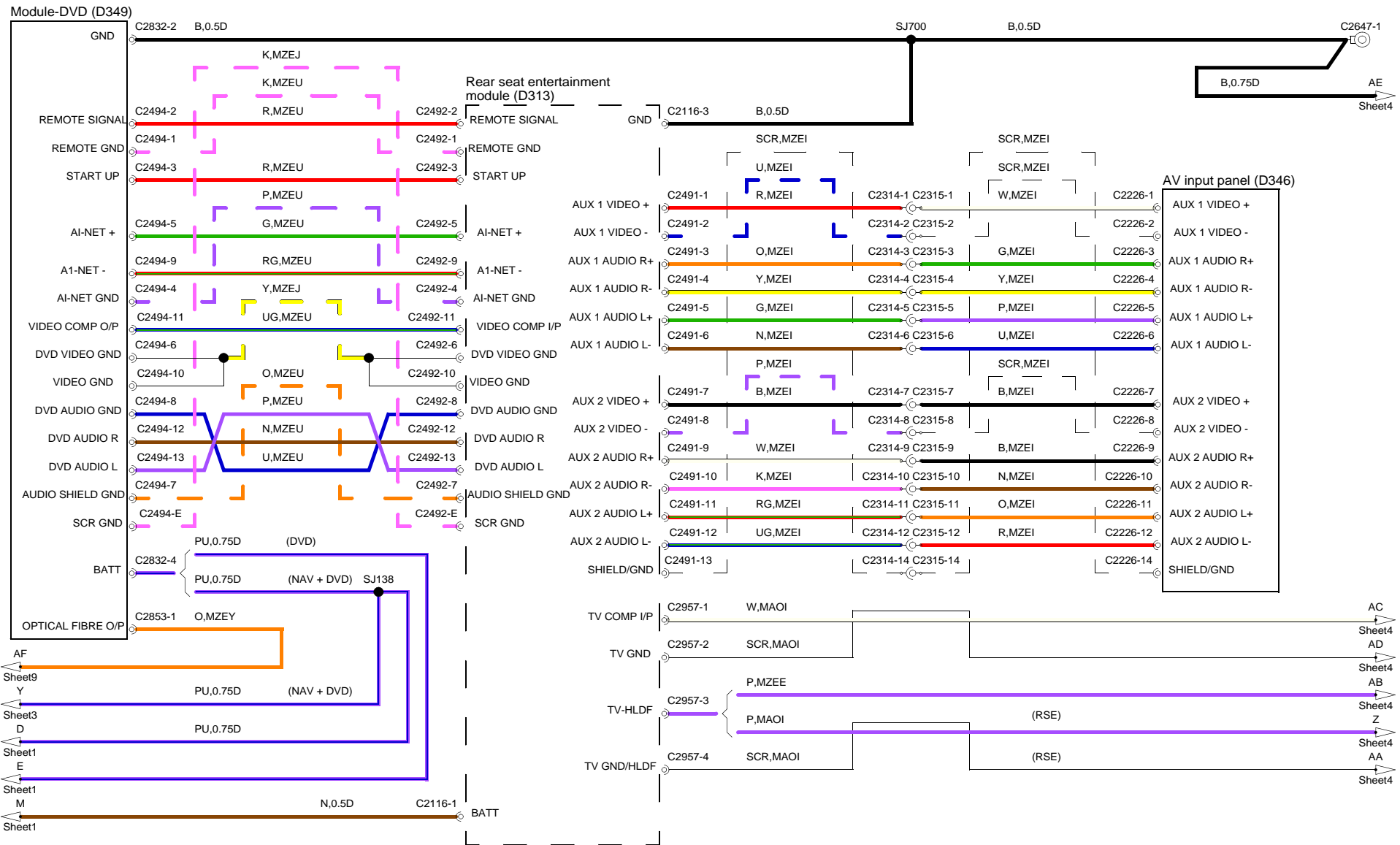


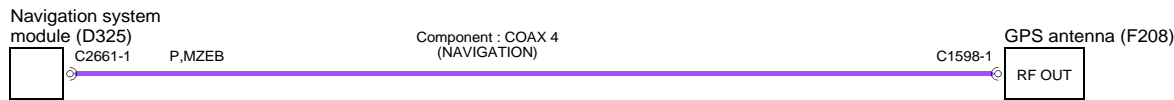
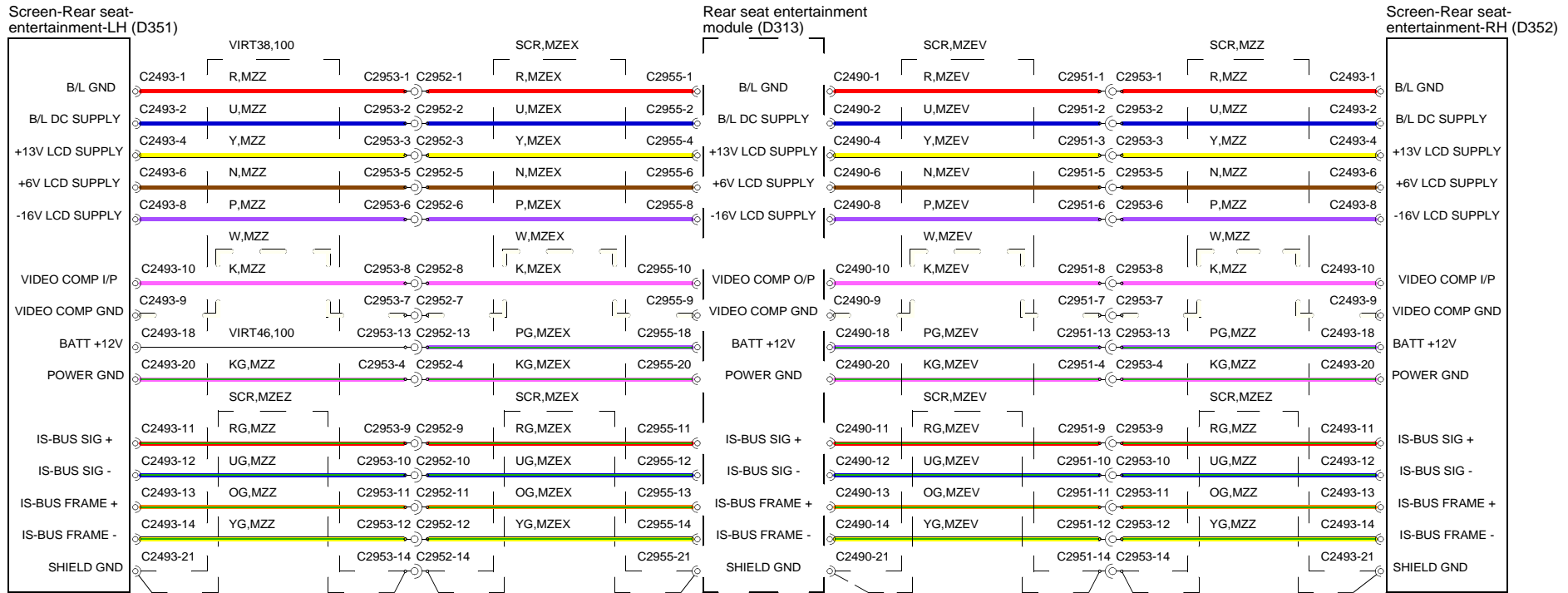


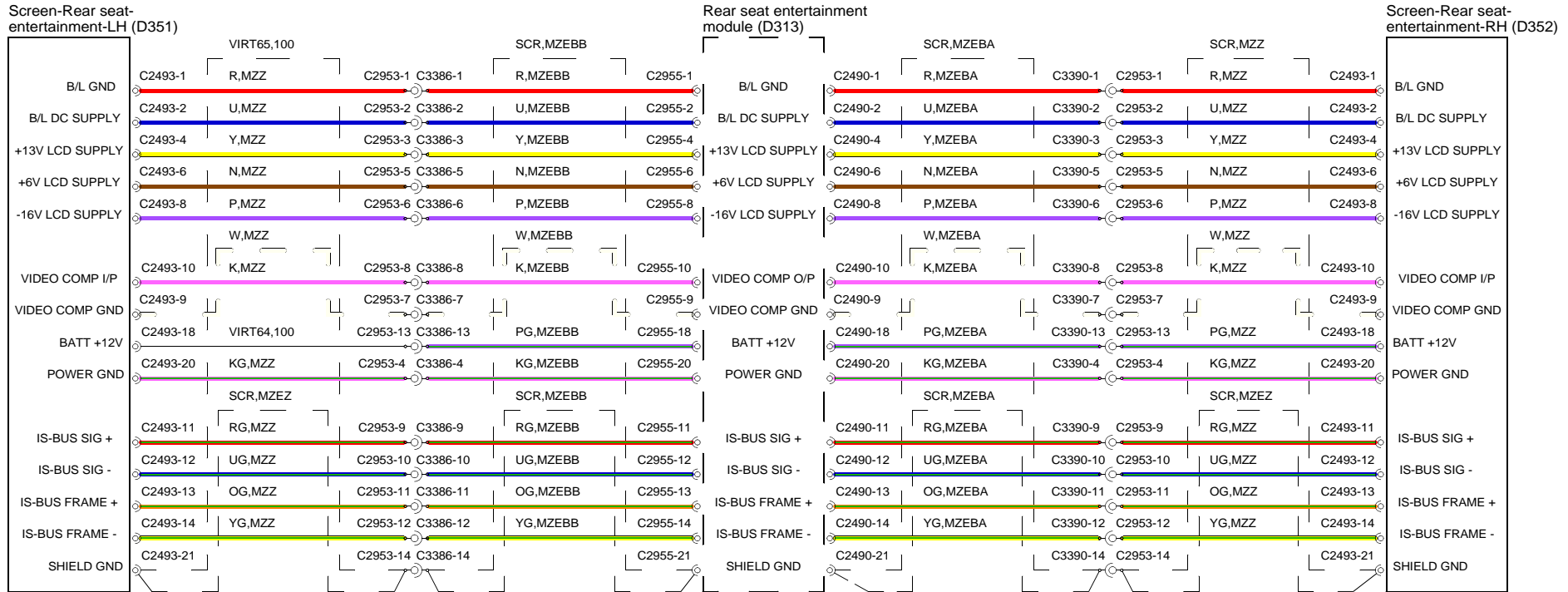


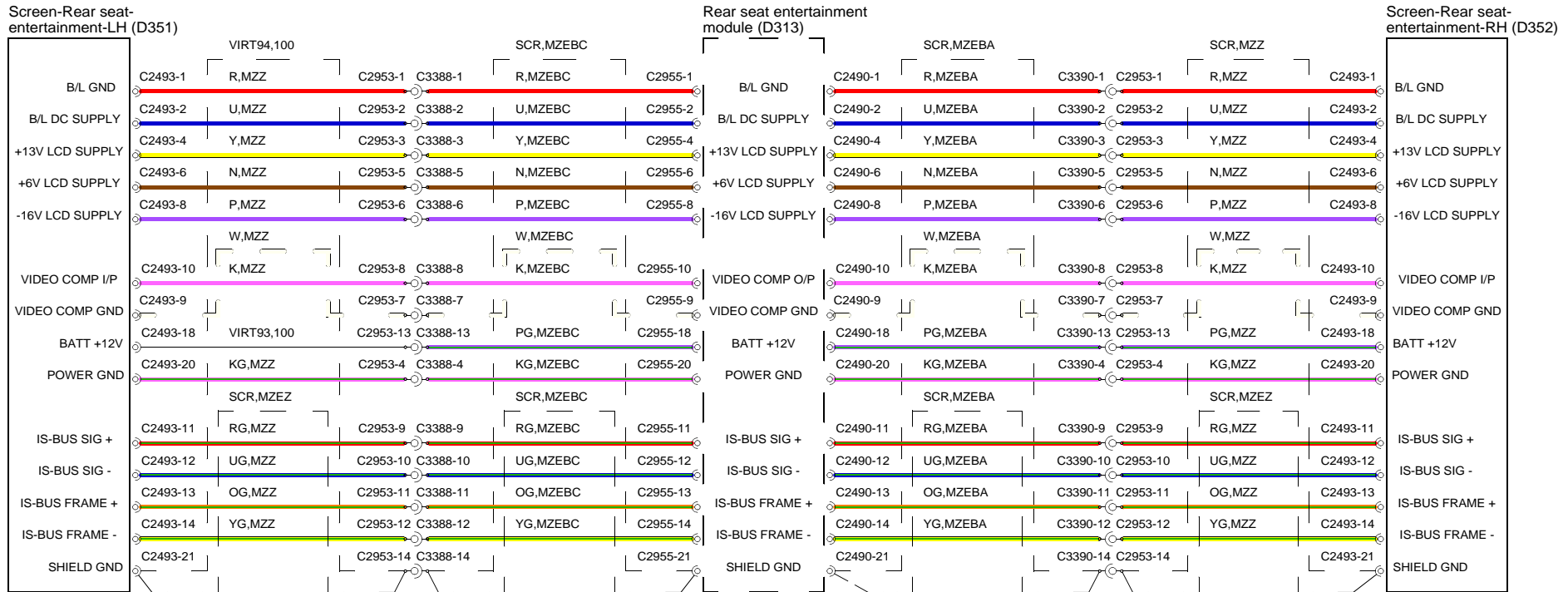




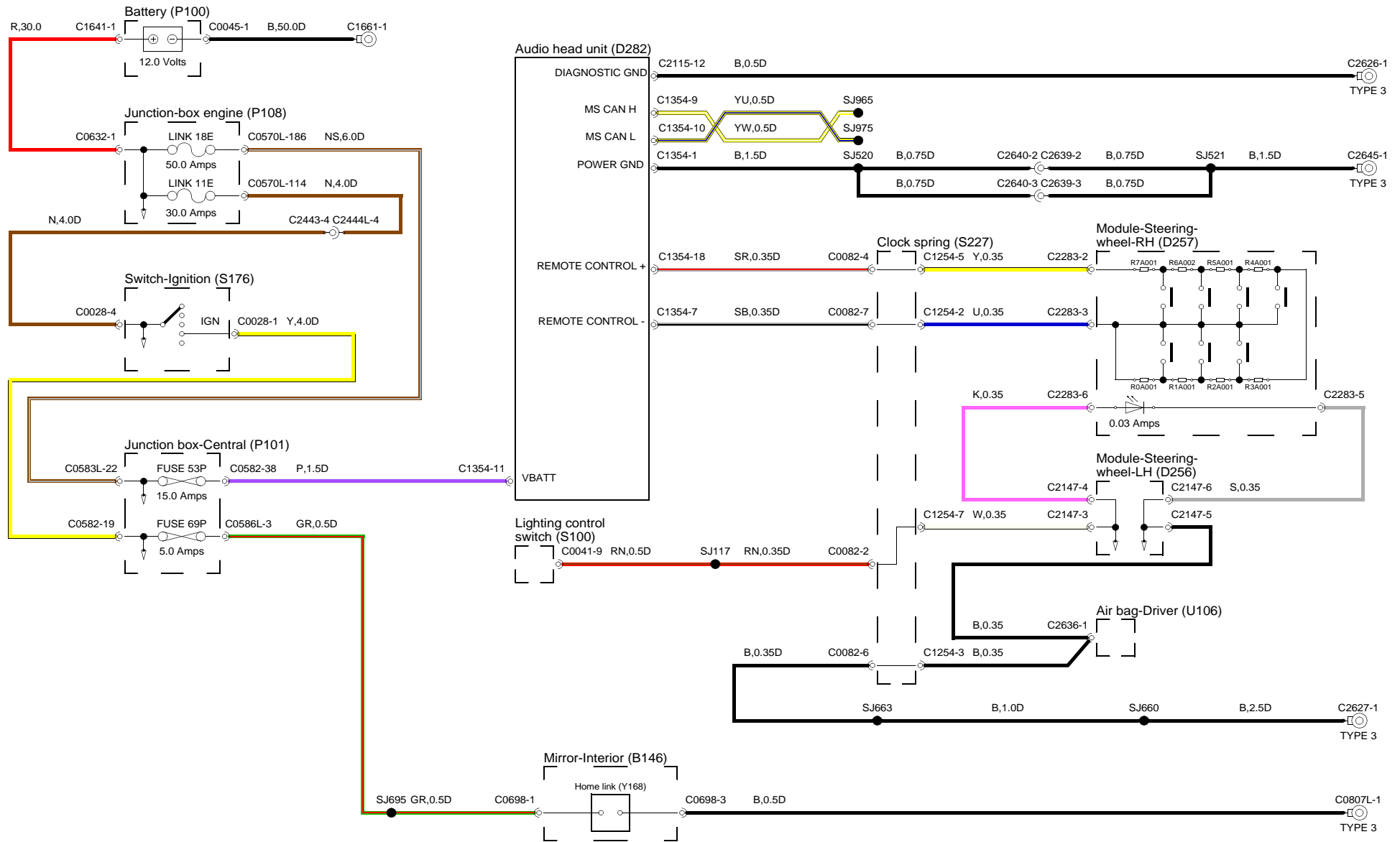


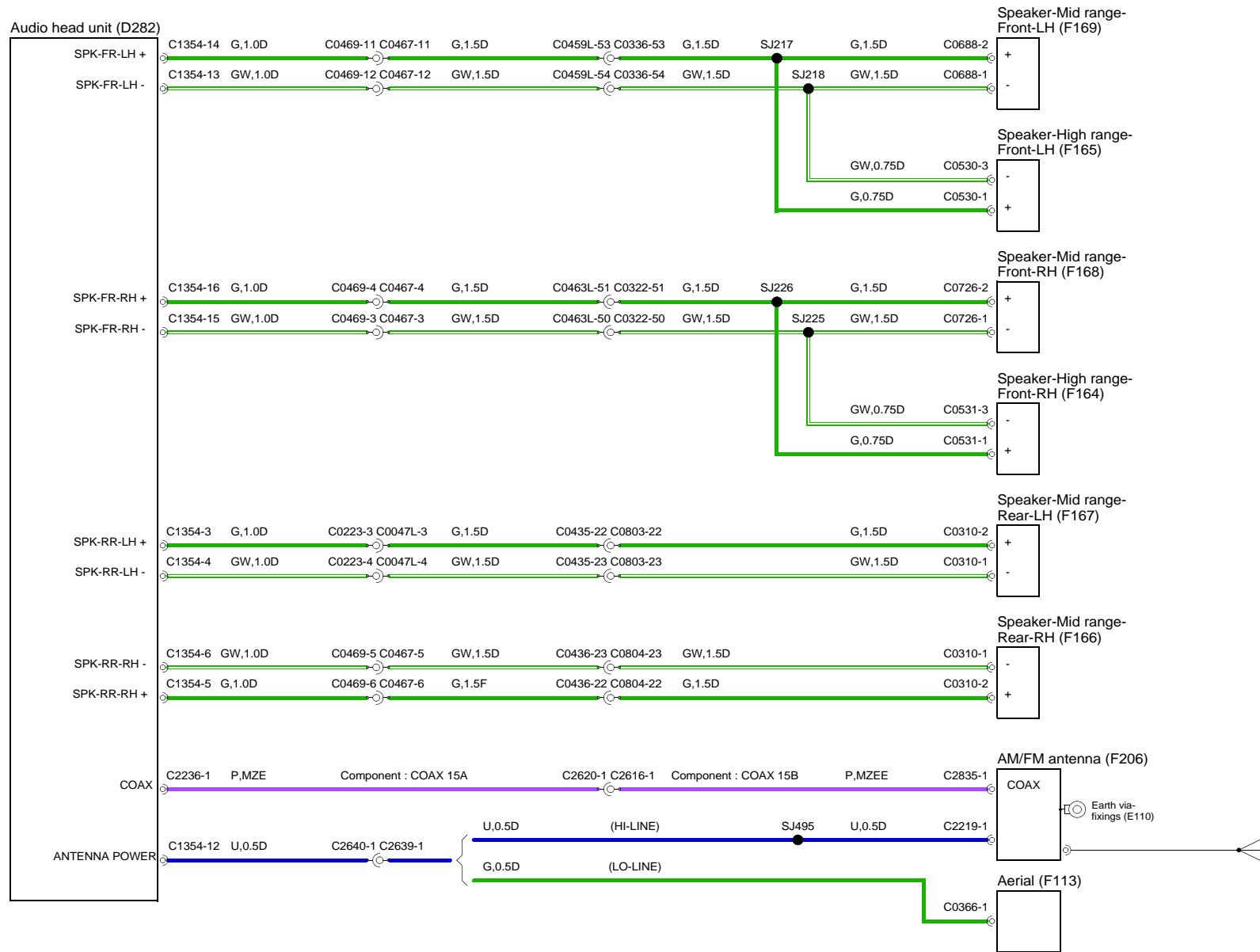


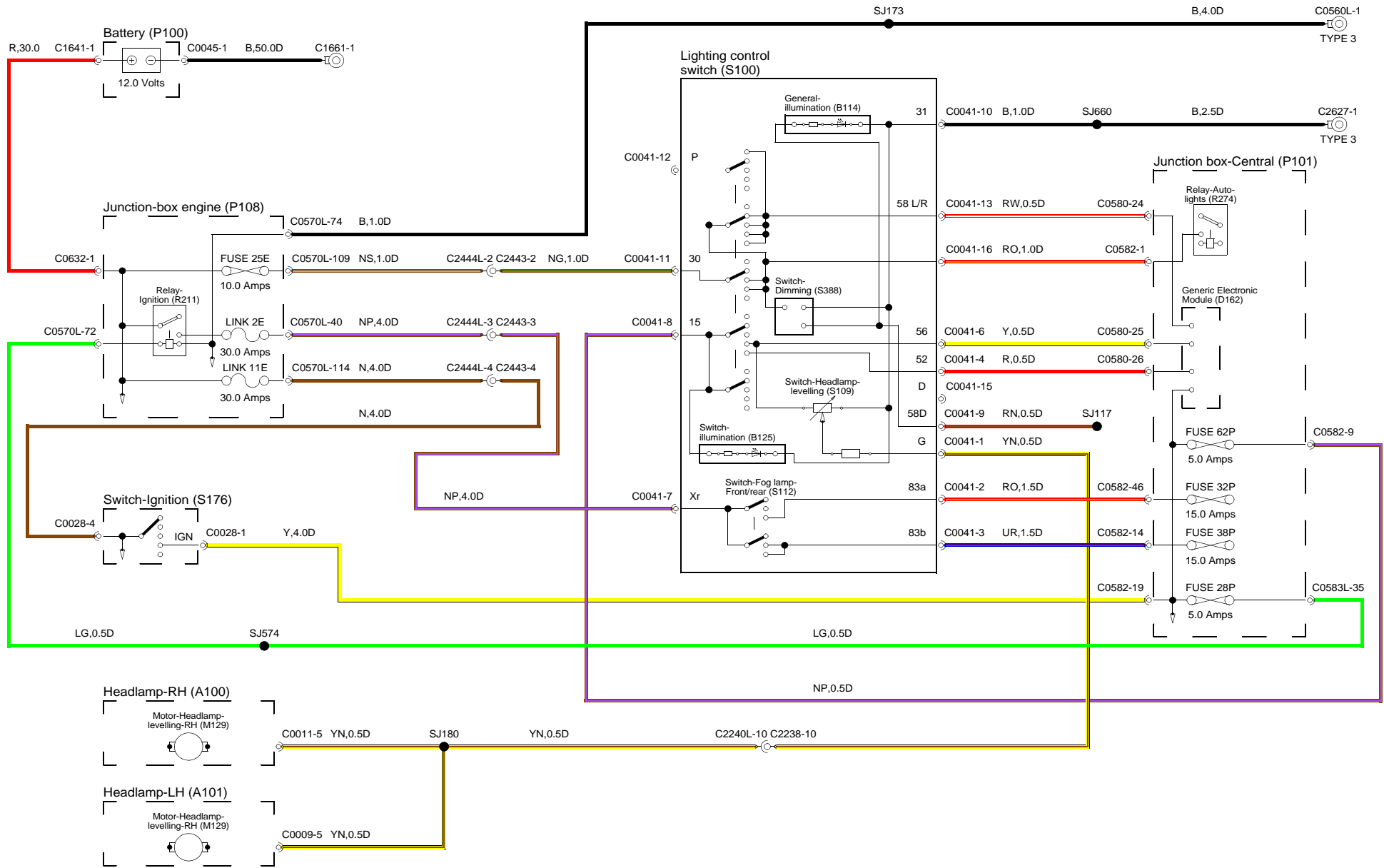


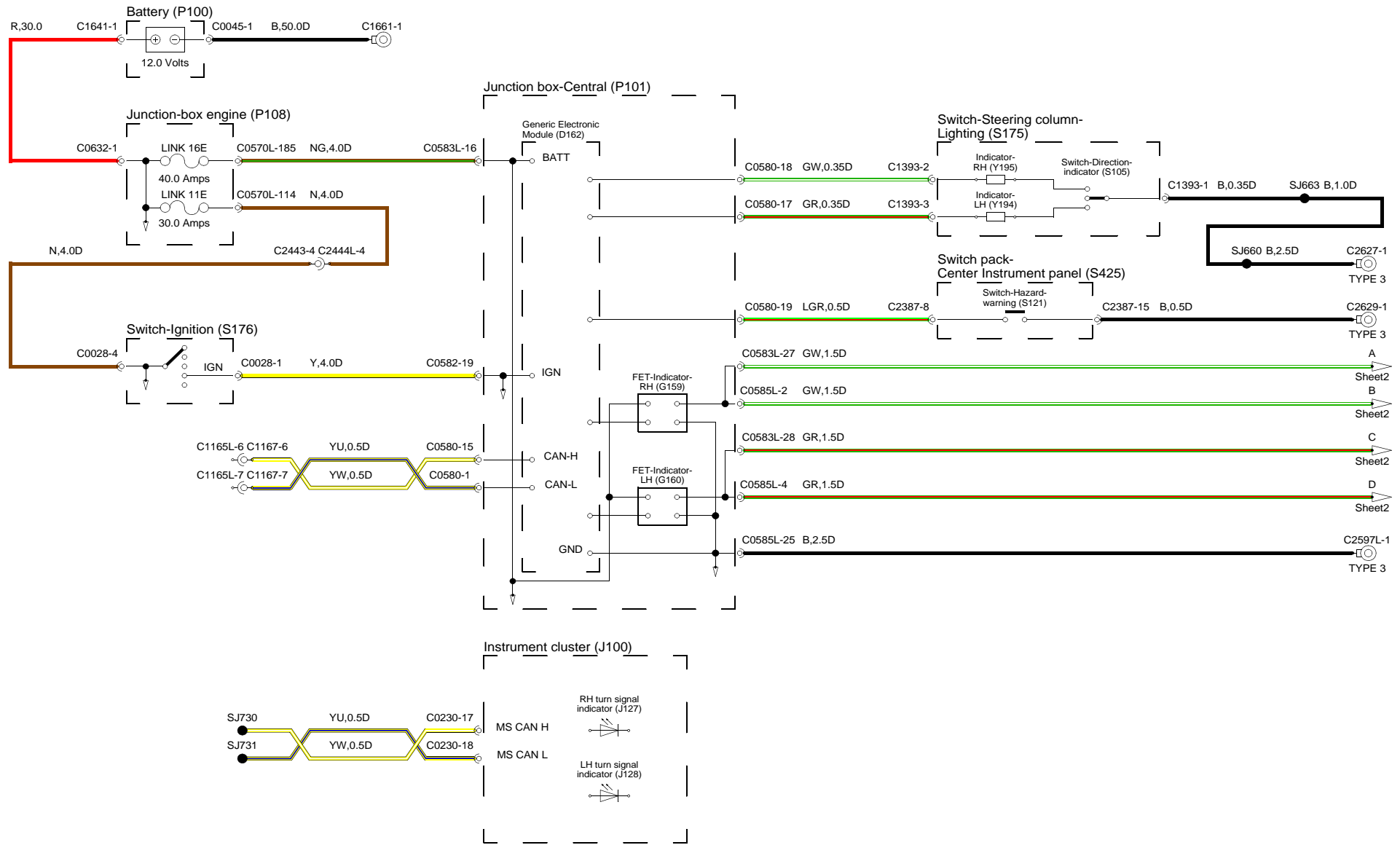


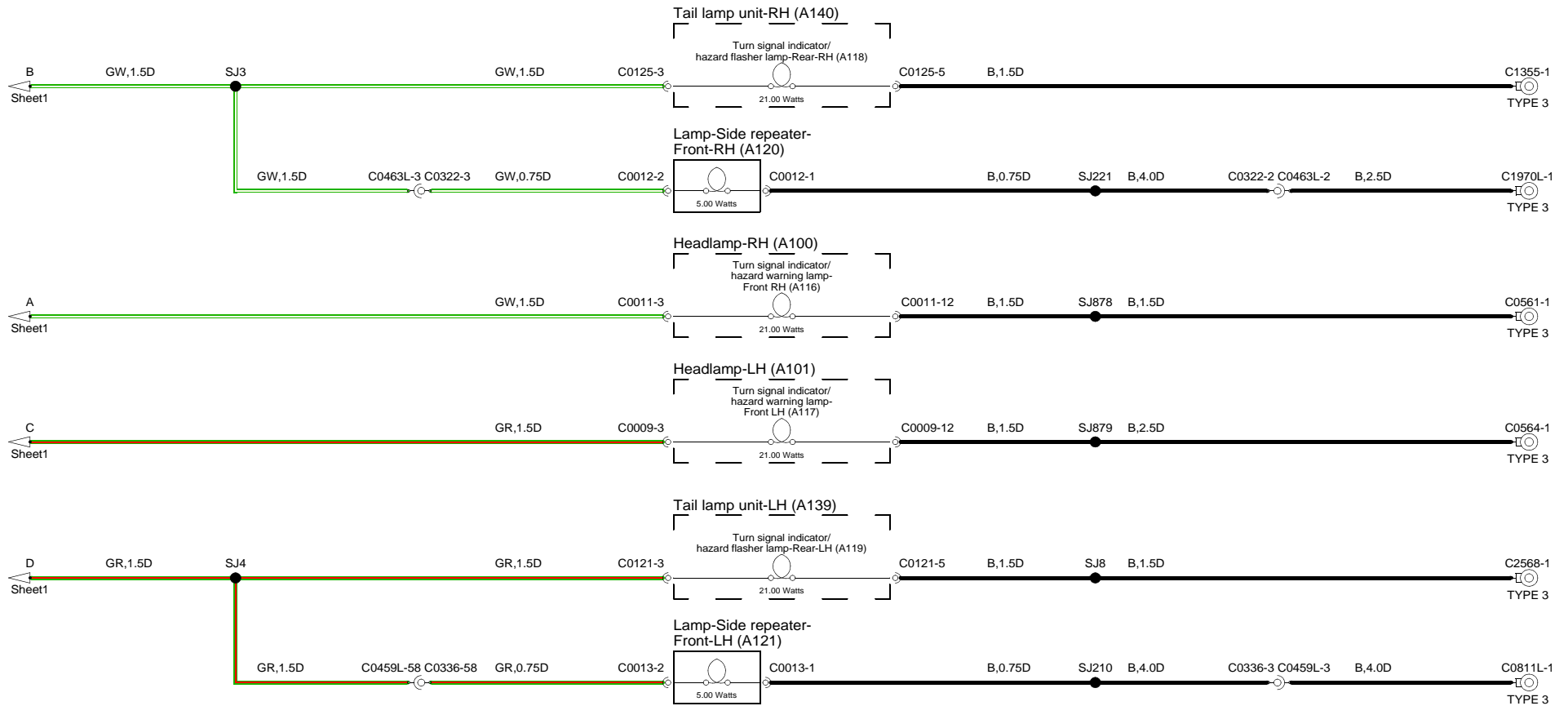


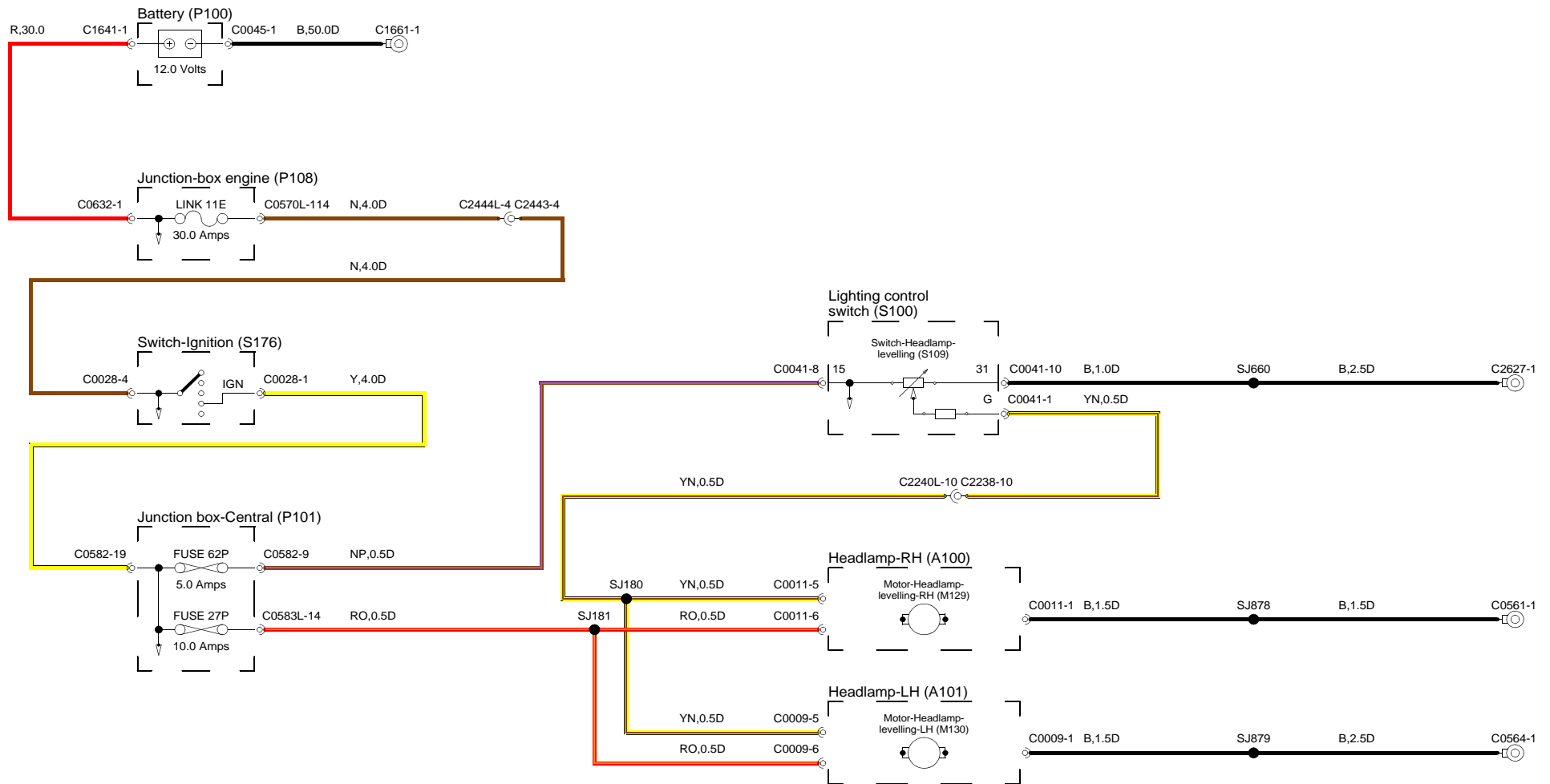


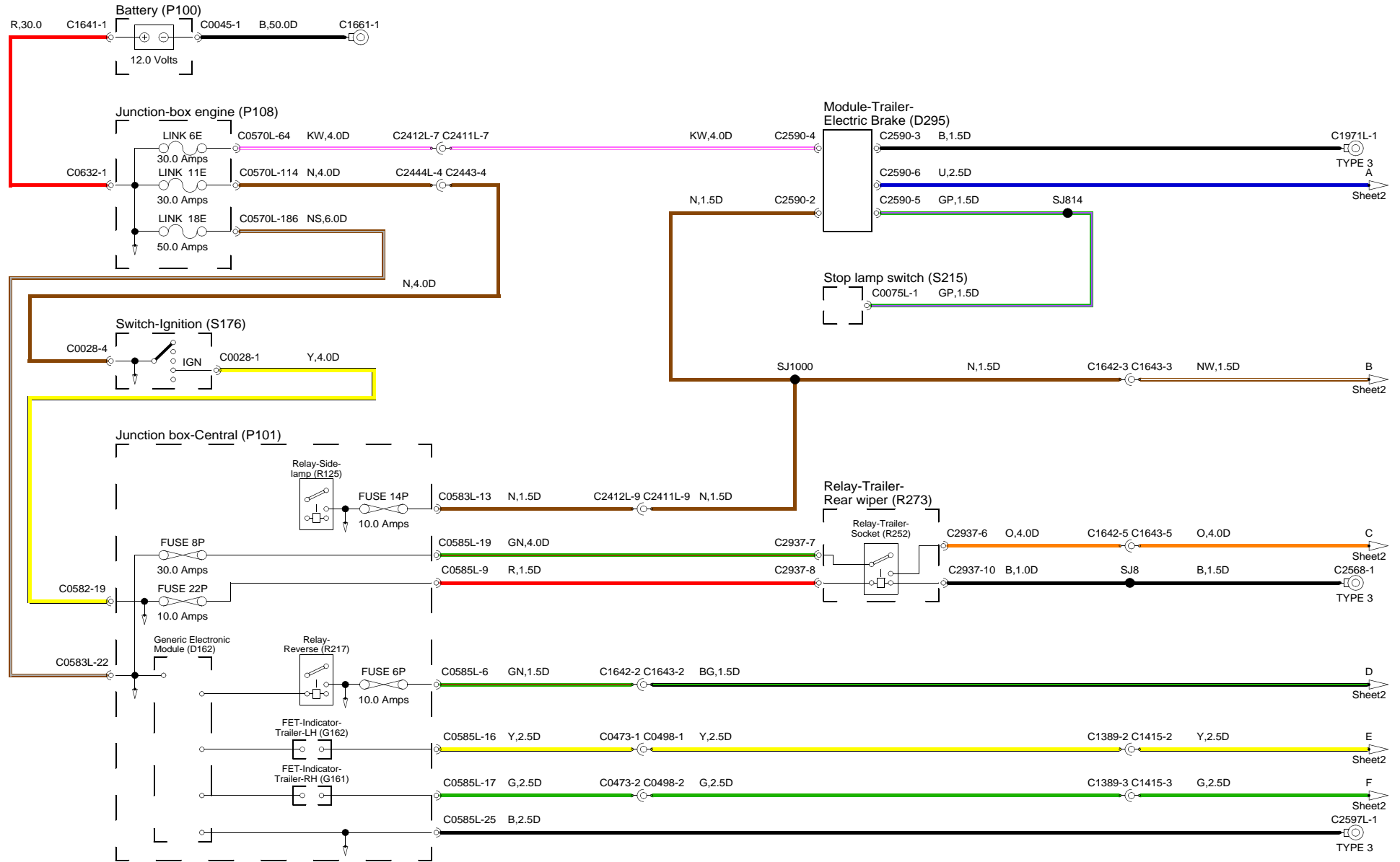


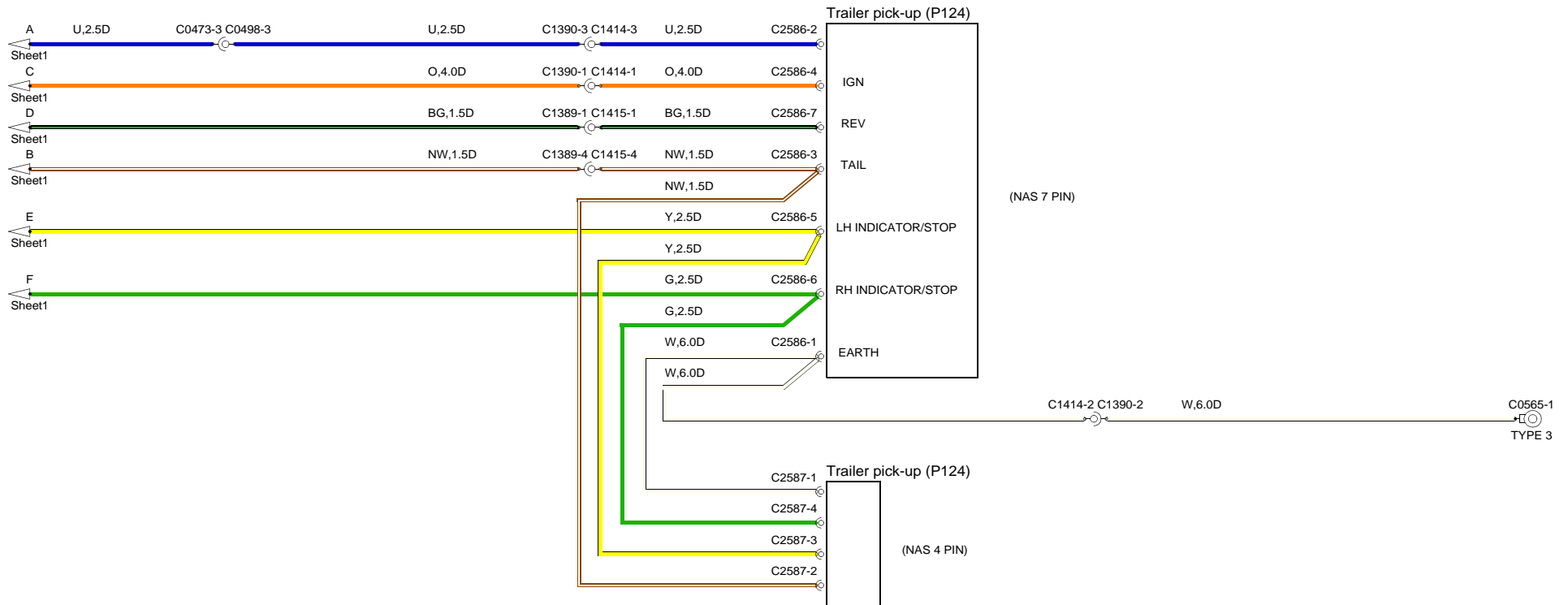




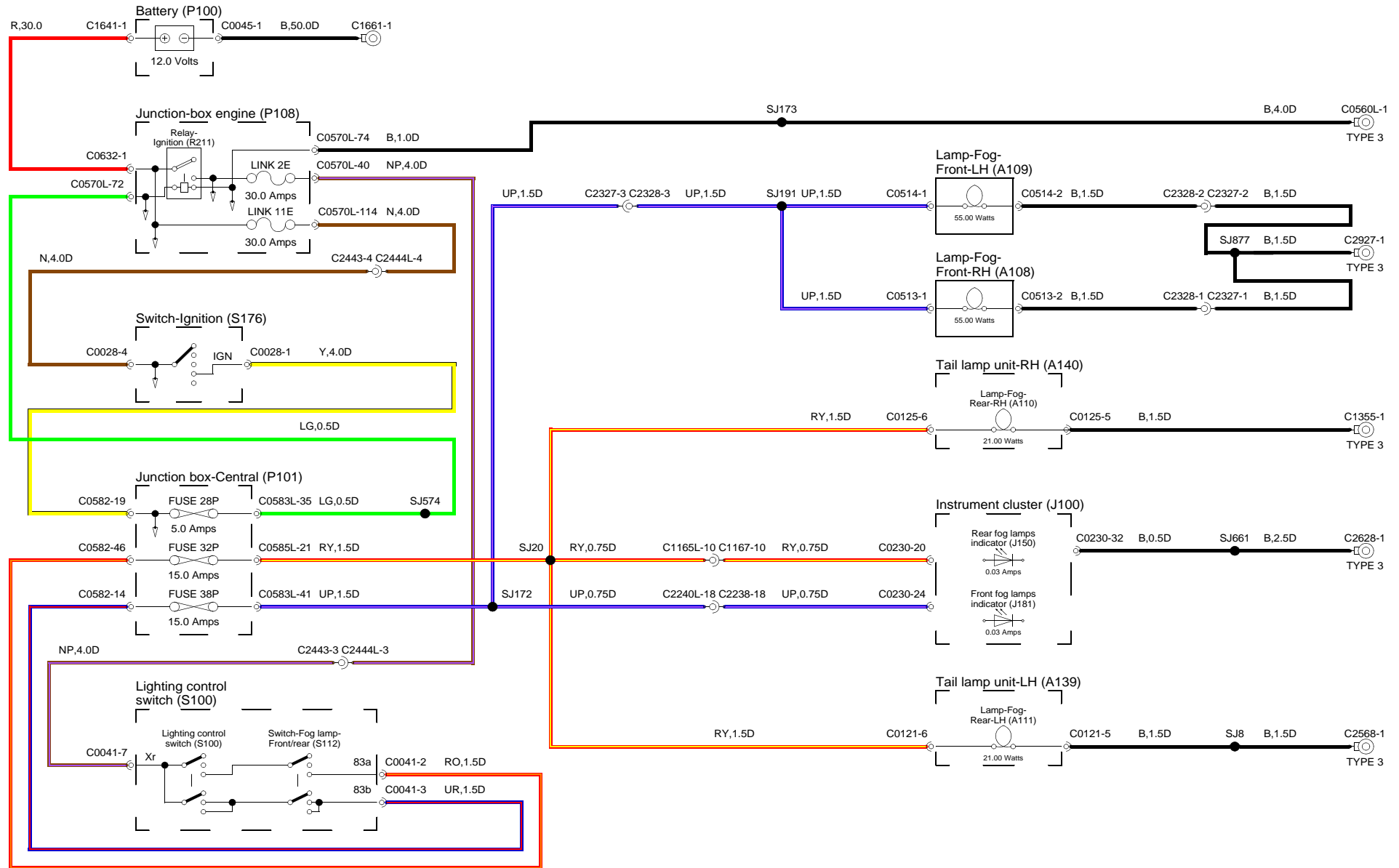


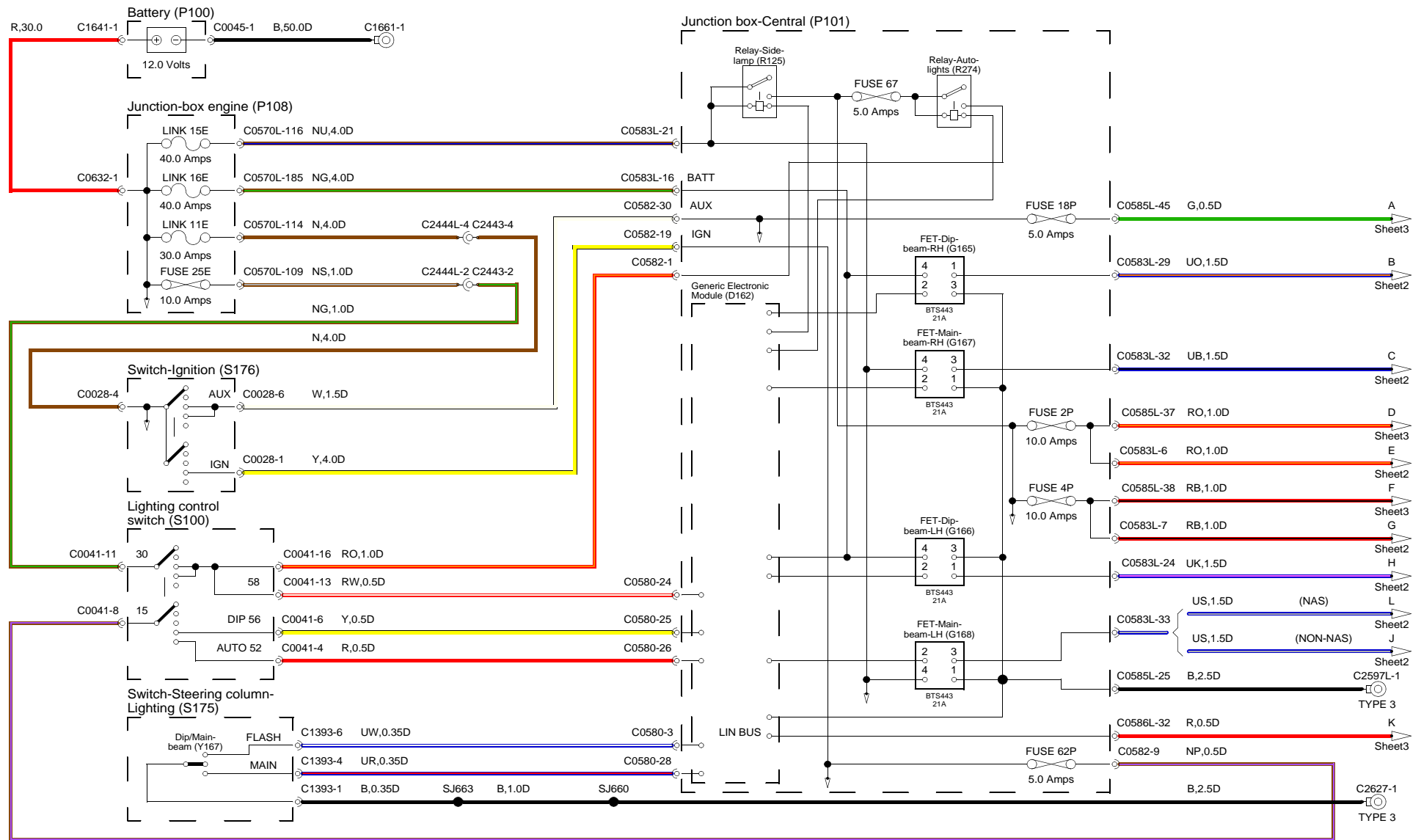


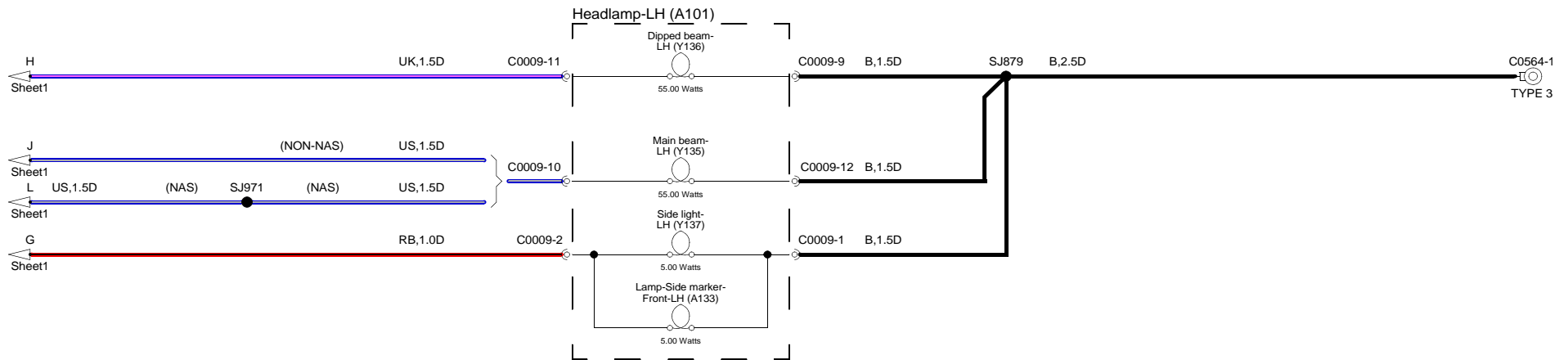
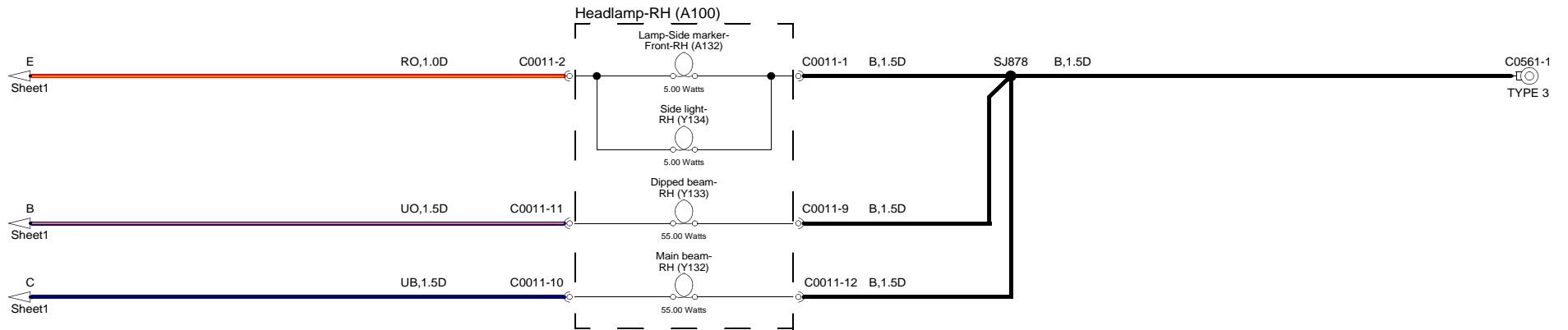


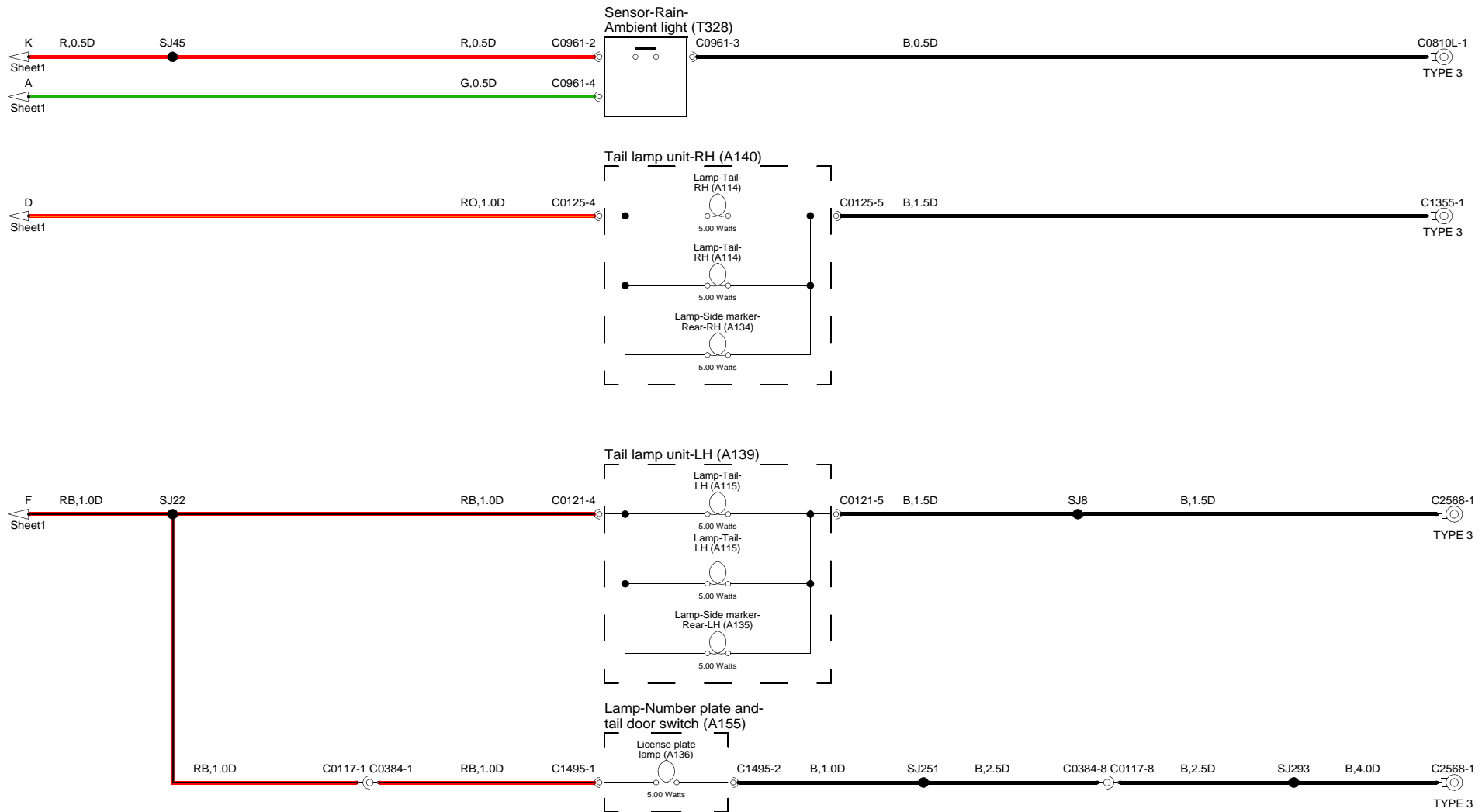


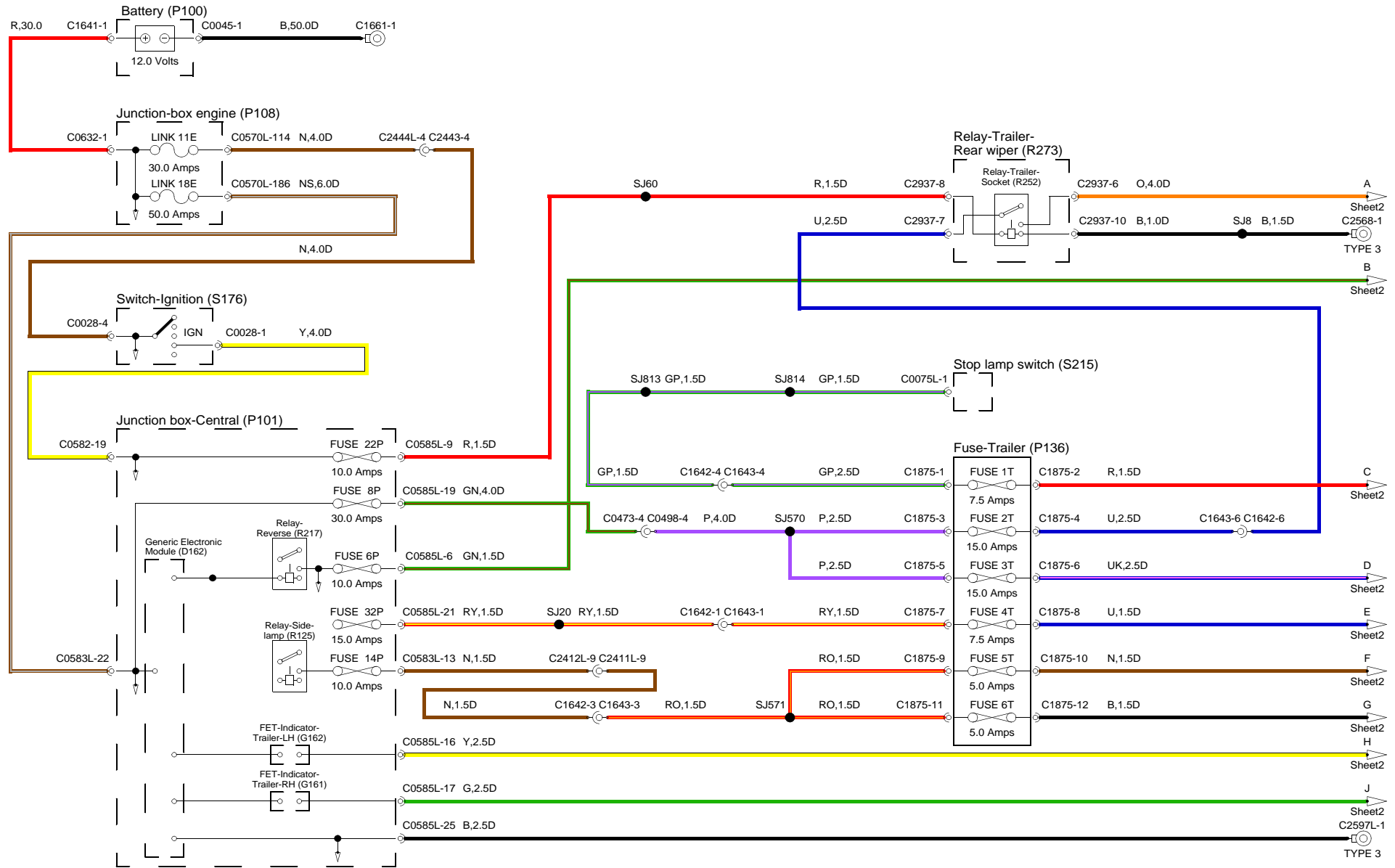


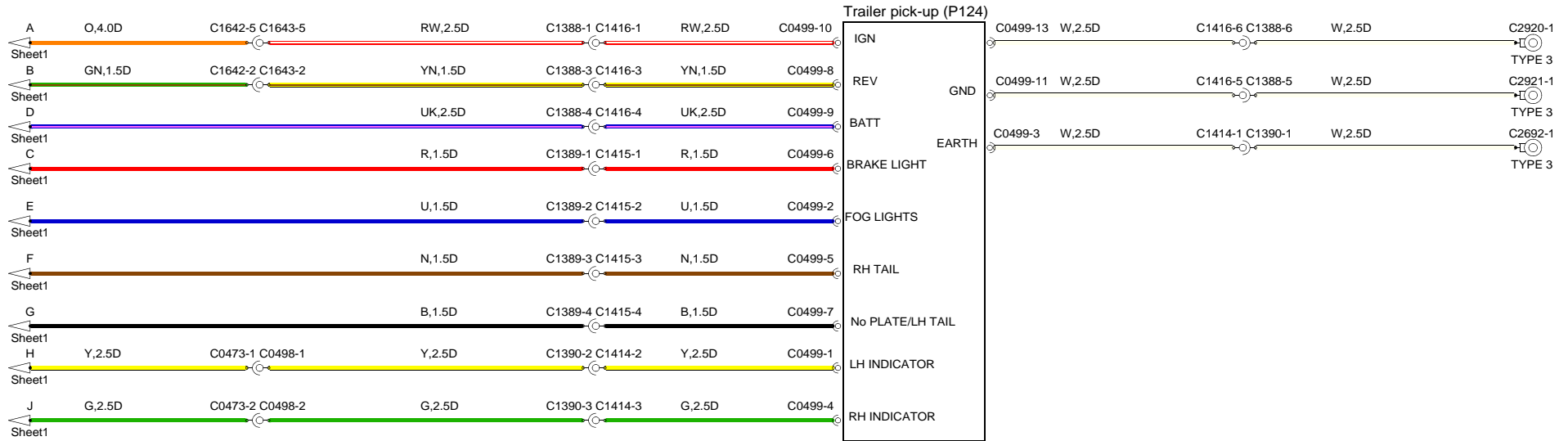


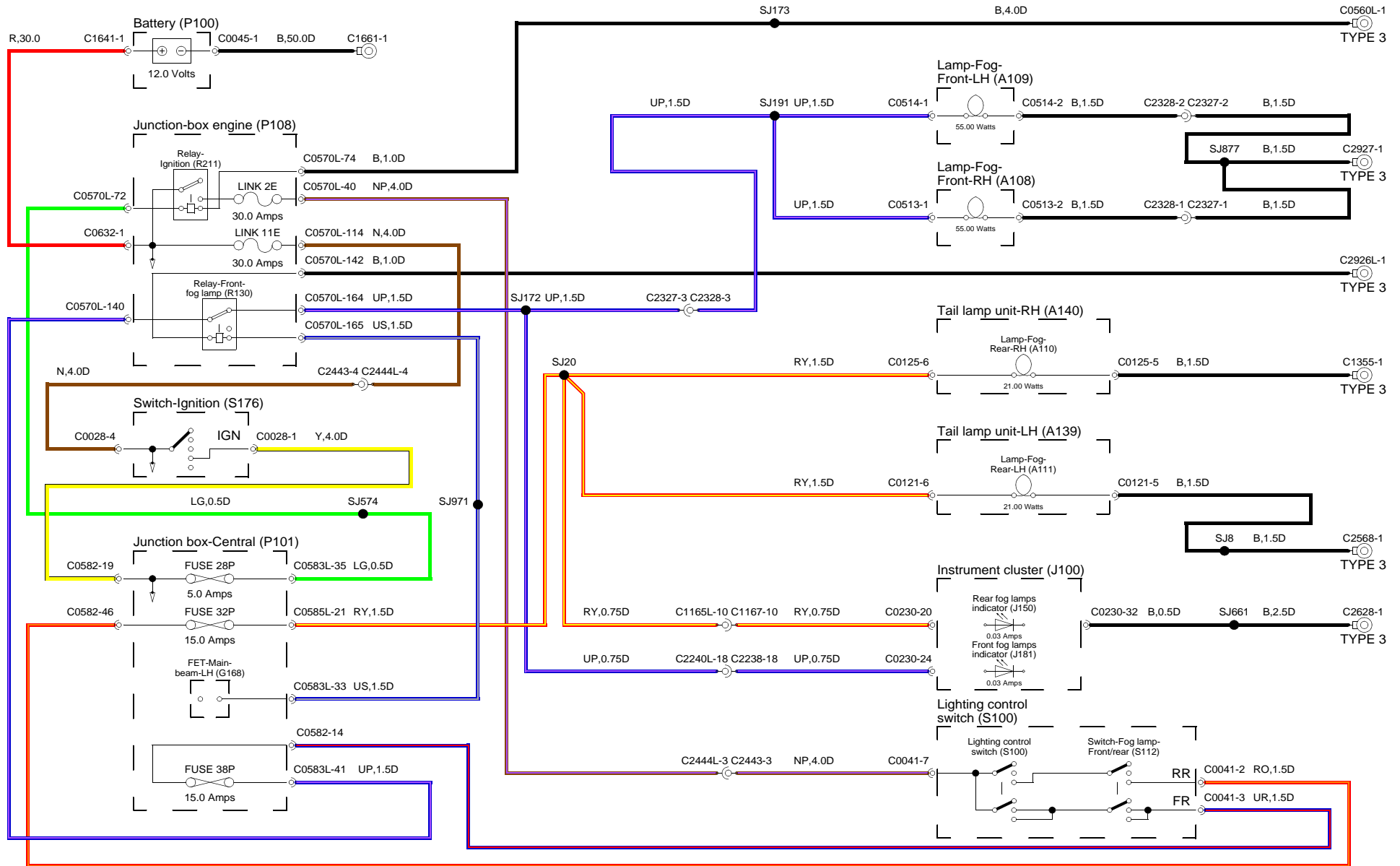






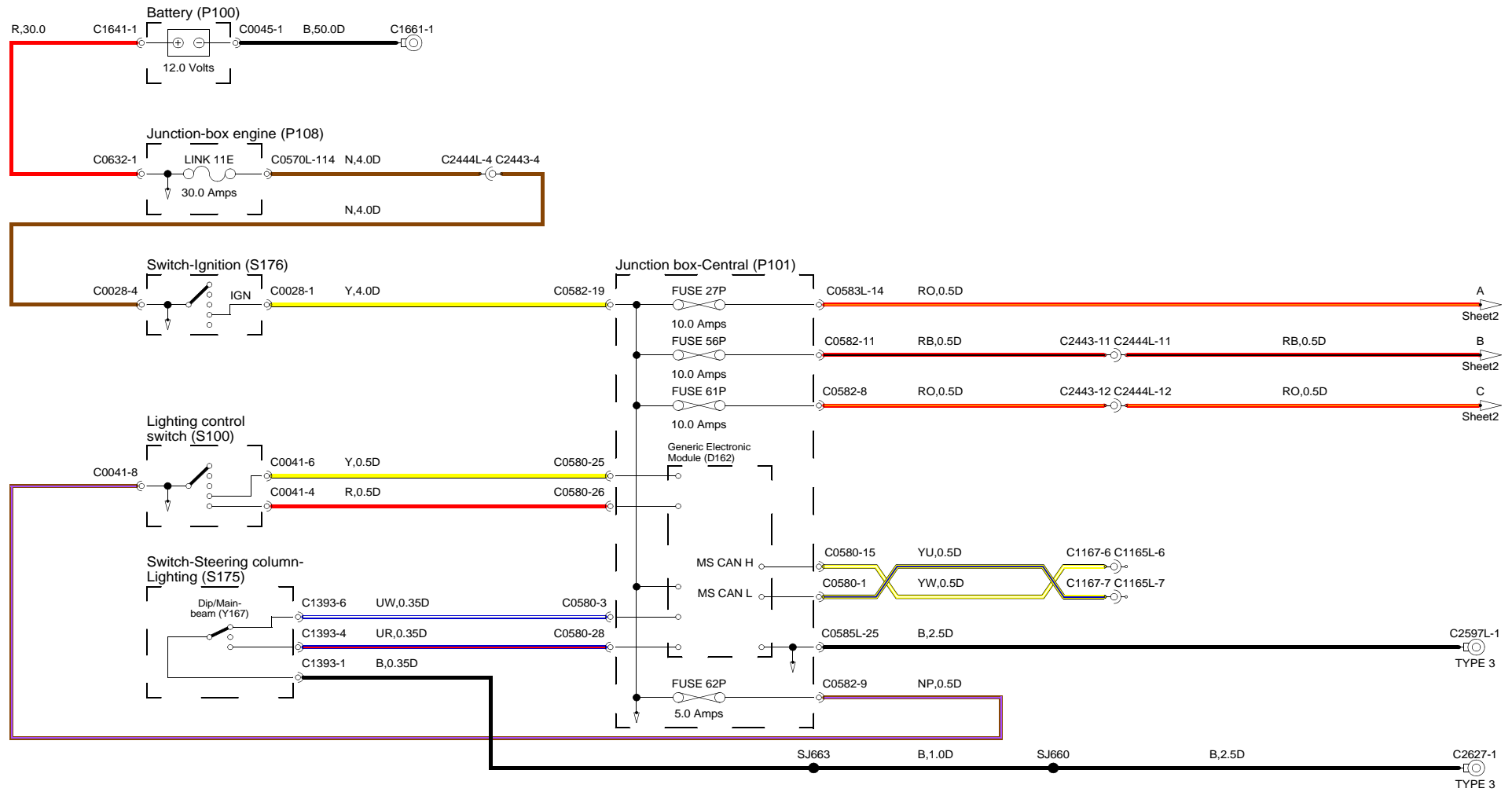


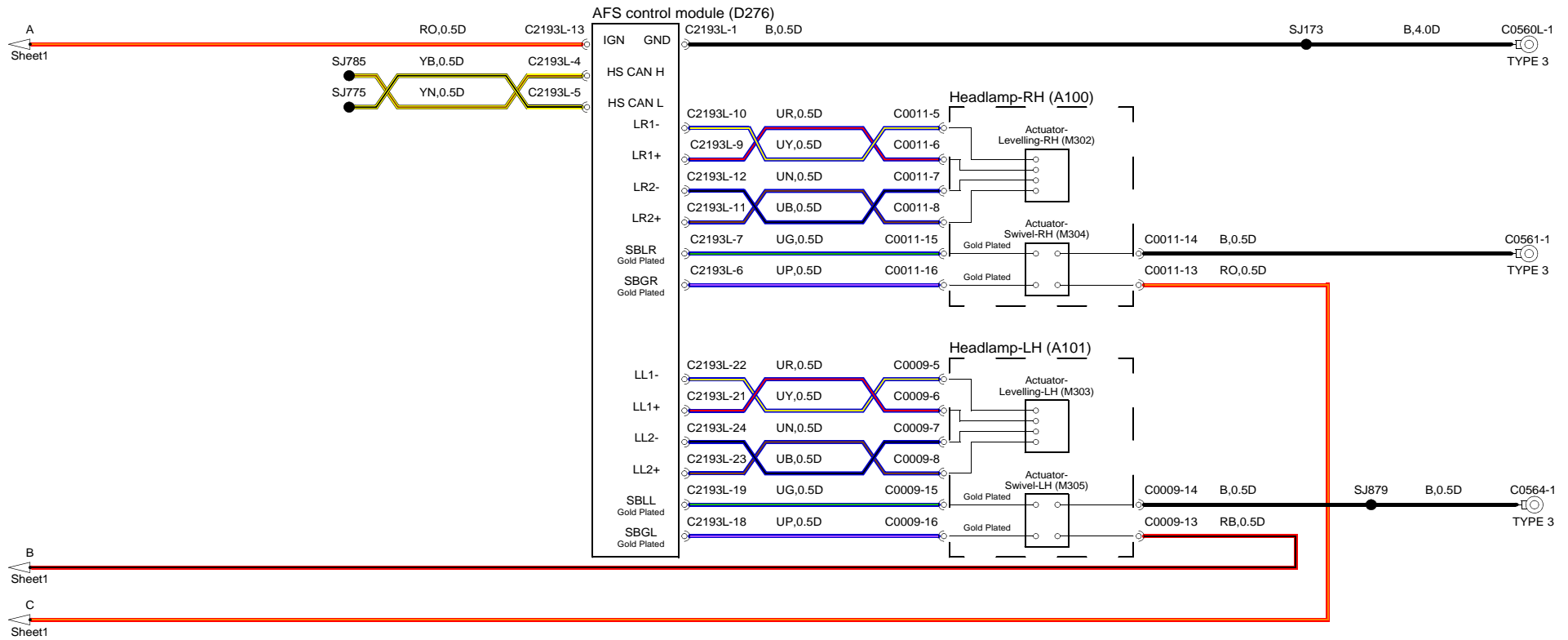


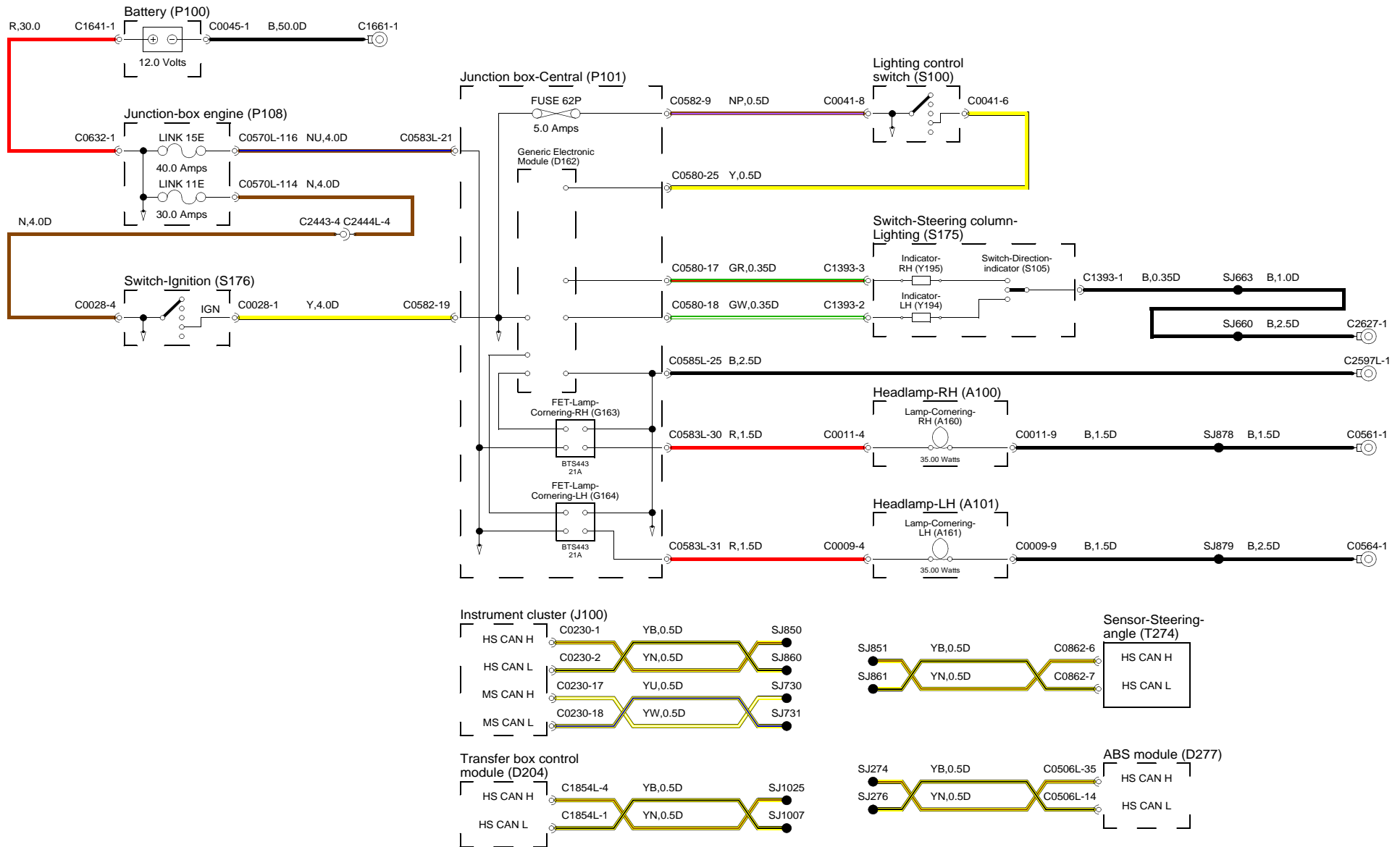




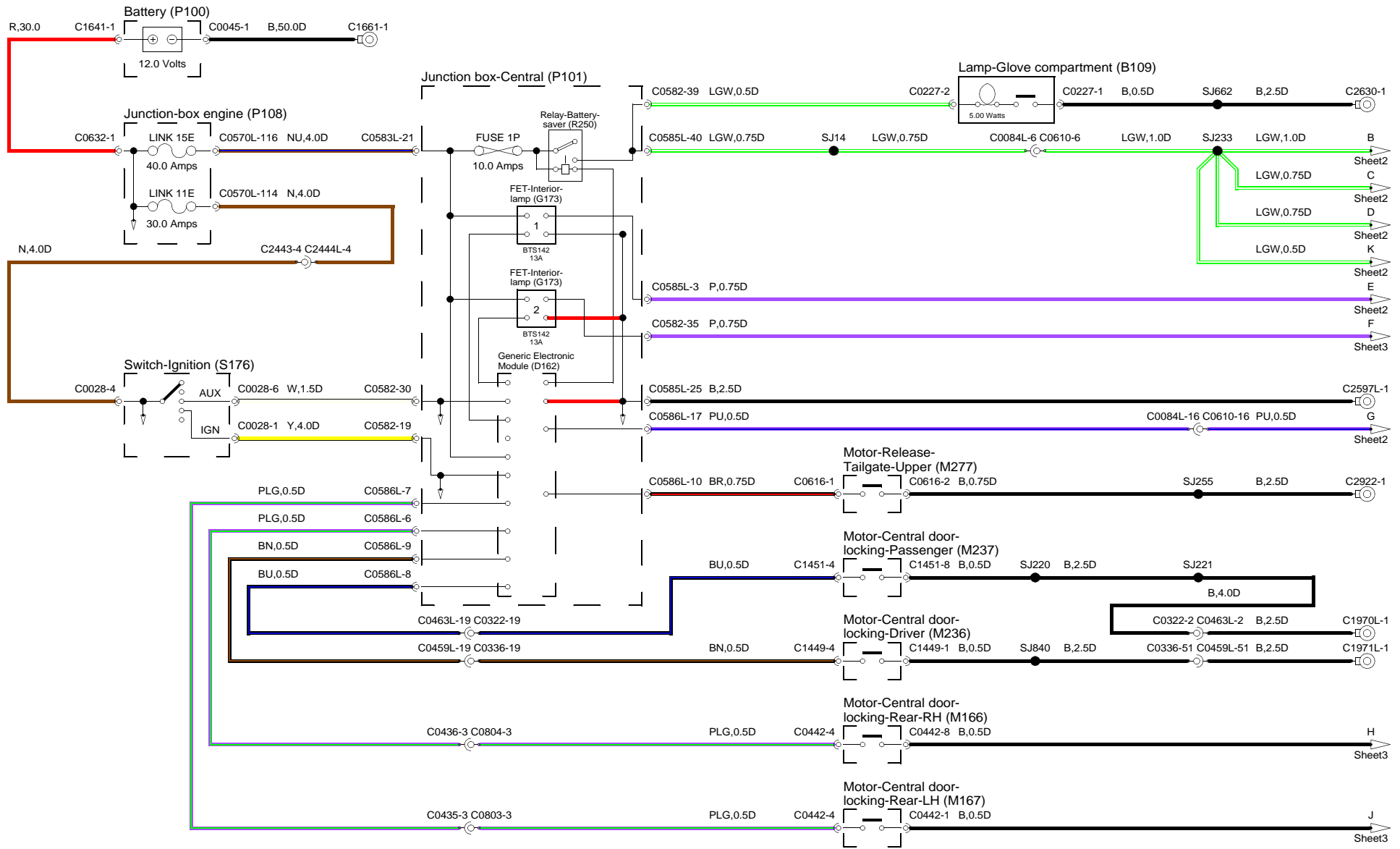




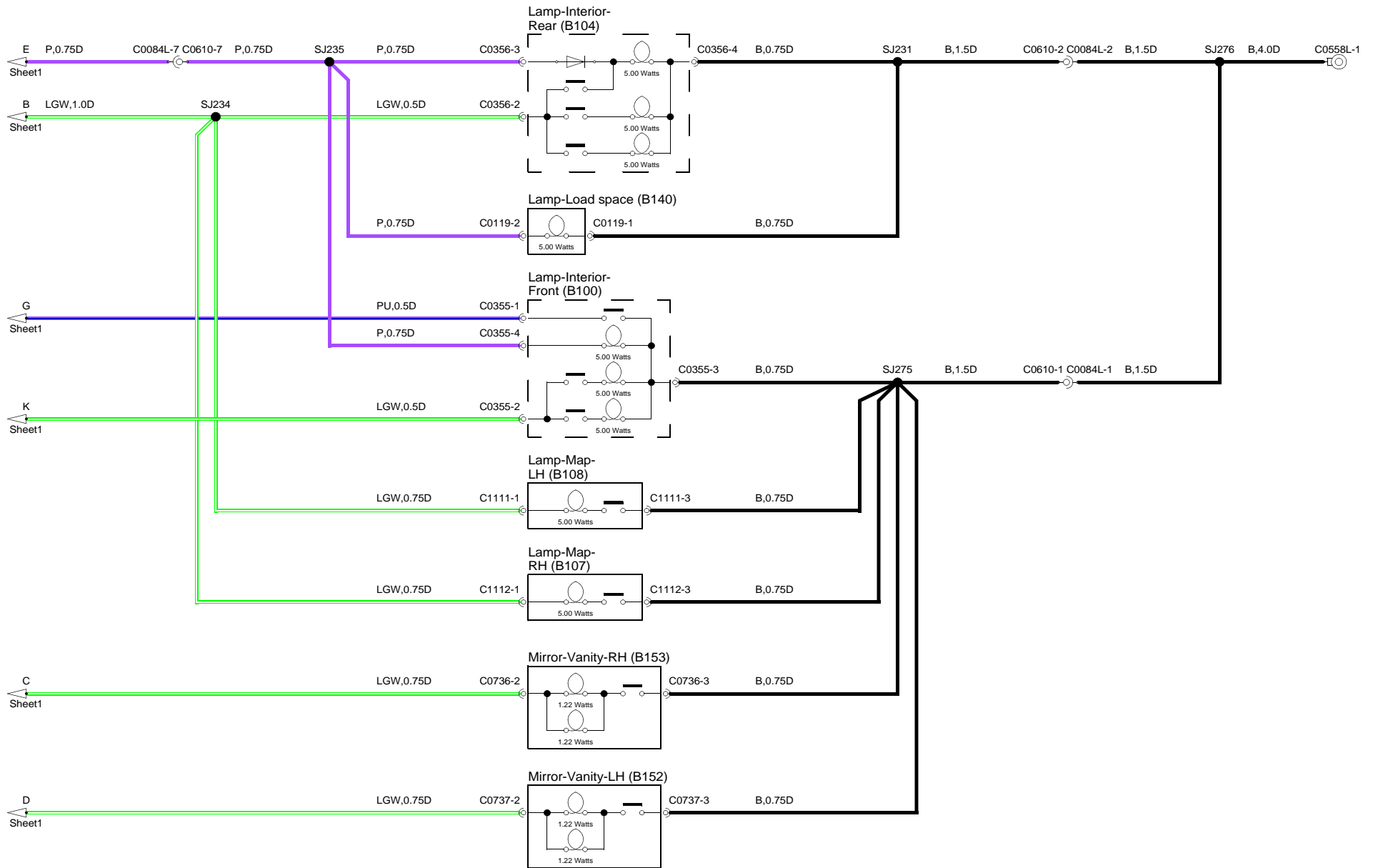




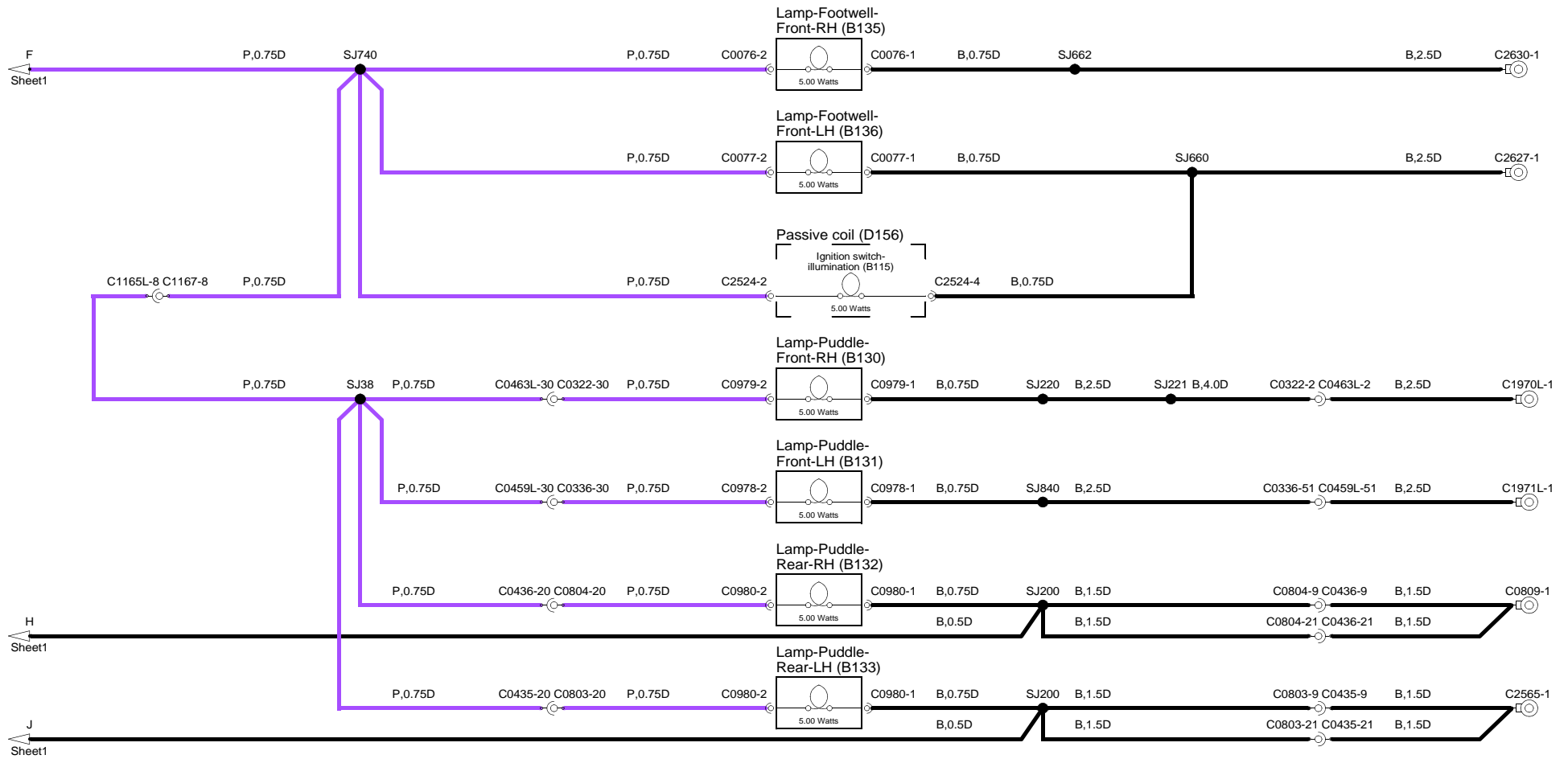
# 417-02 - INTERIOR LIGHTING

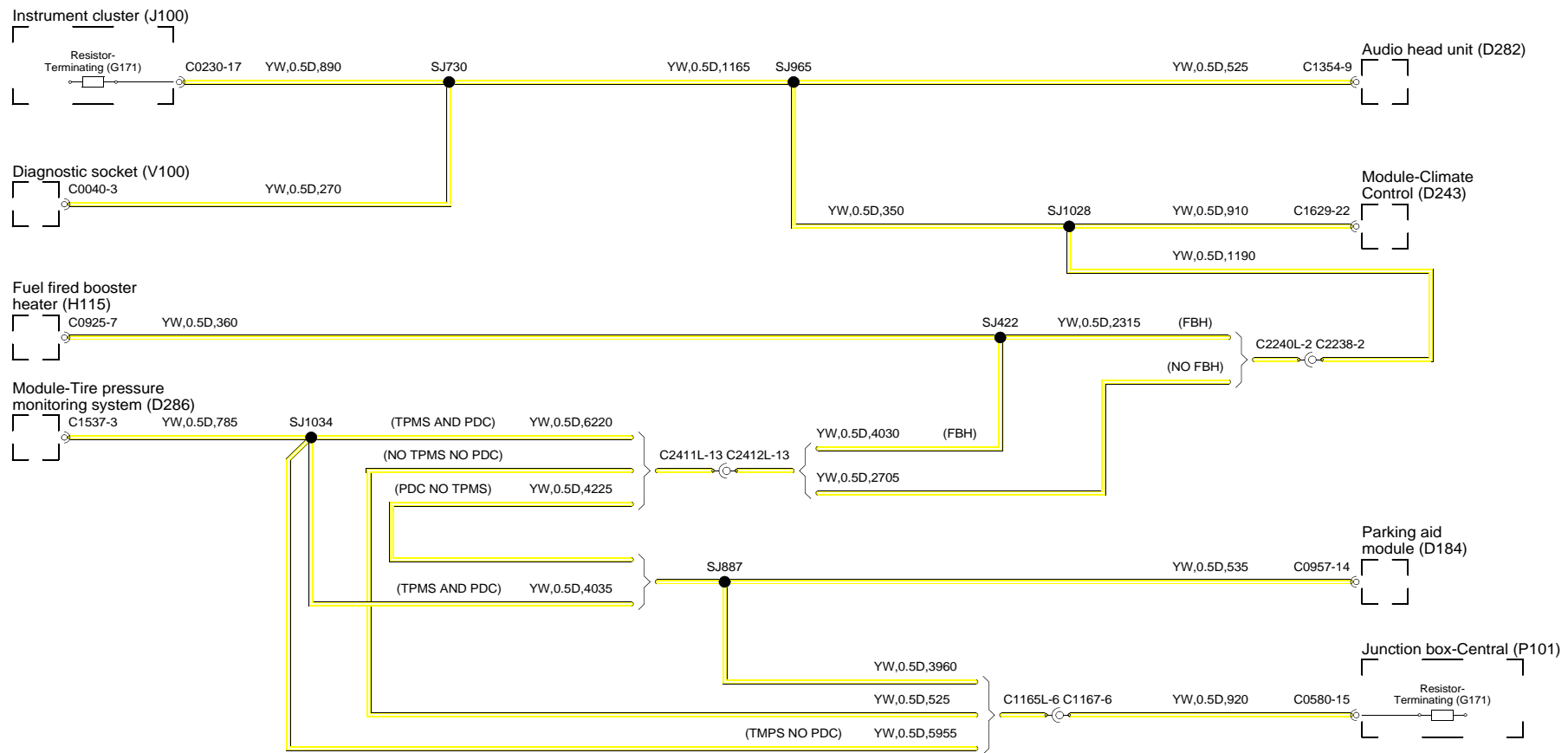


# 417-02 - INTERIOR LIGHTING

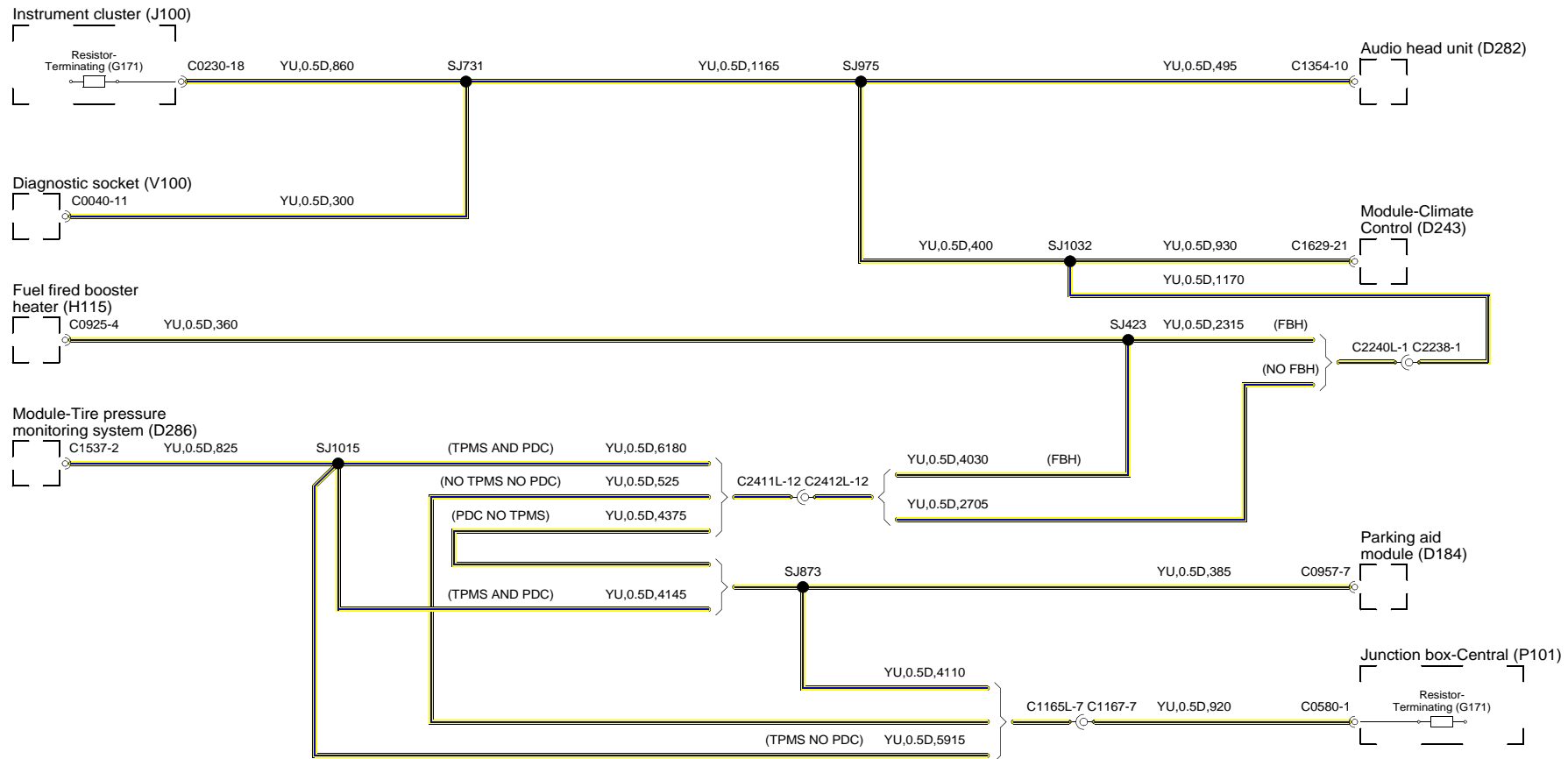


# 417-02 - INTERIOR LIGHTING



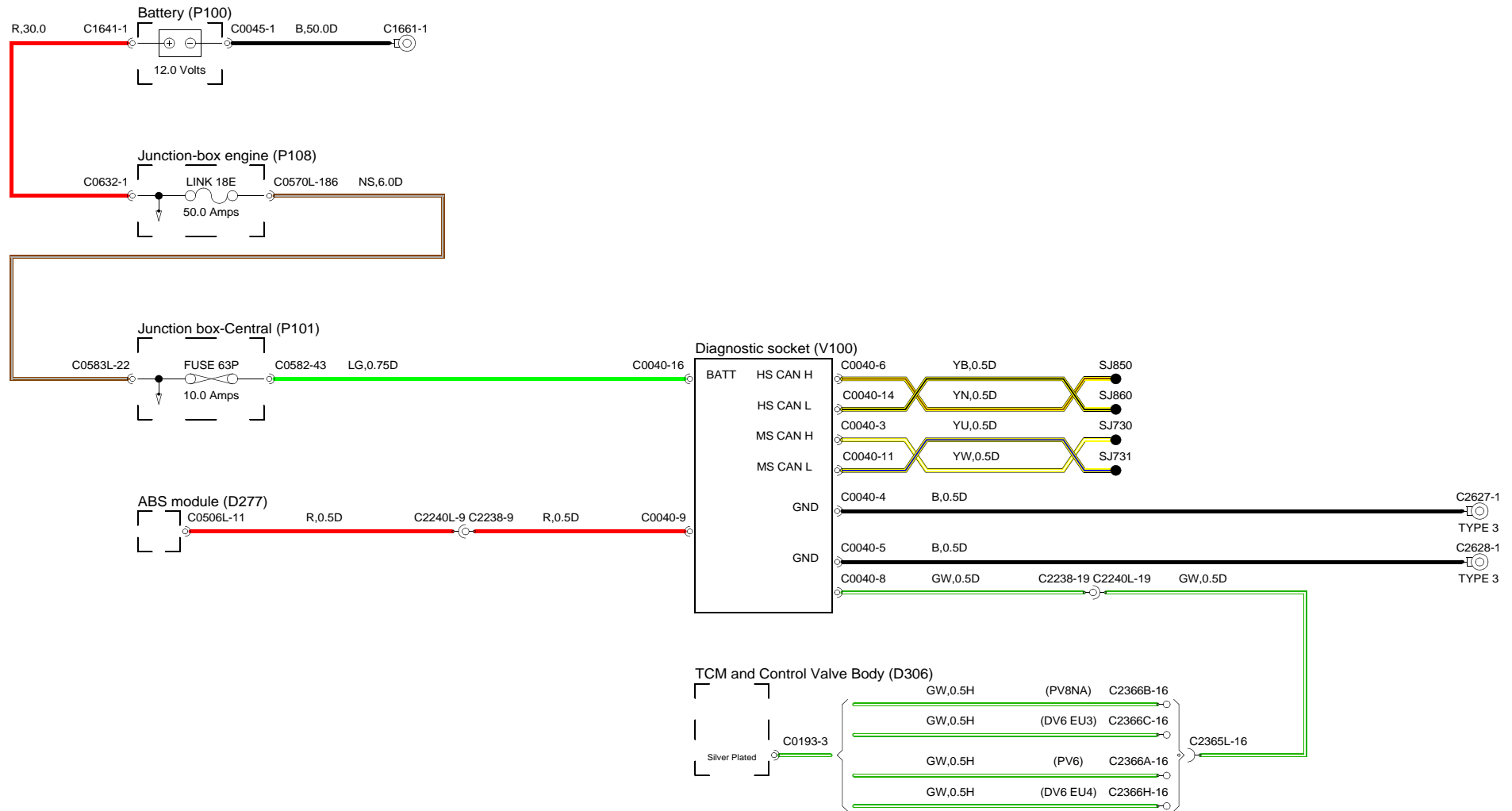


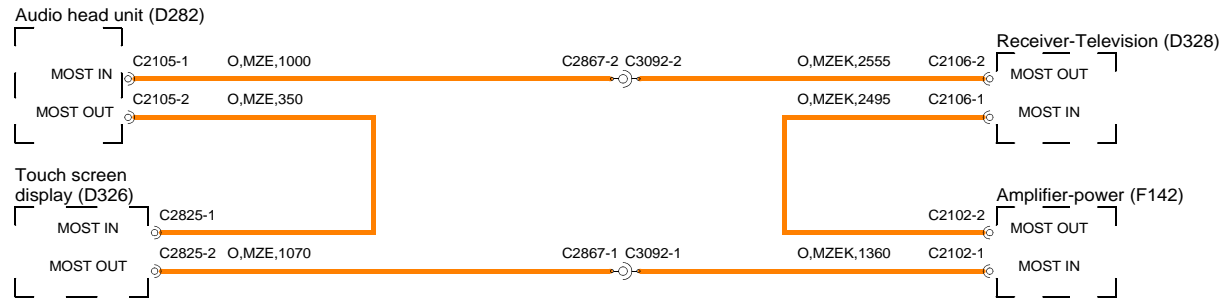
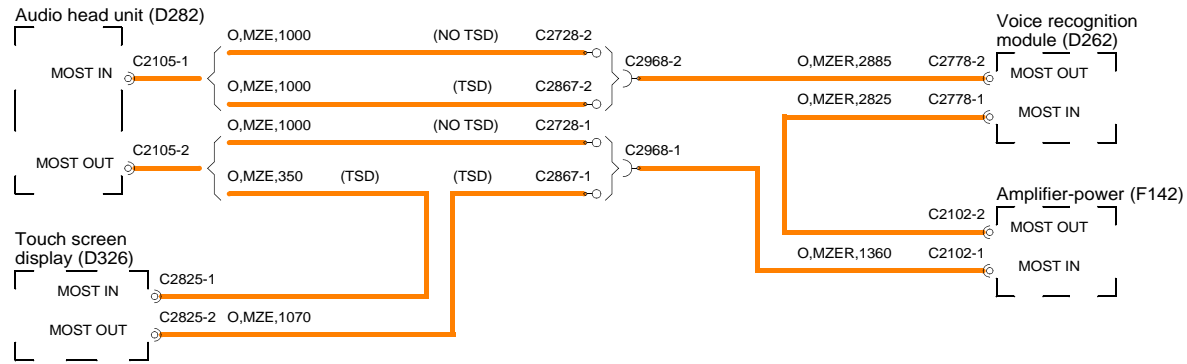
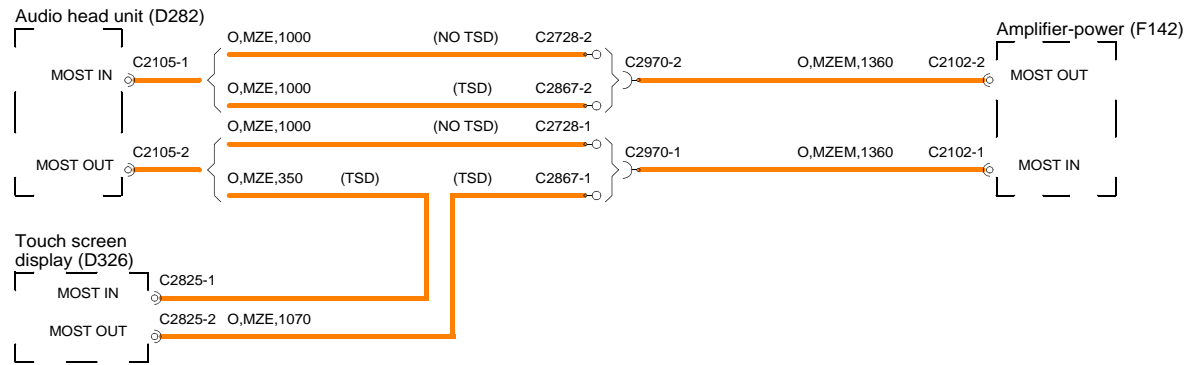
MS CAN\_H

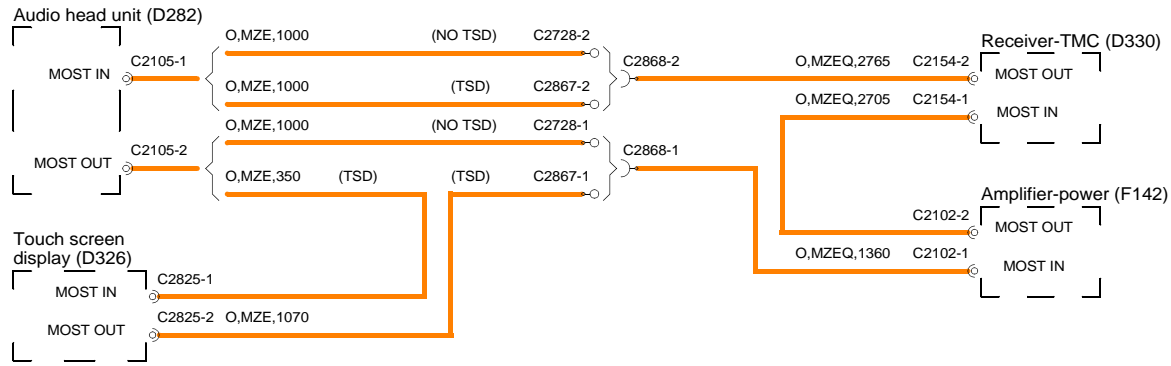
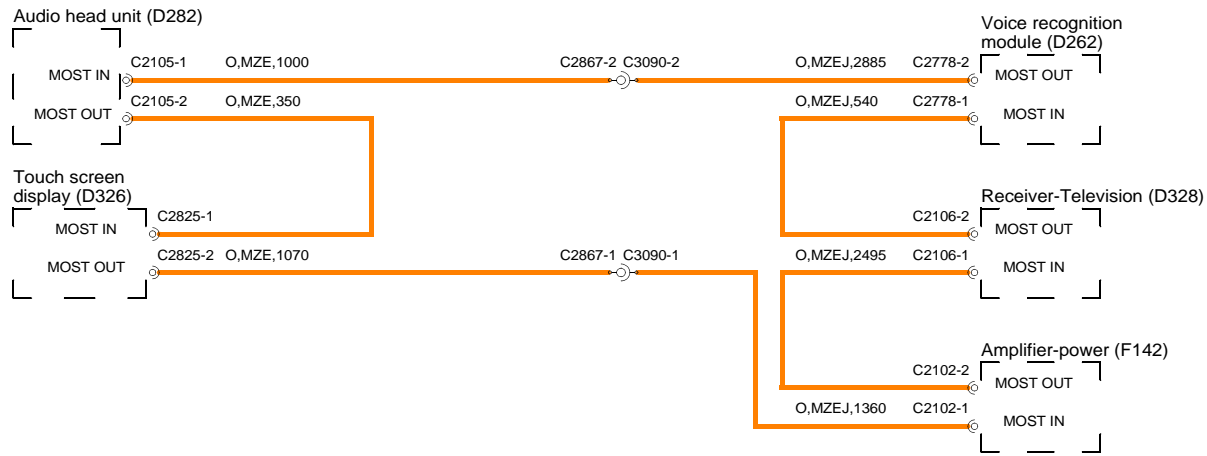


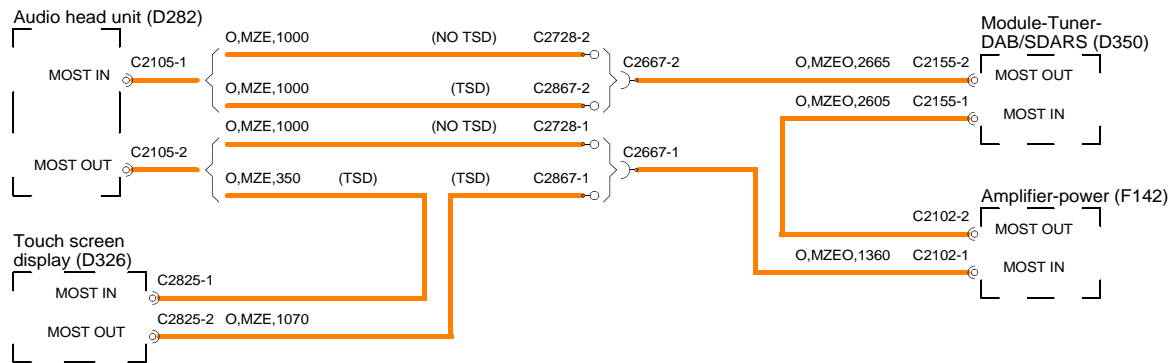
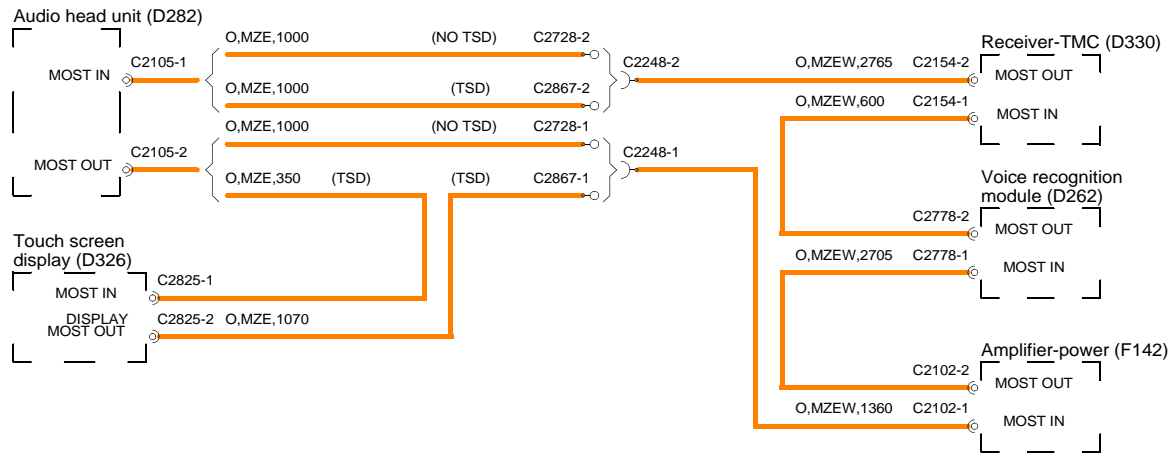
MS CAN\_L

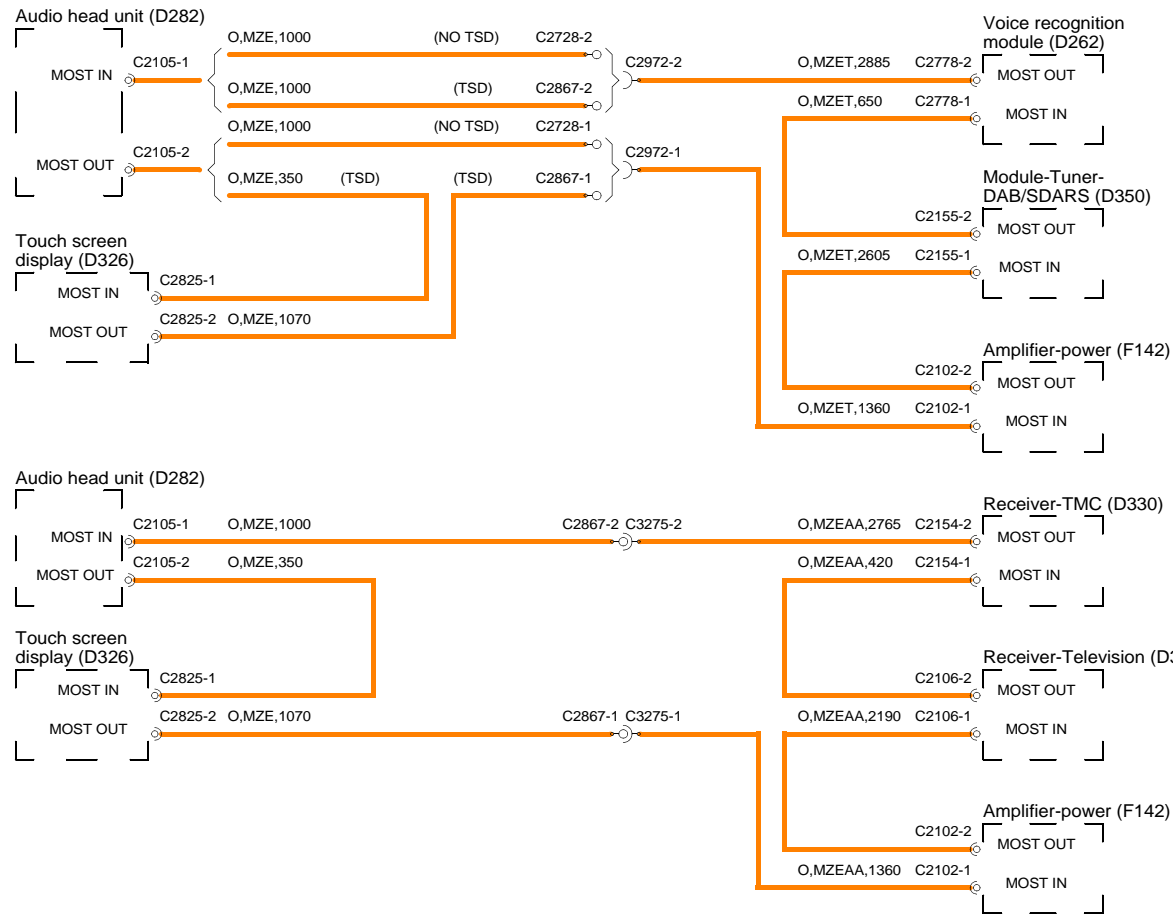


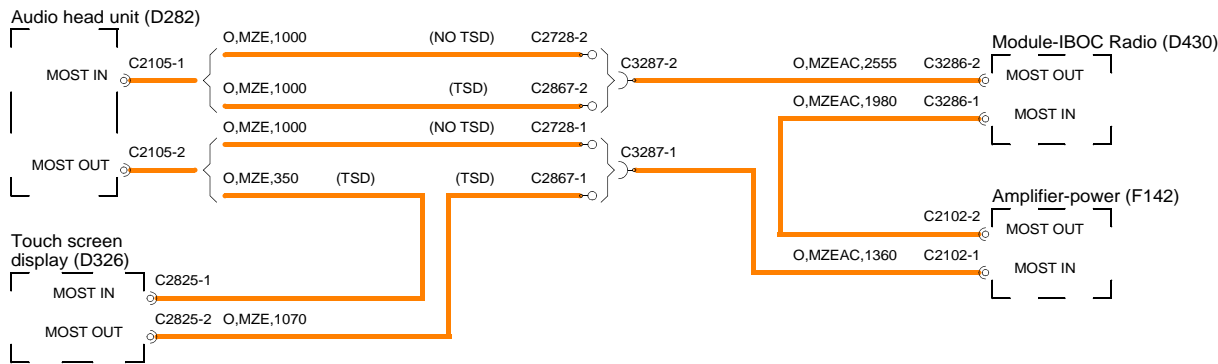
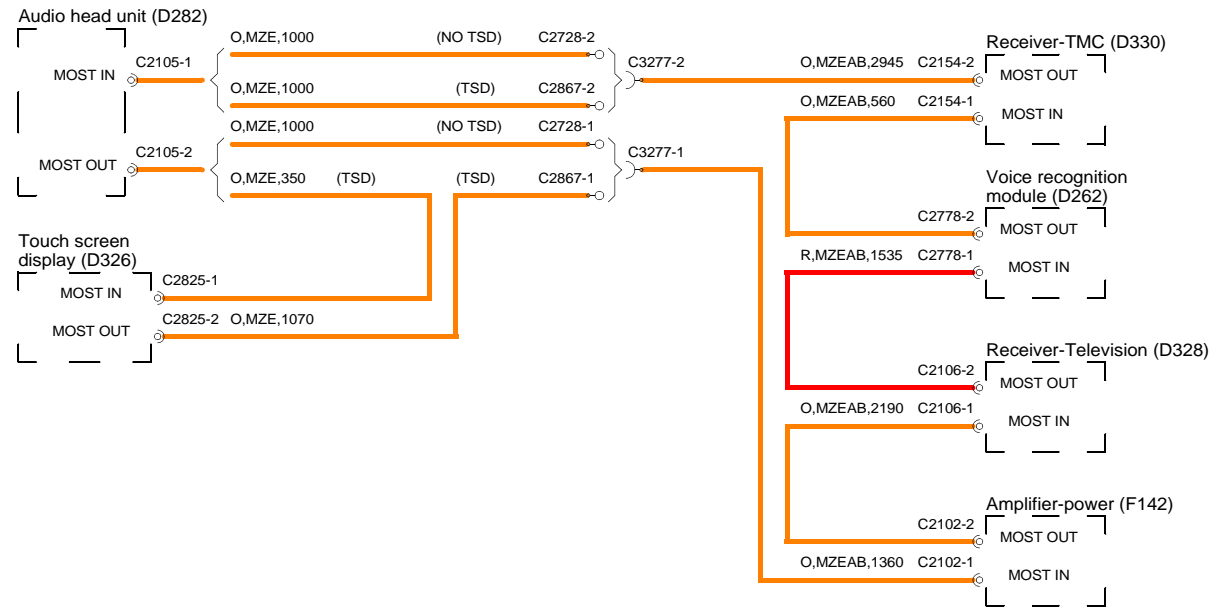


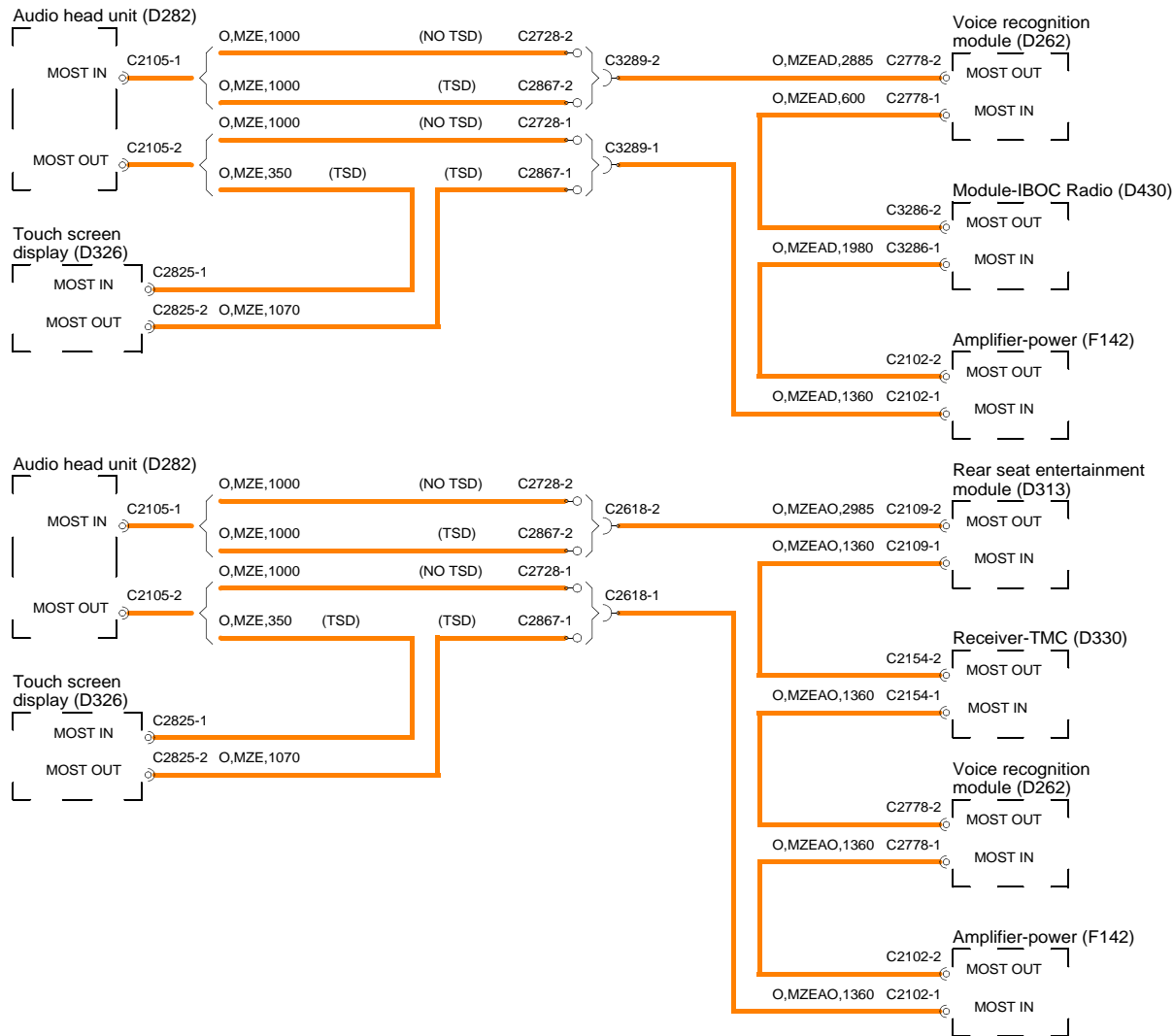


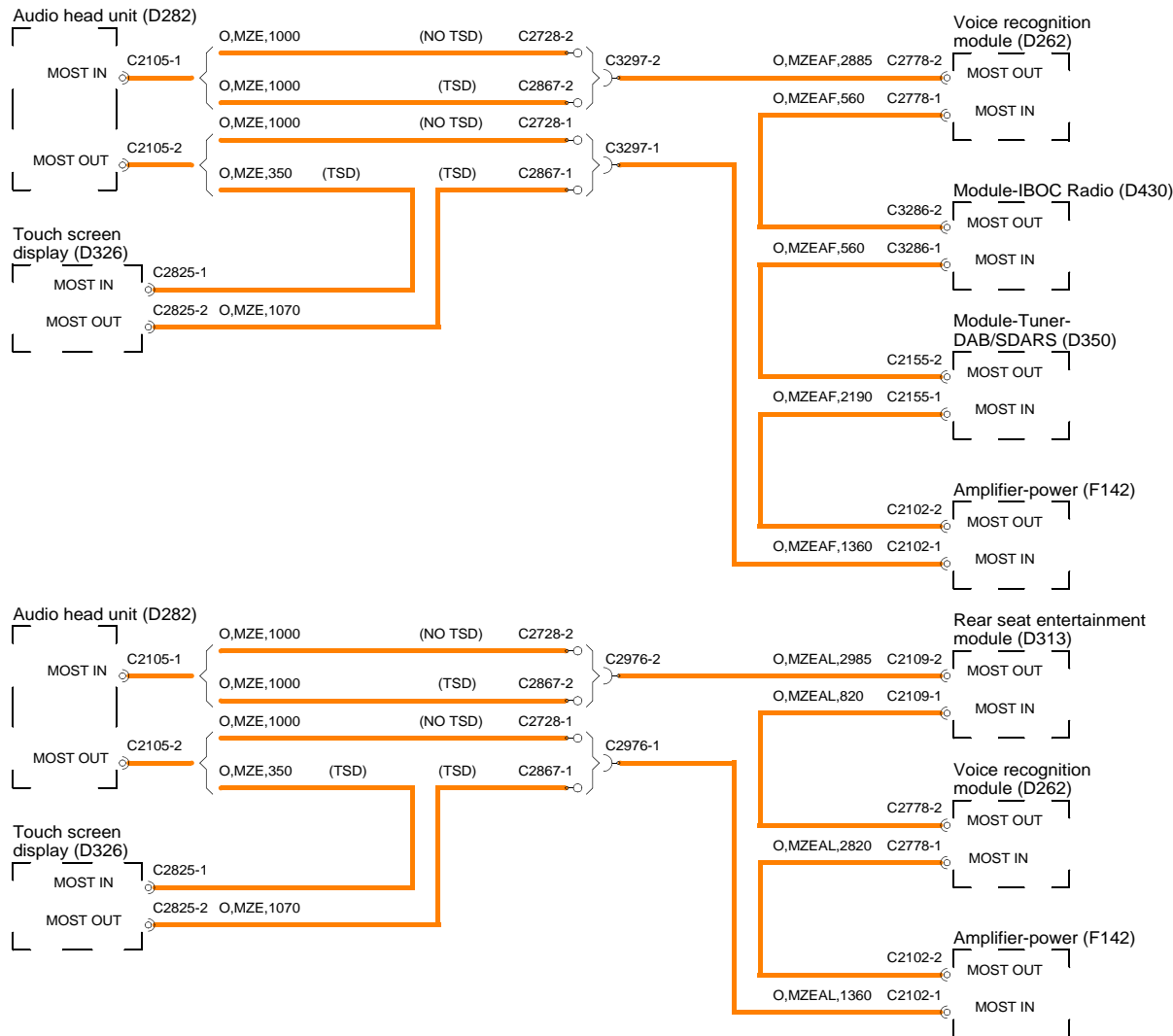




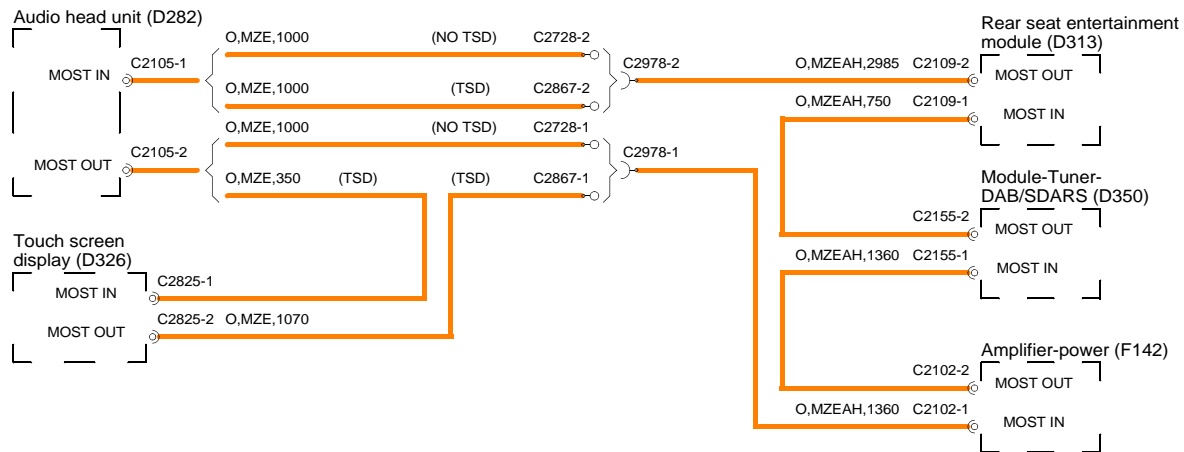
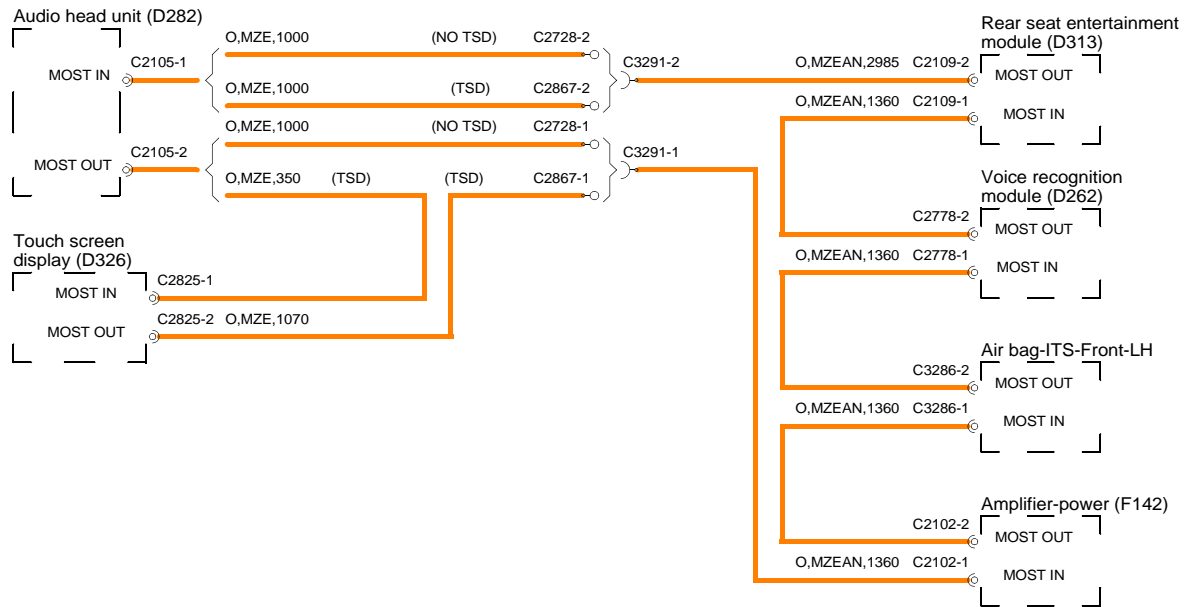


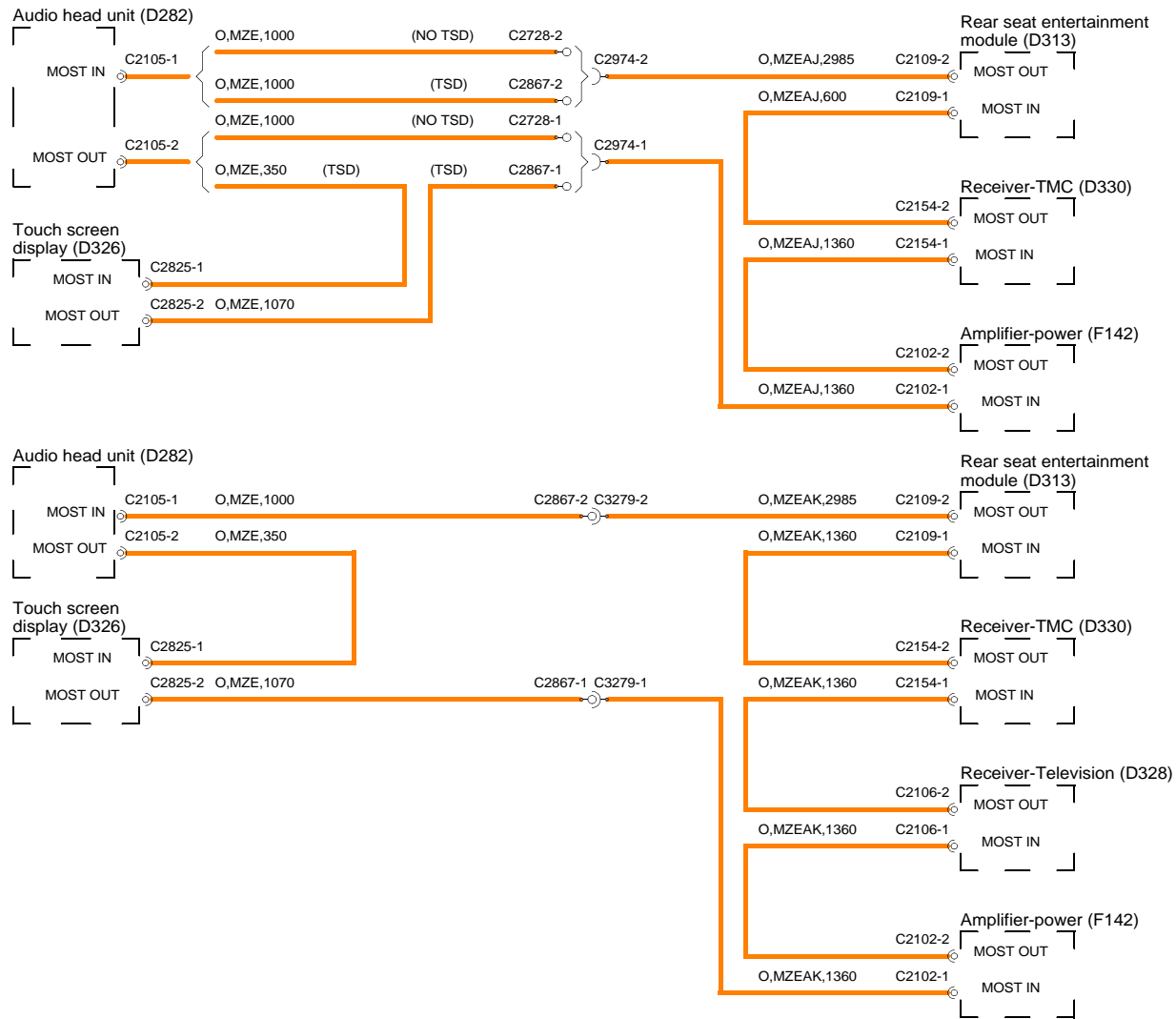


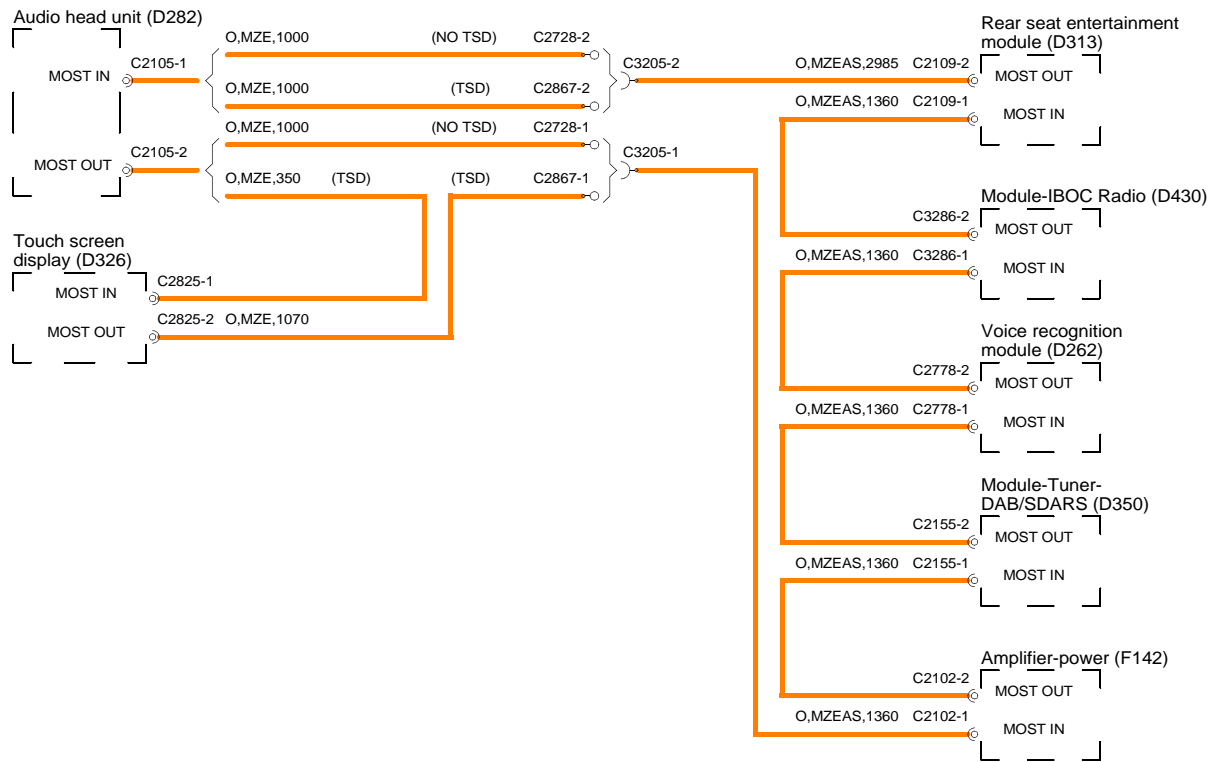
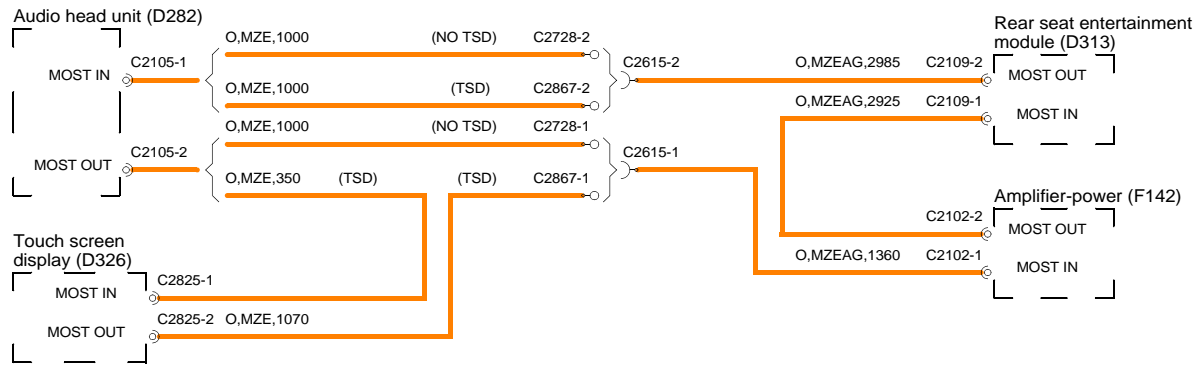


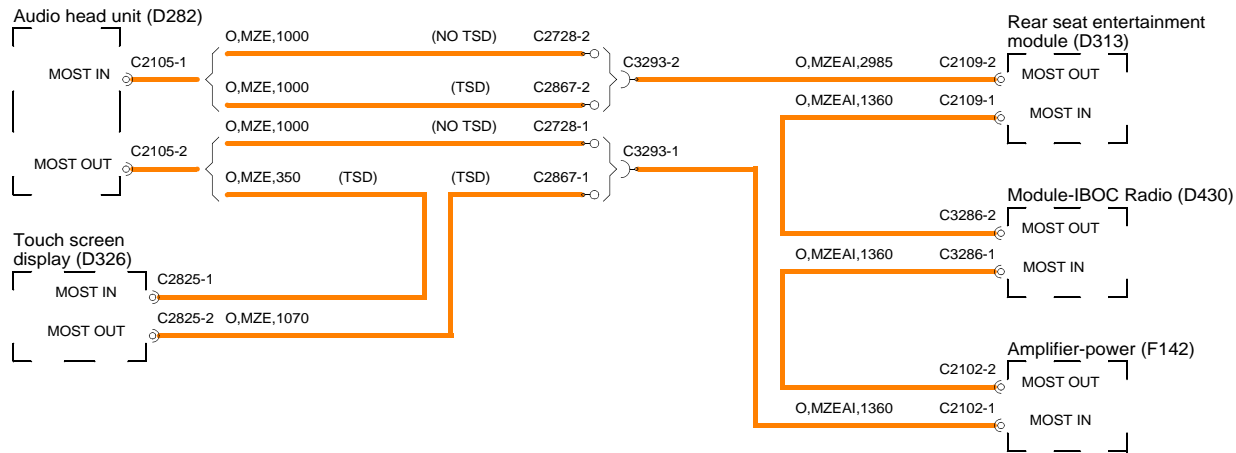
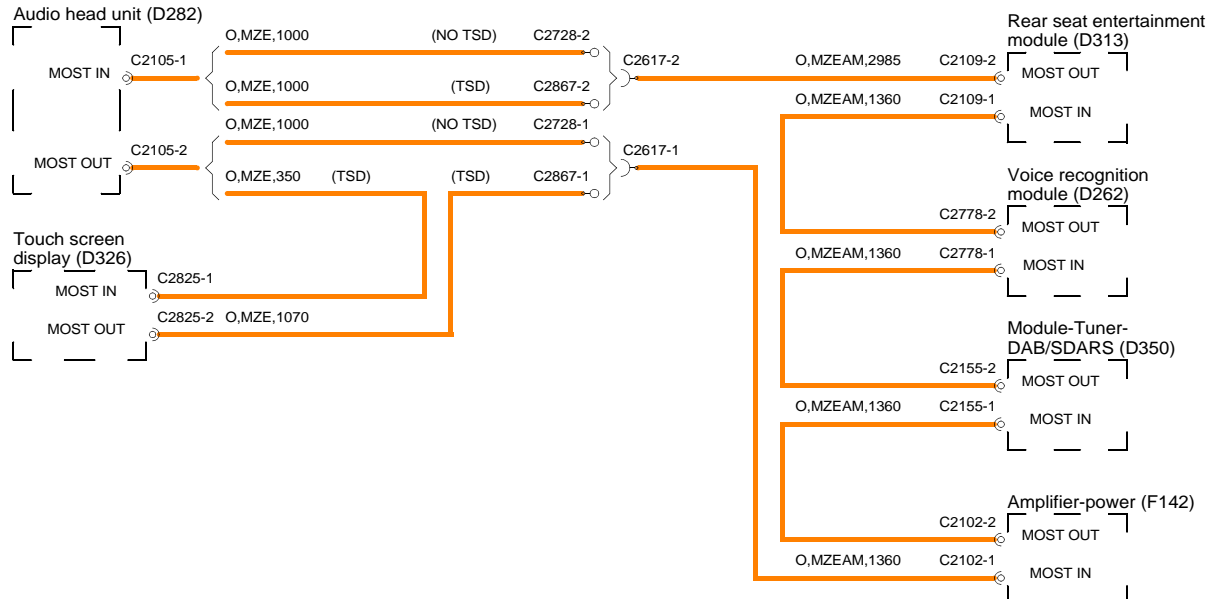


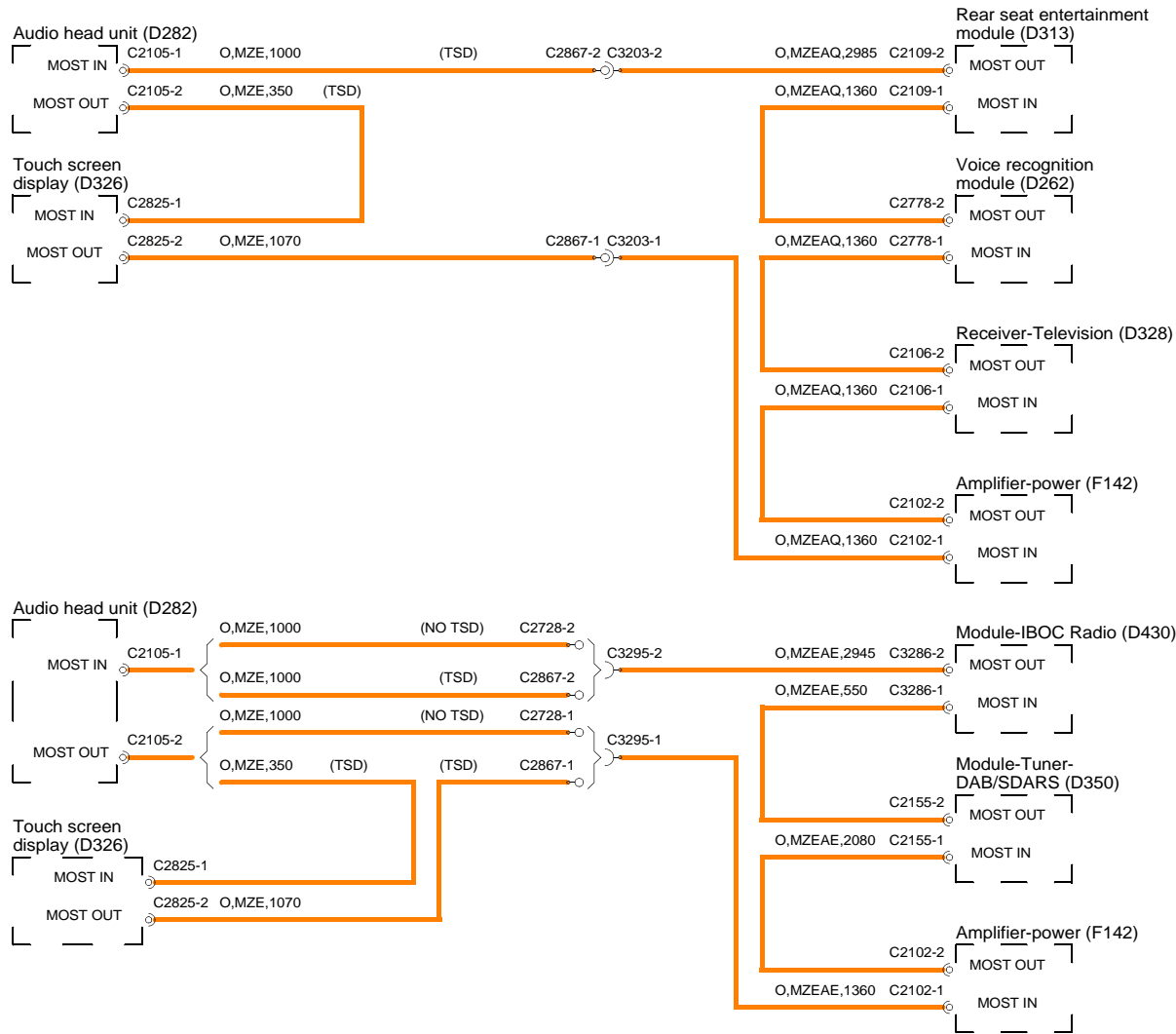


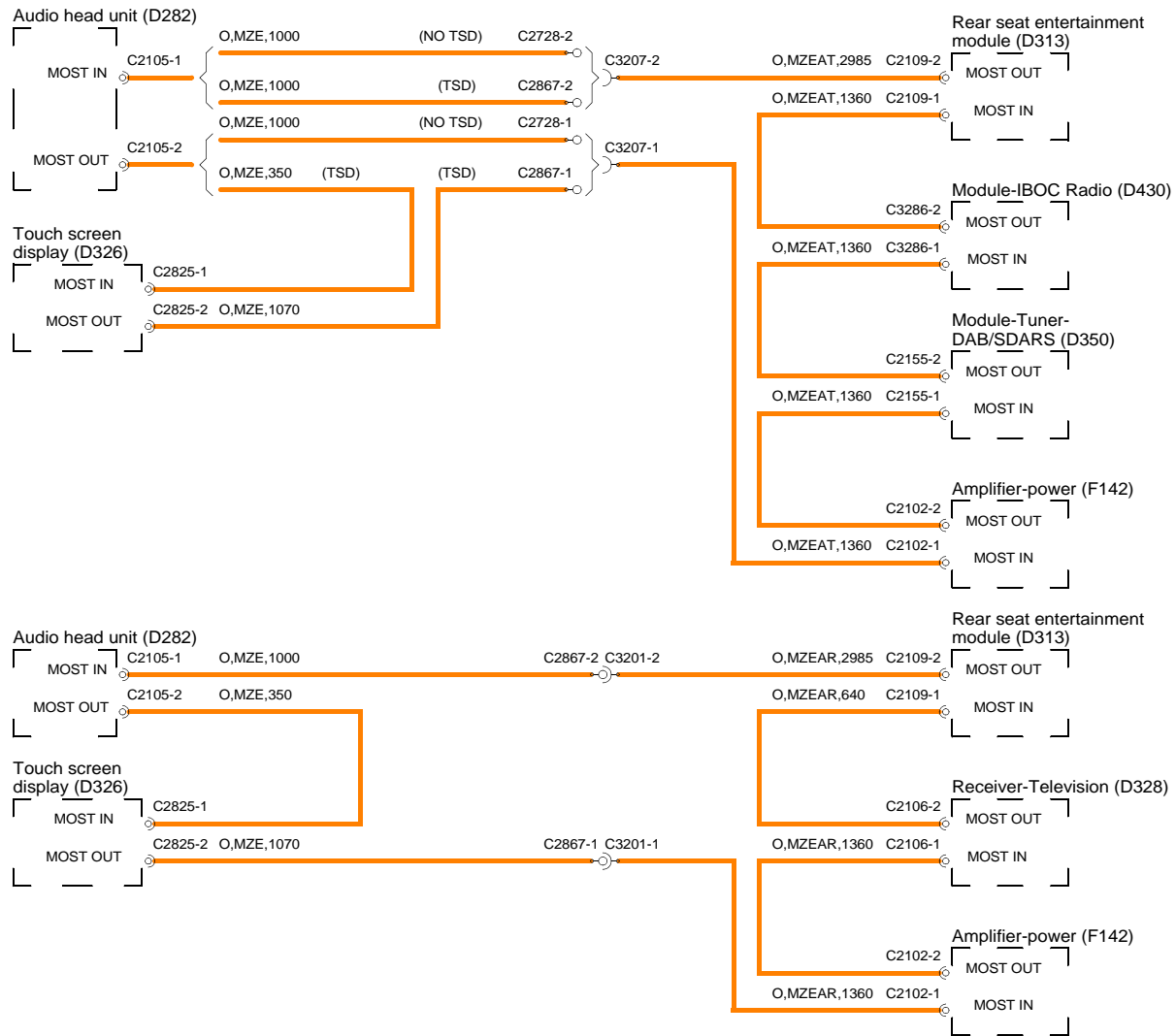


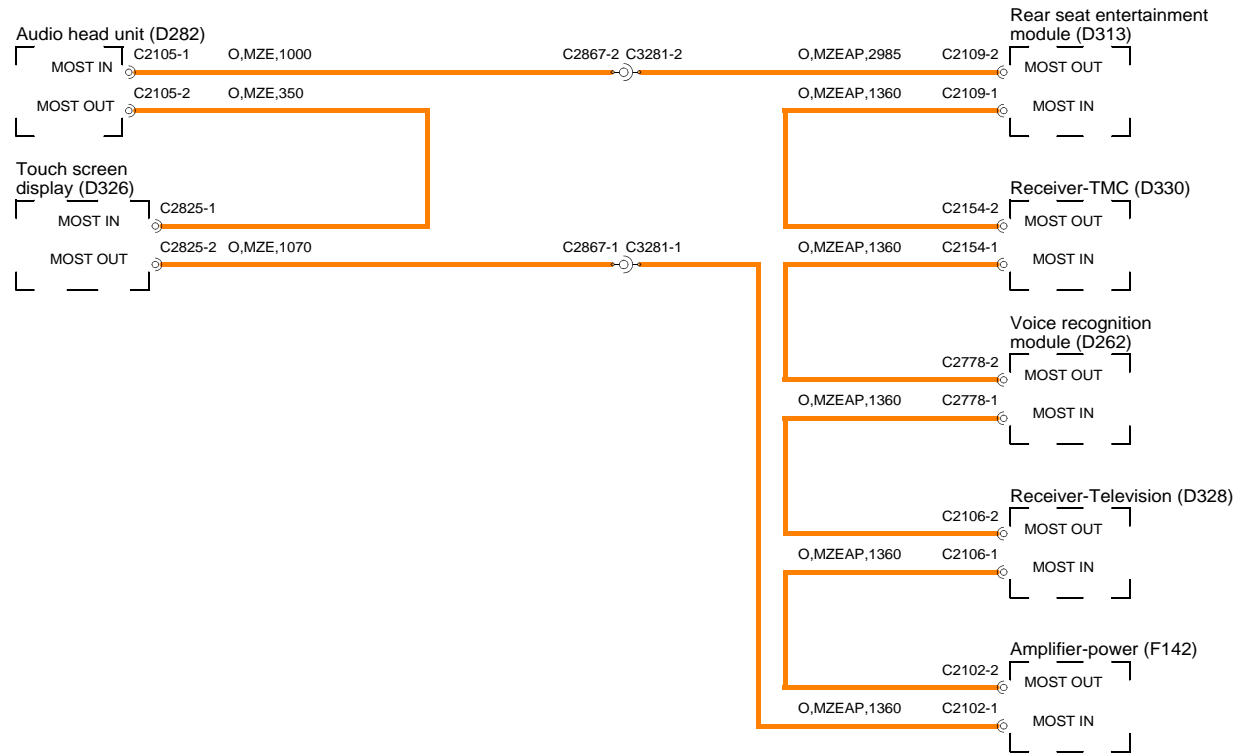






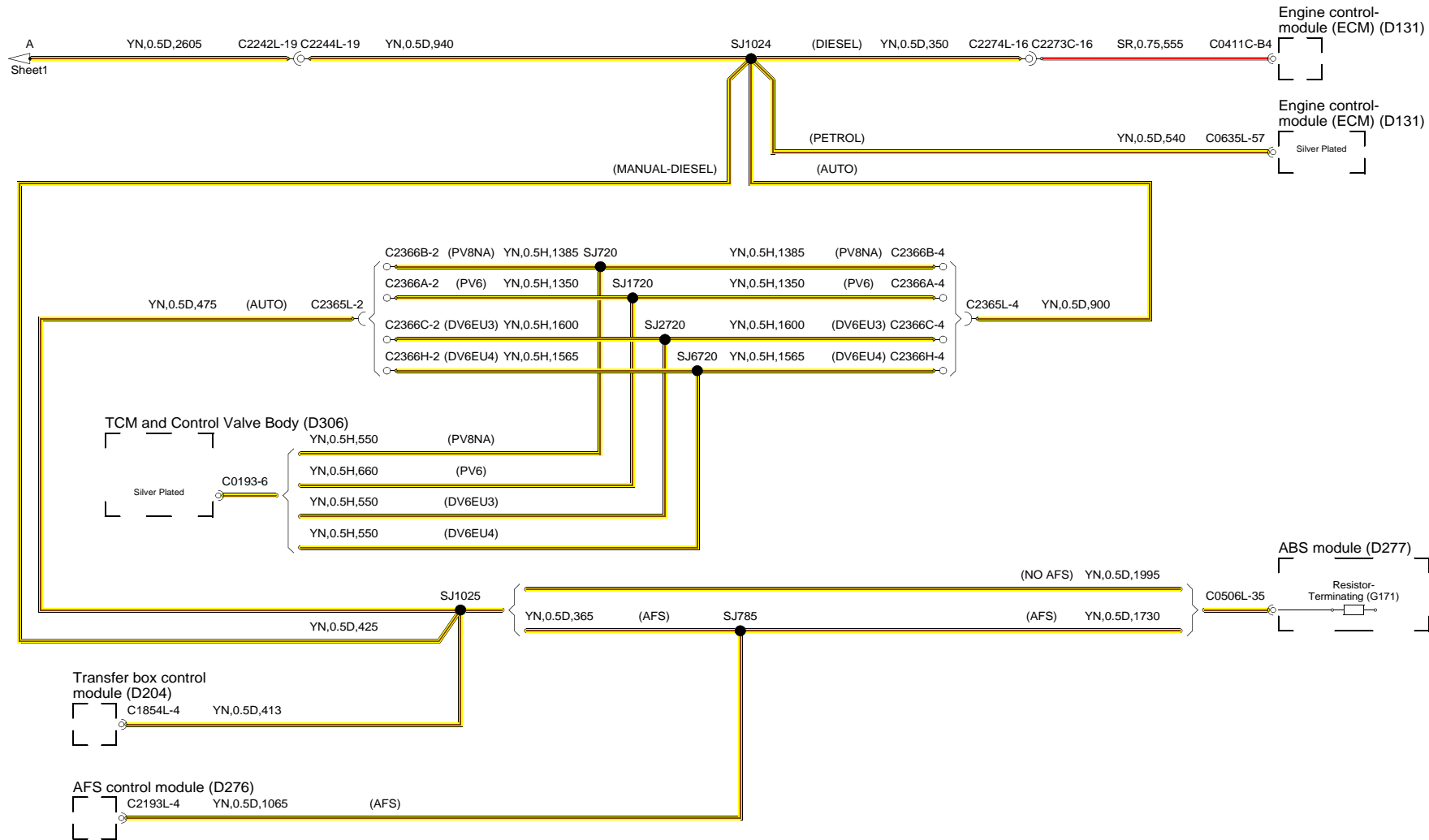




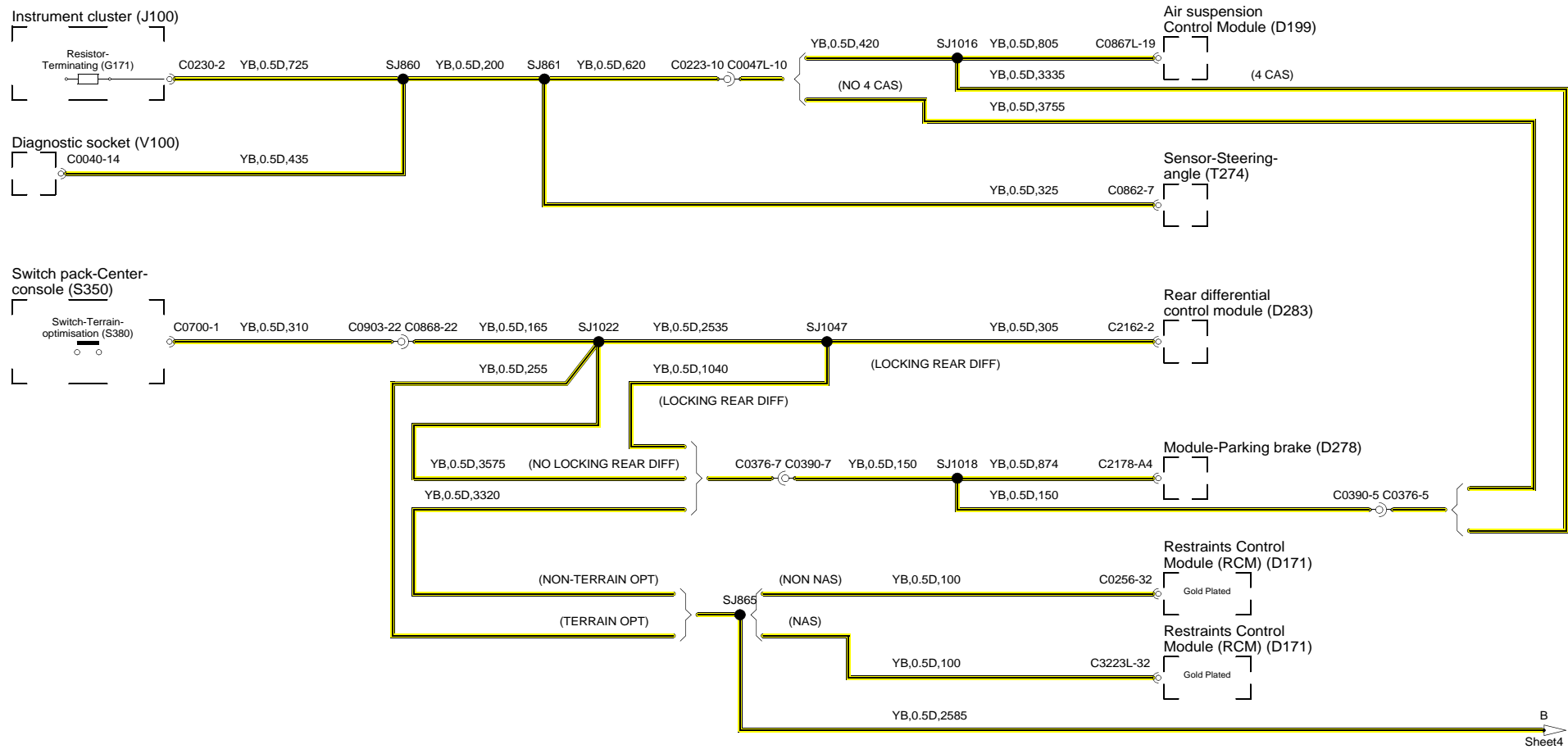






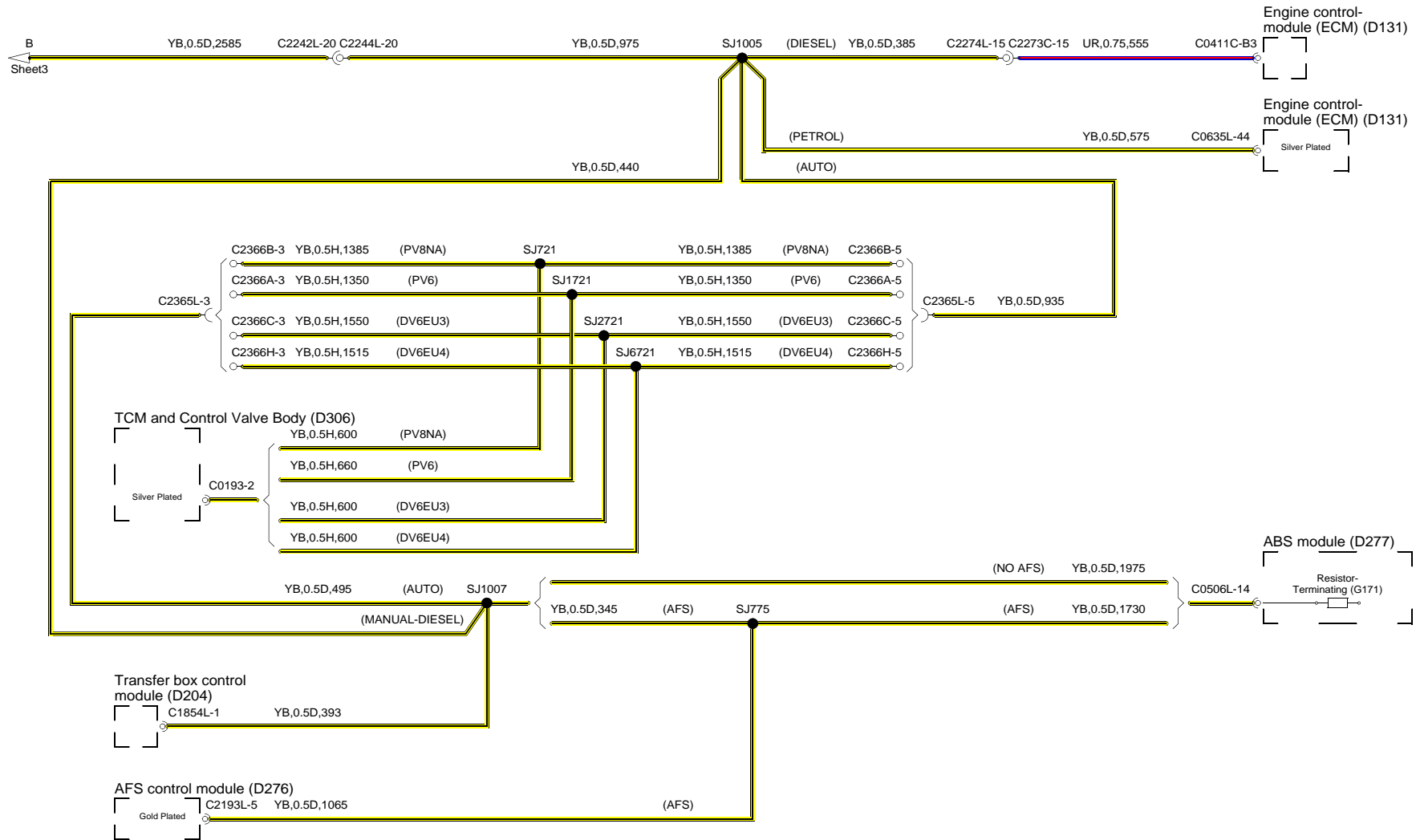


HS CAN\_H

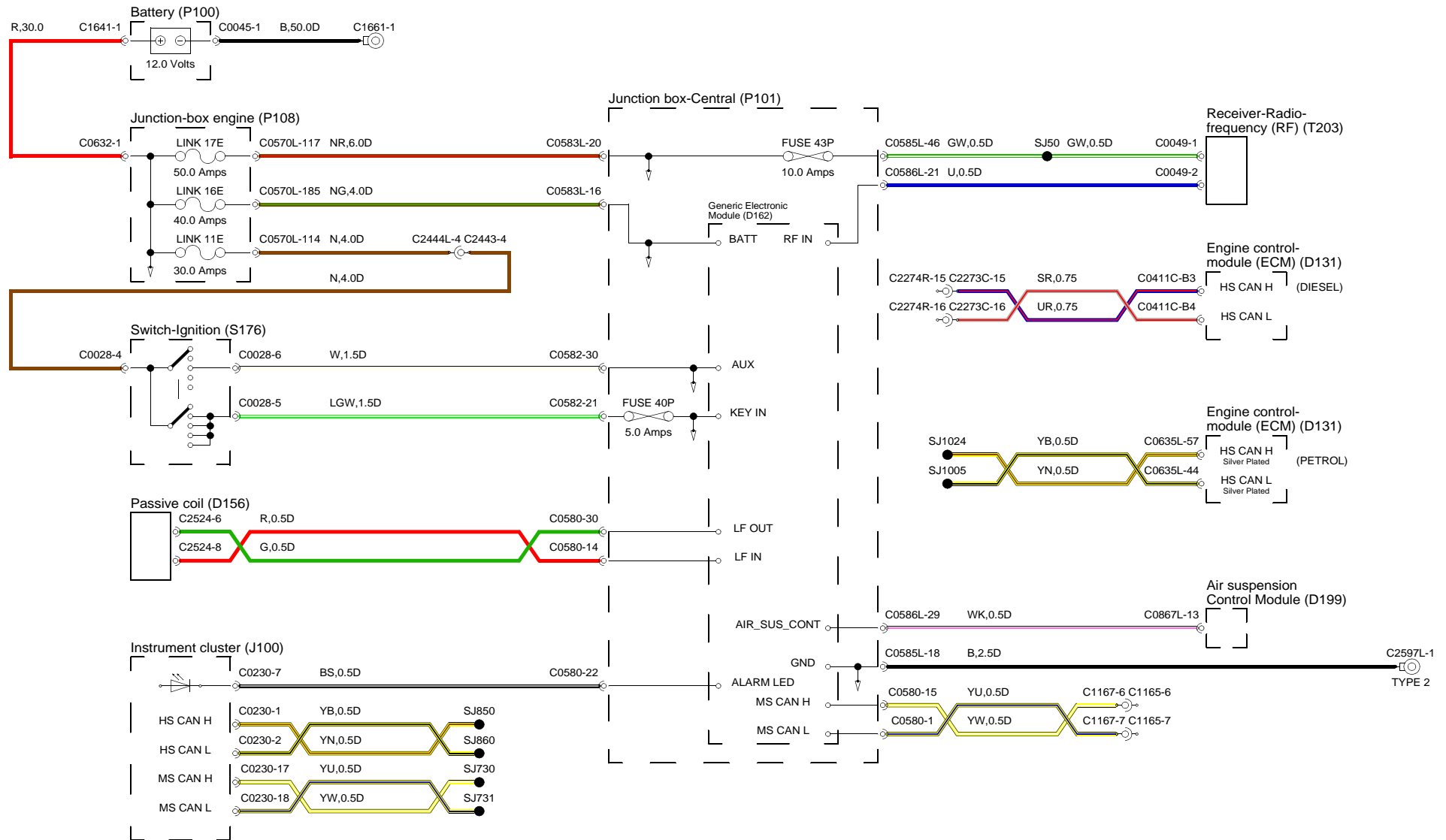


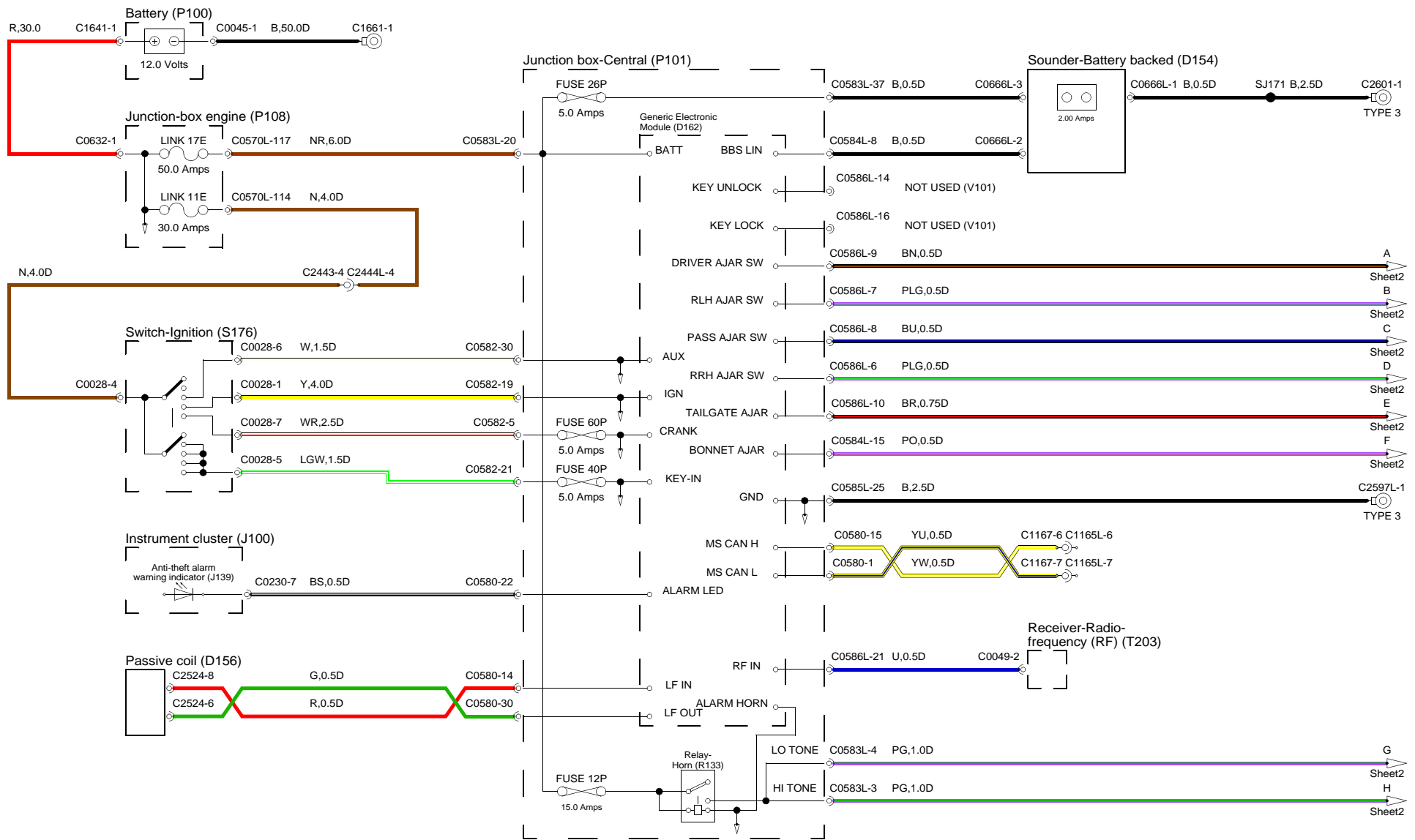
HS CAN\_L

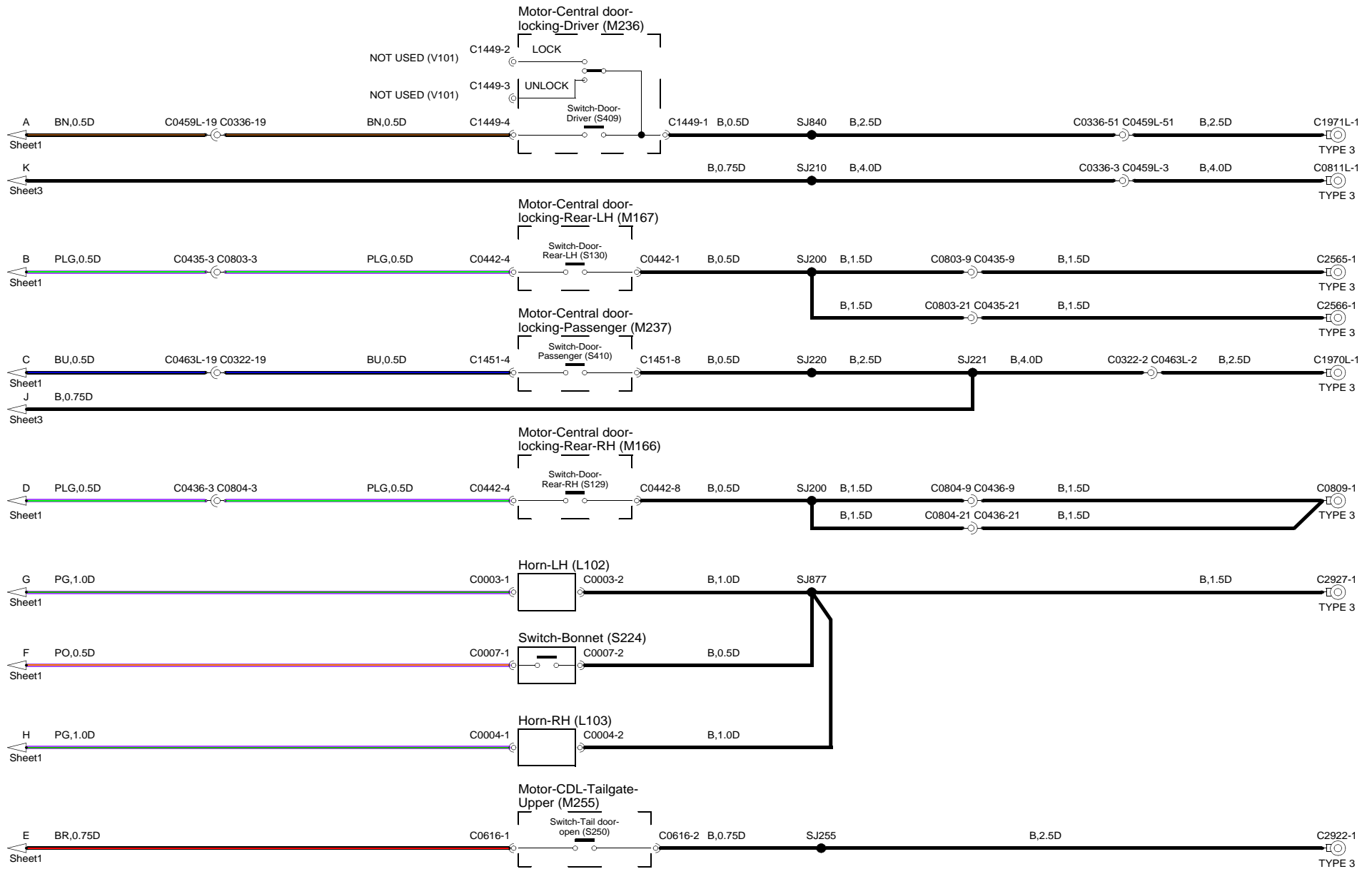
B  
Sheet4

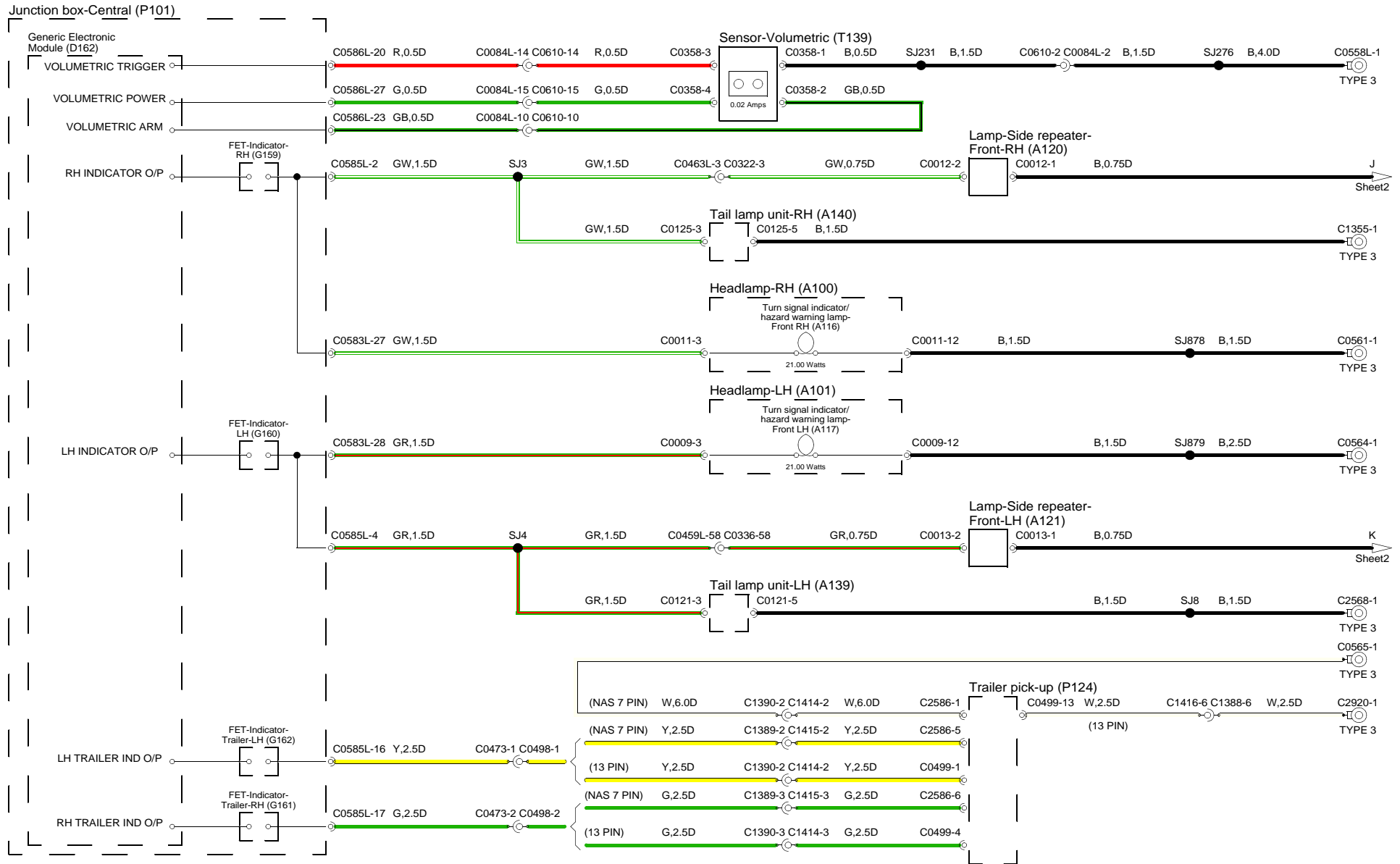


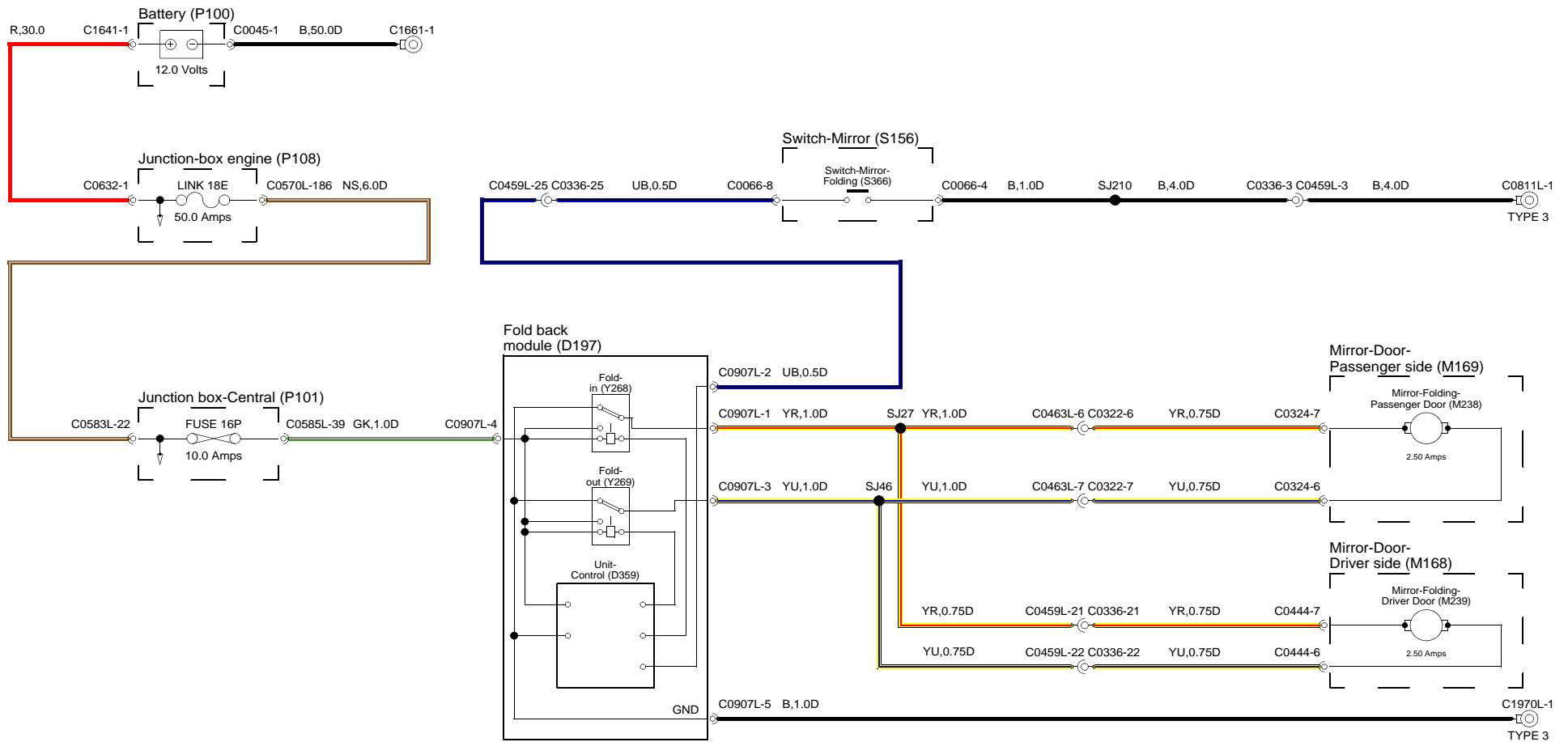
HS CAN\_L



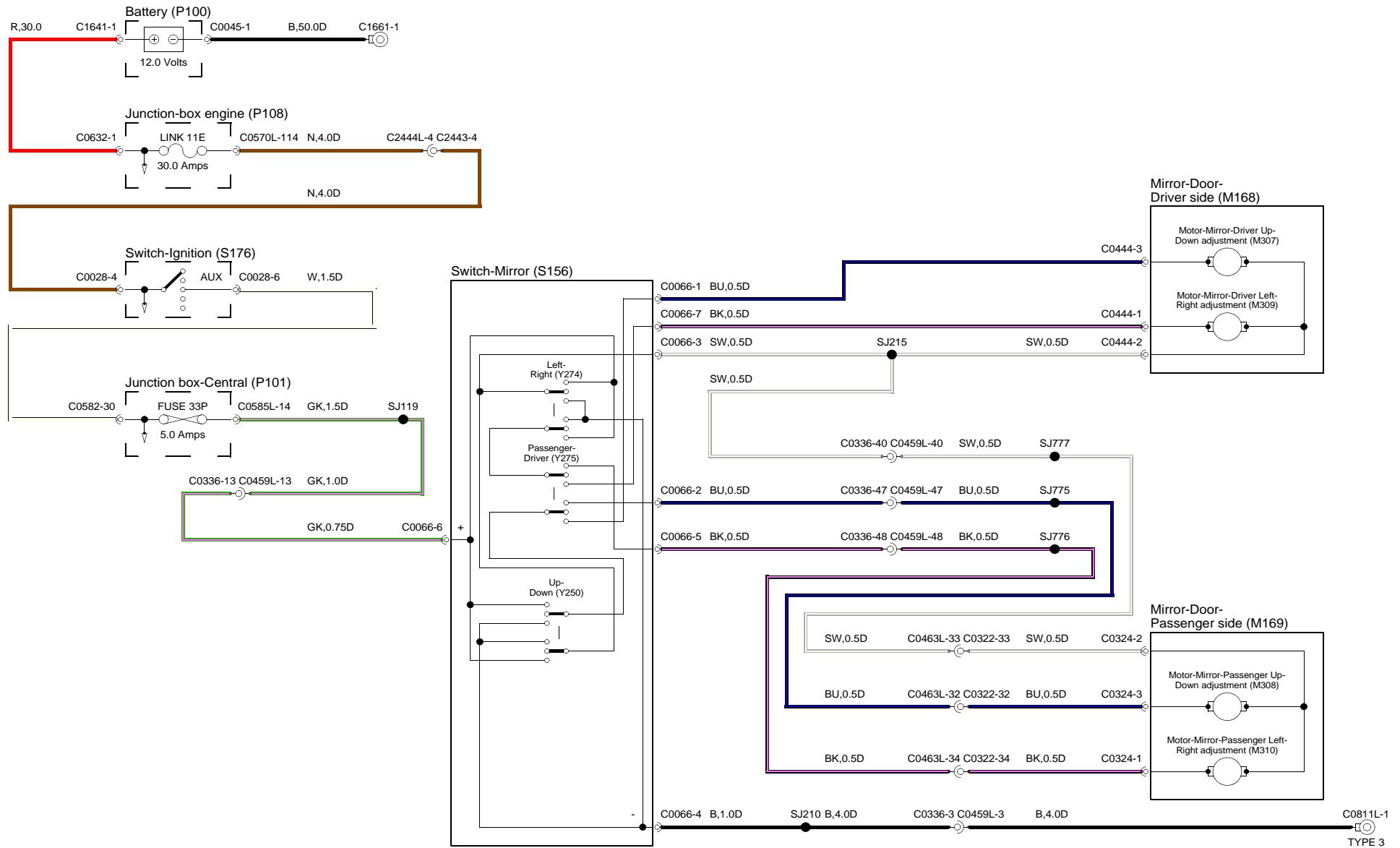


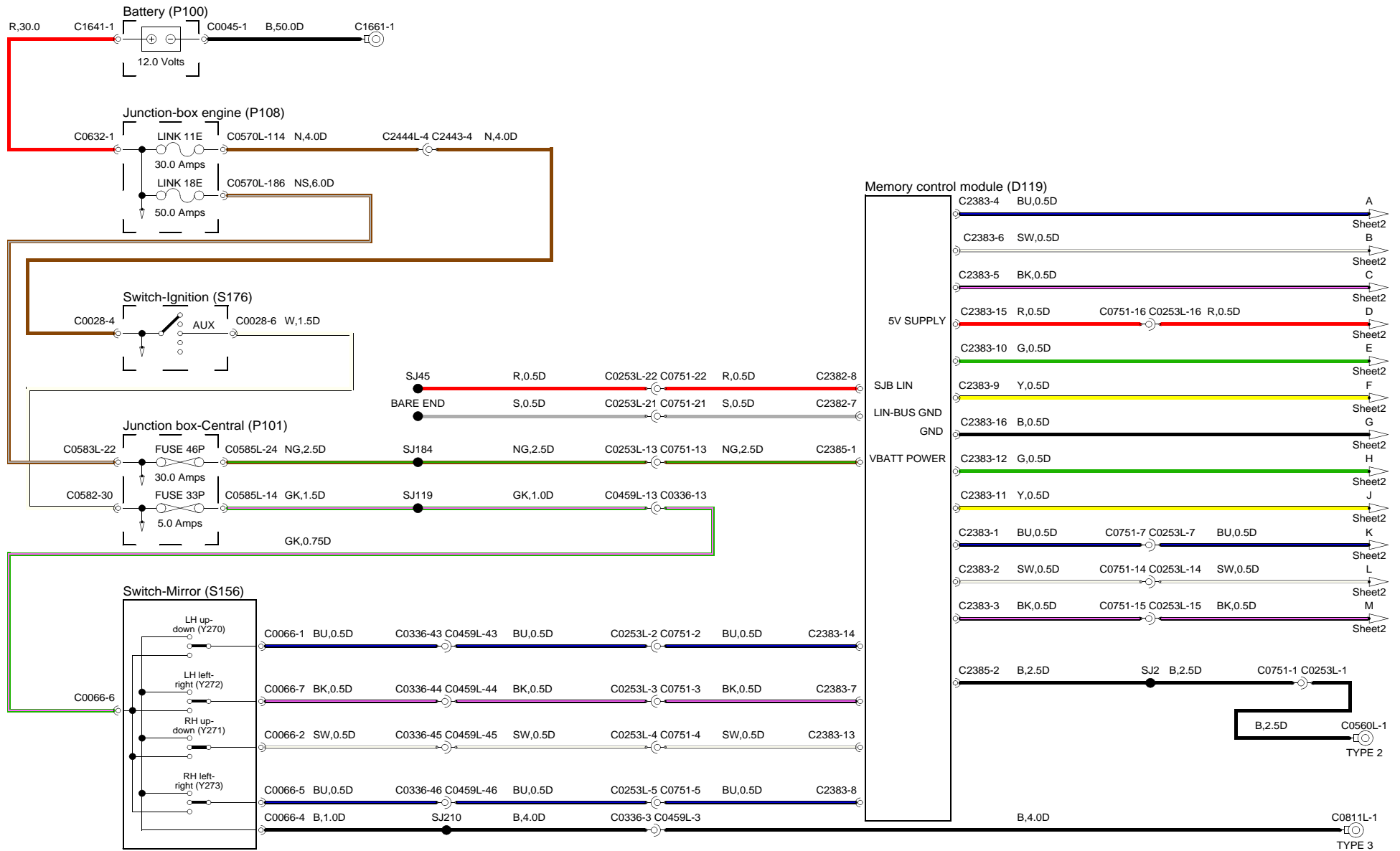


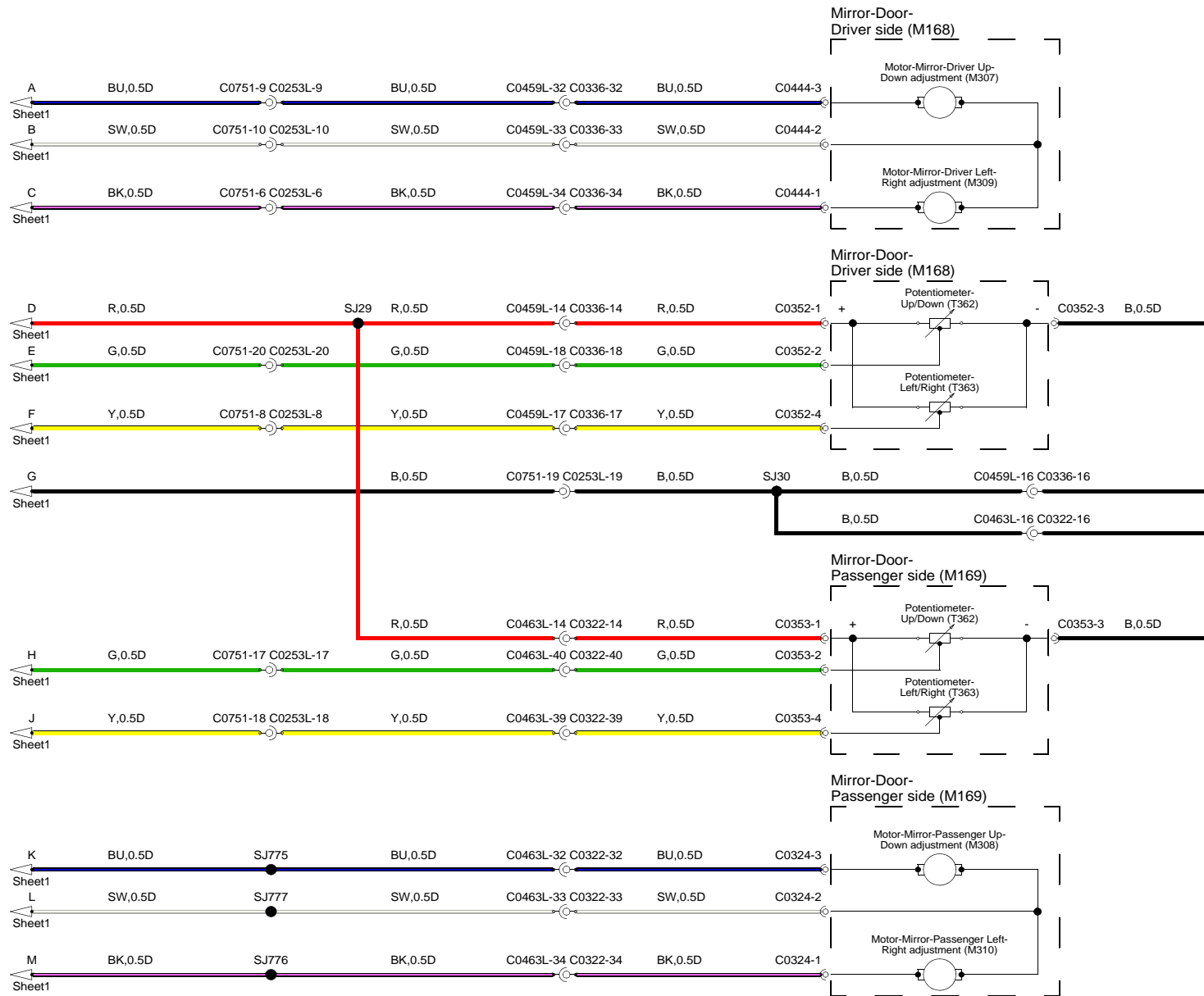


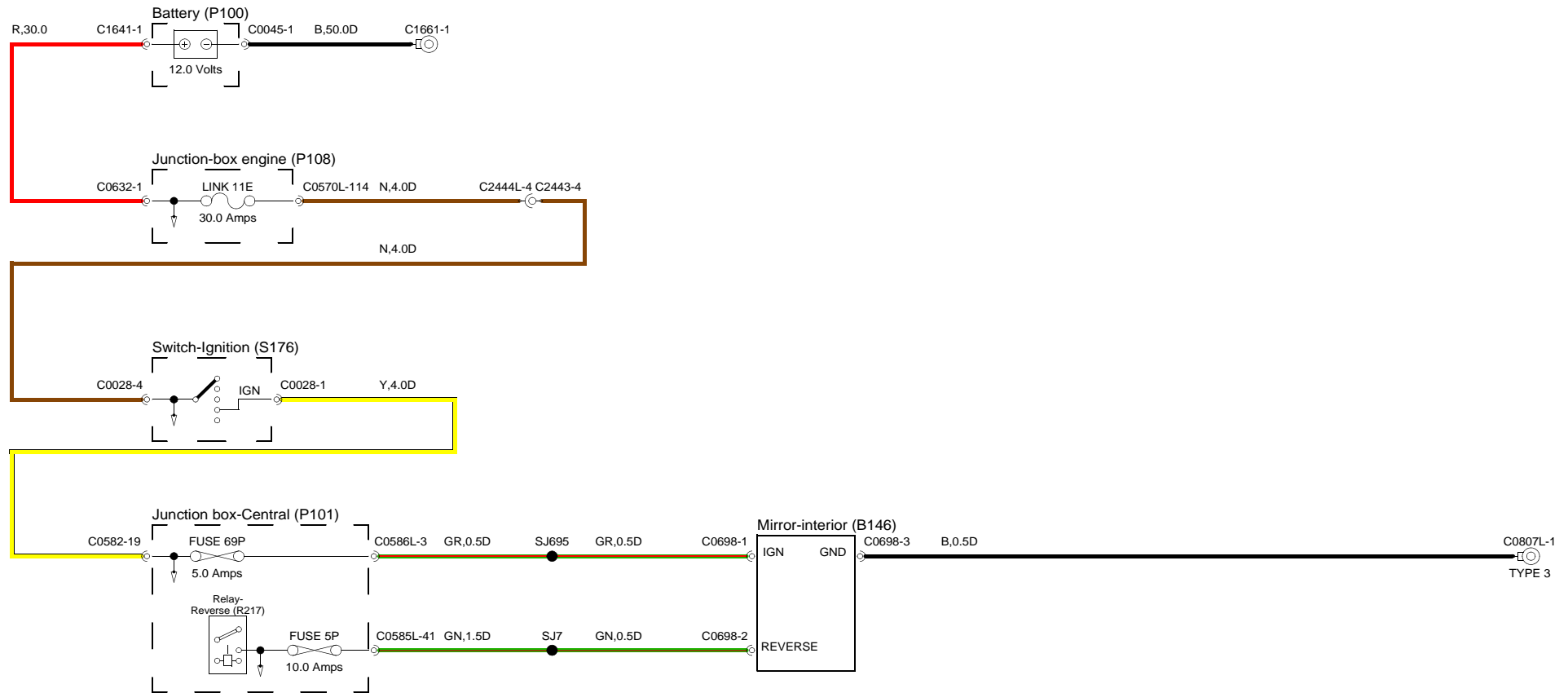


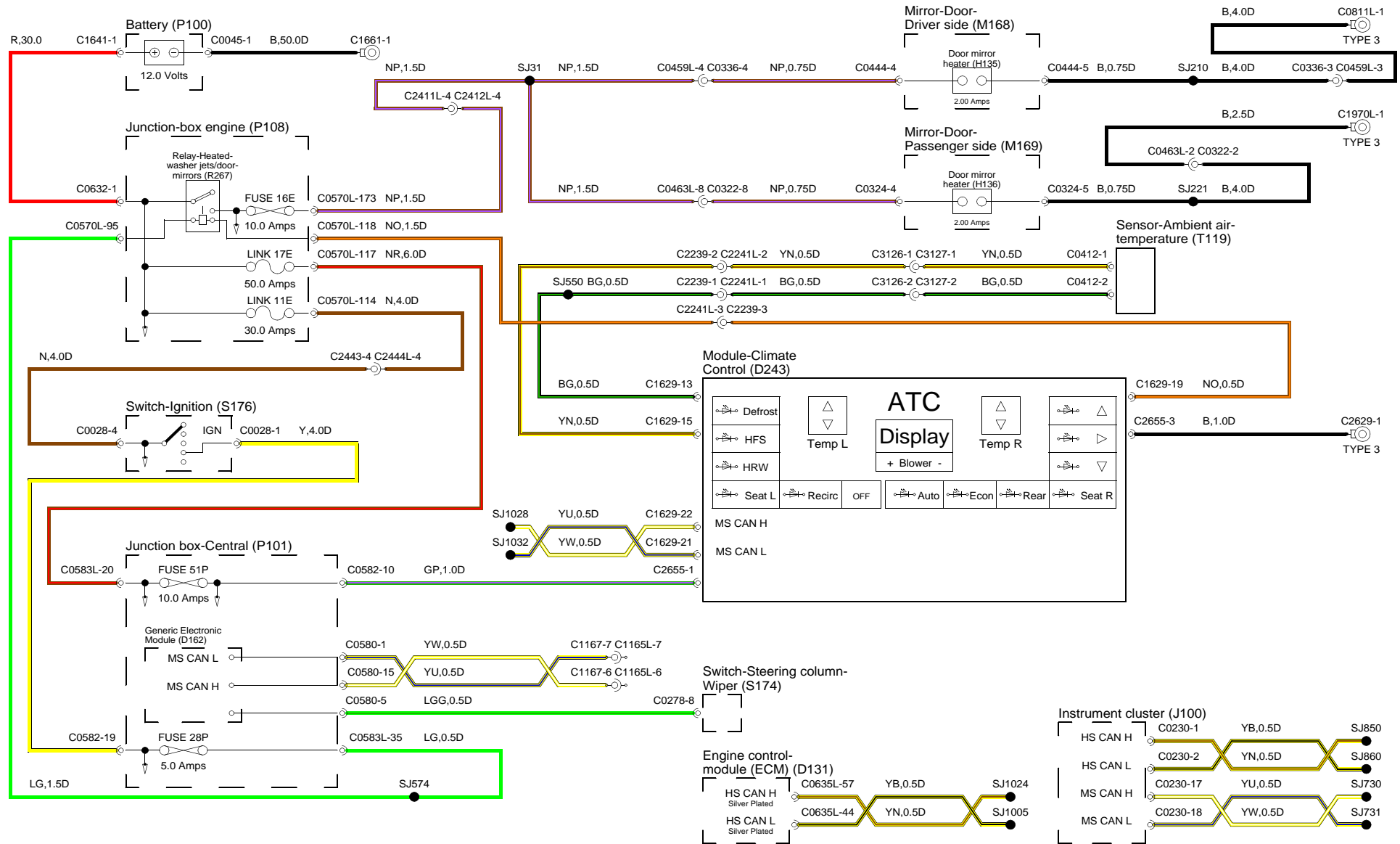


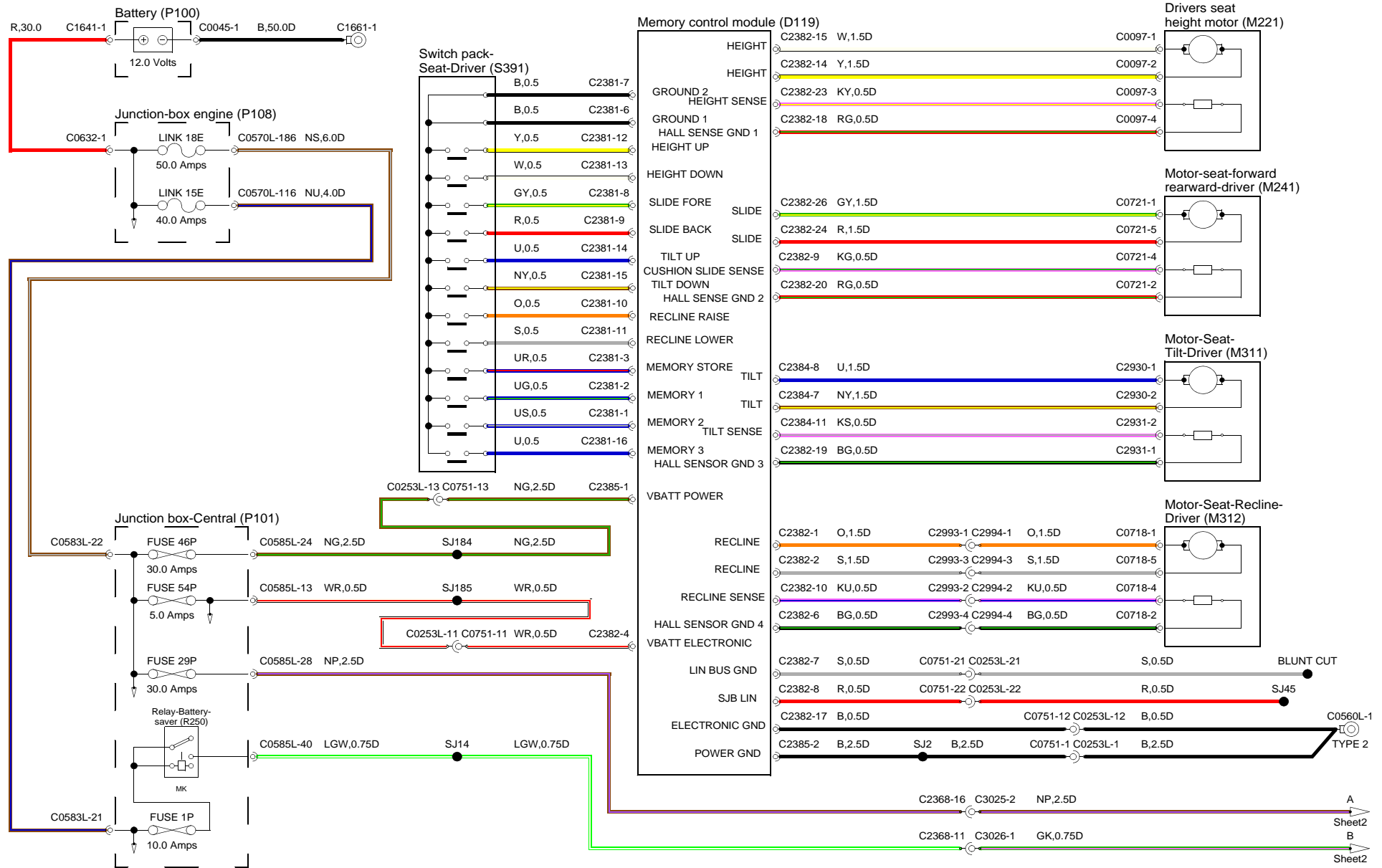


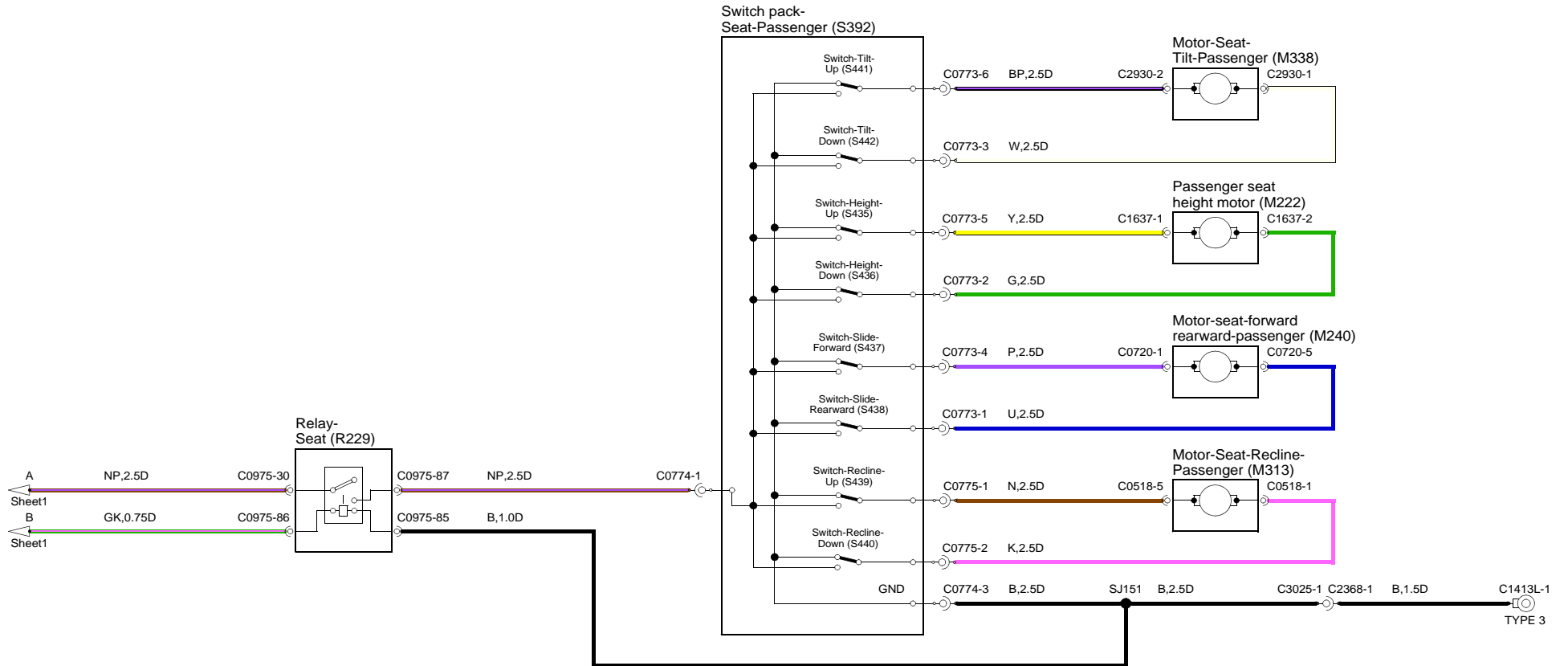


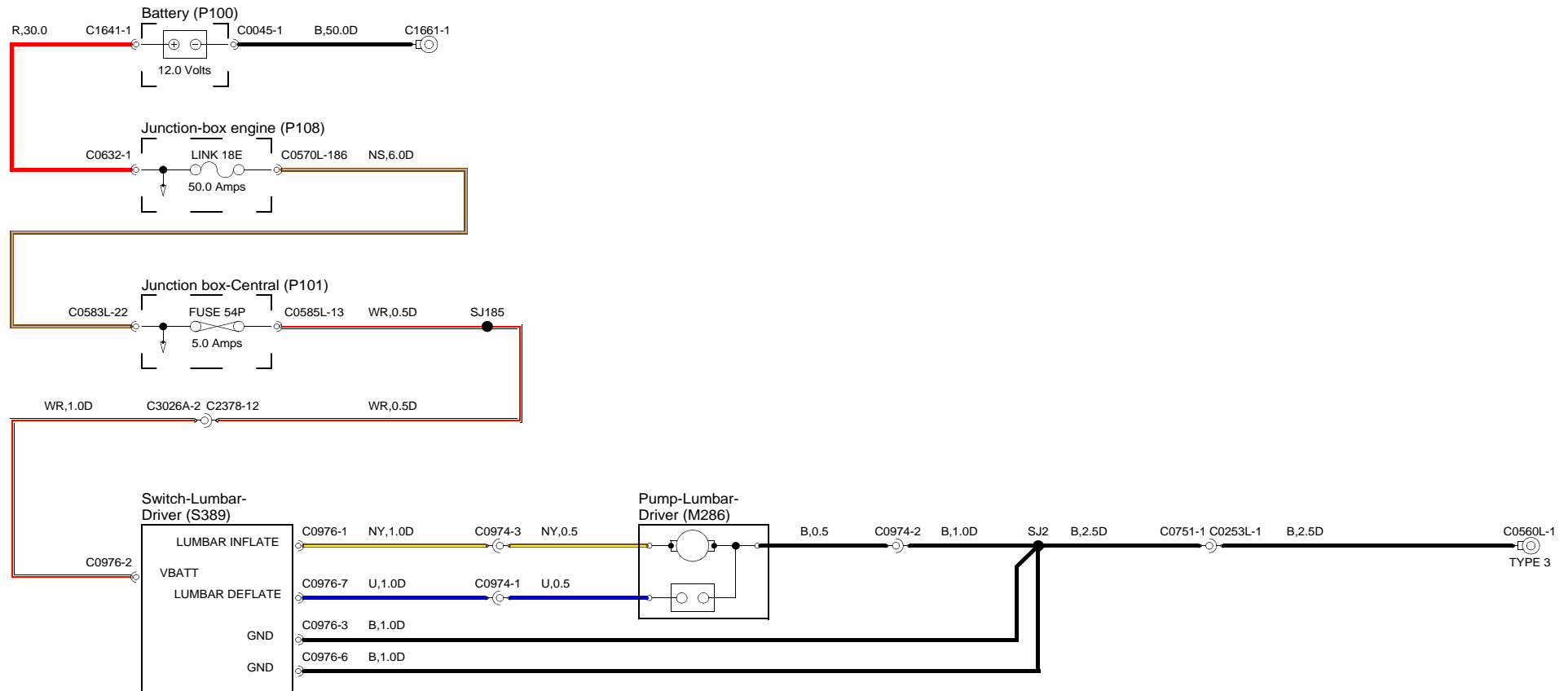




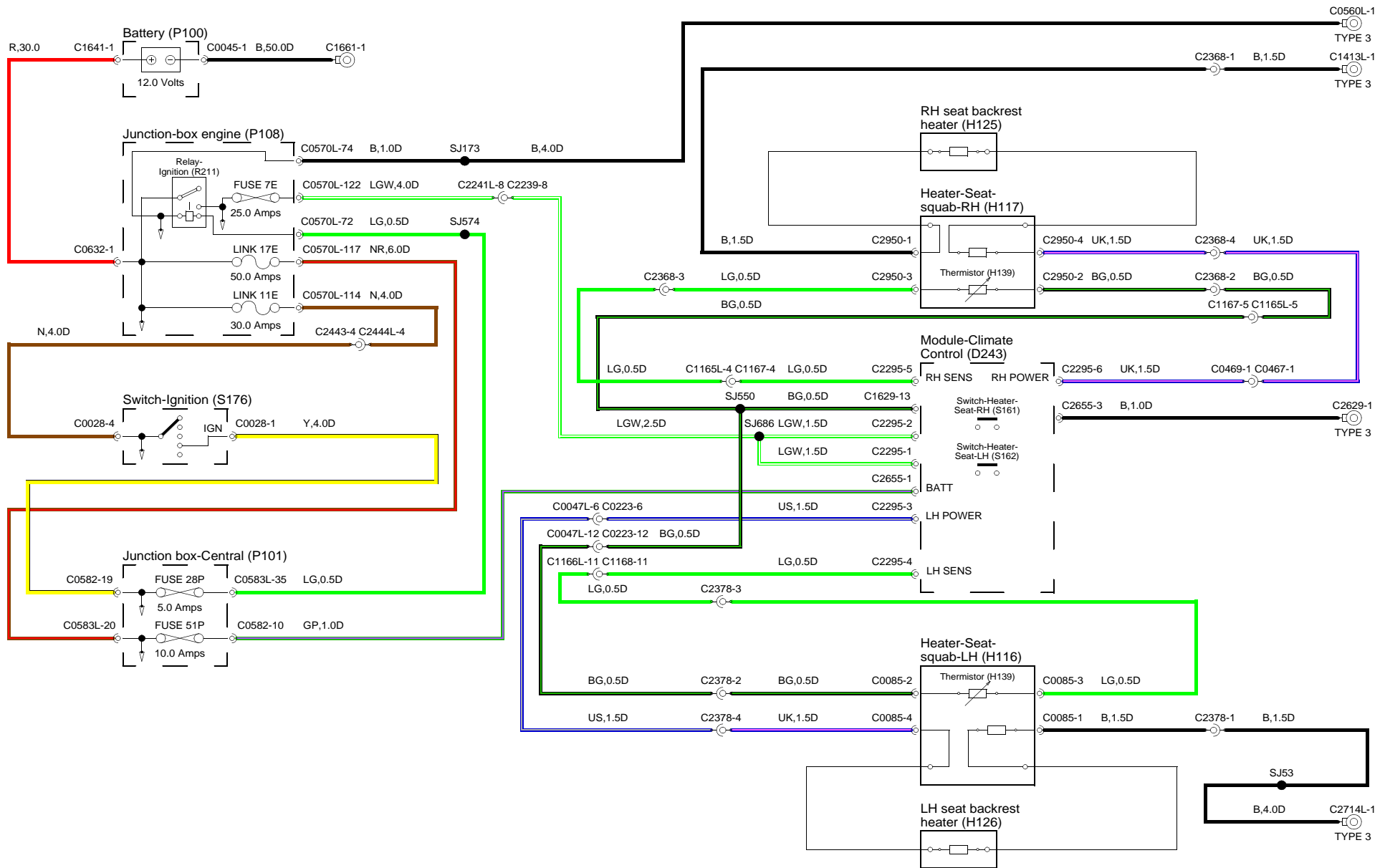




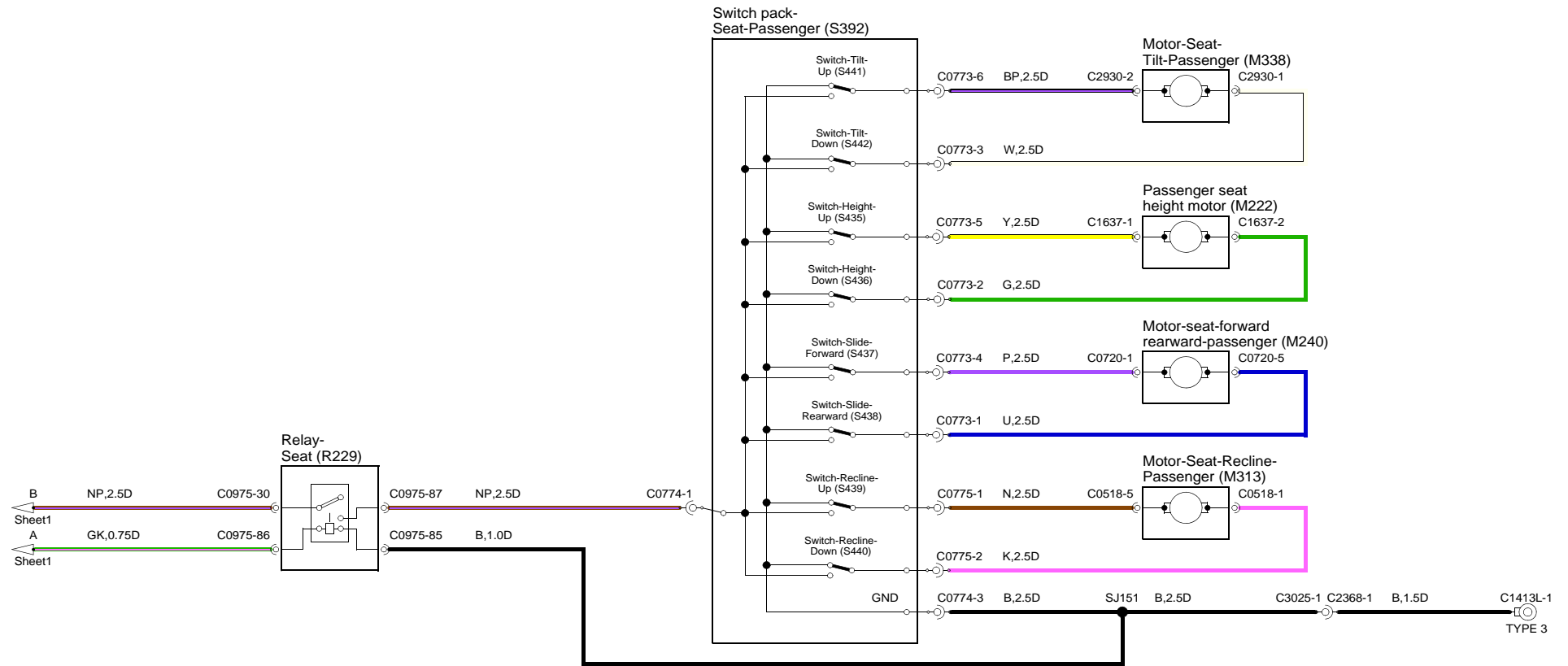


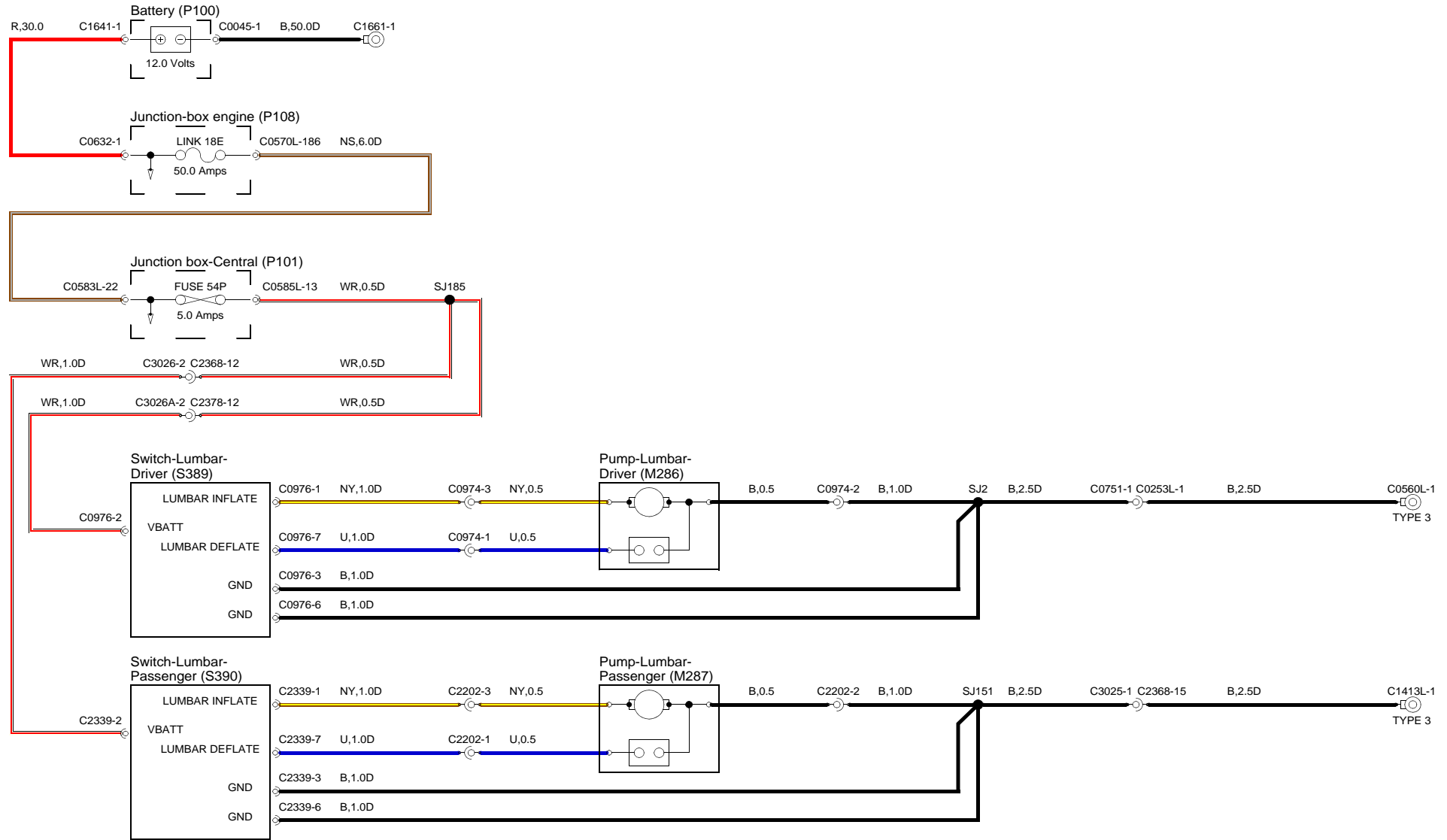


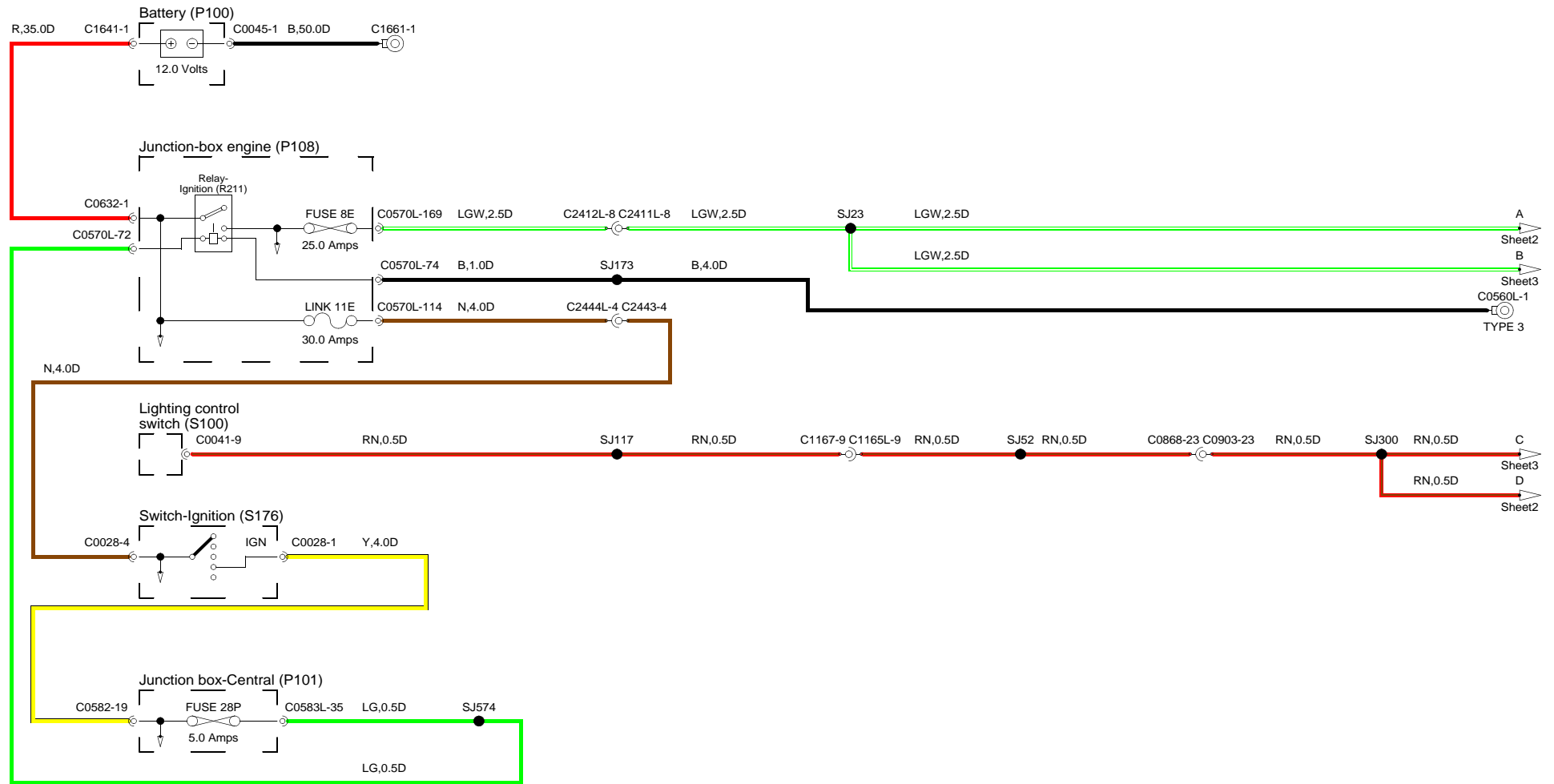


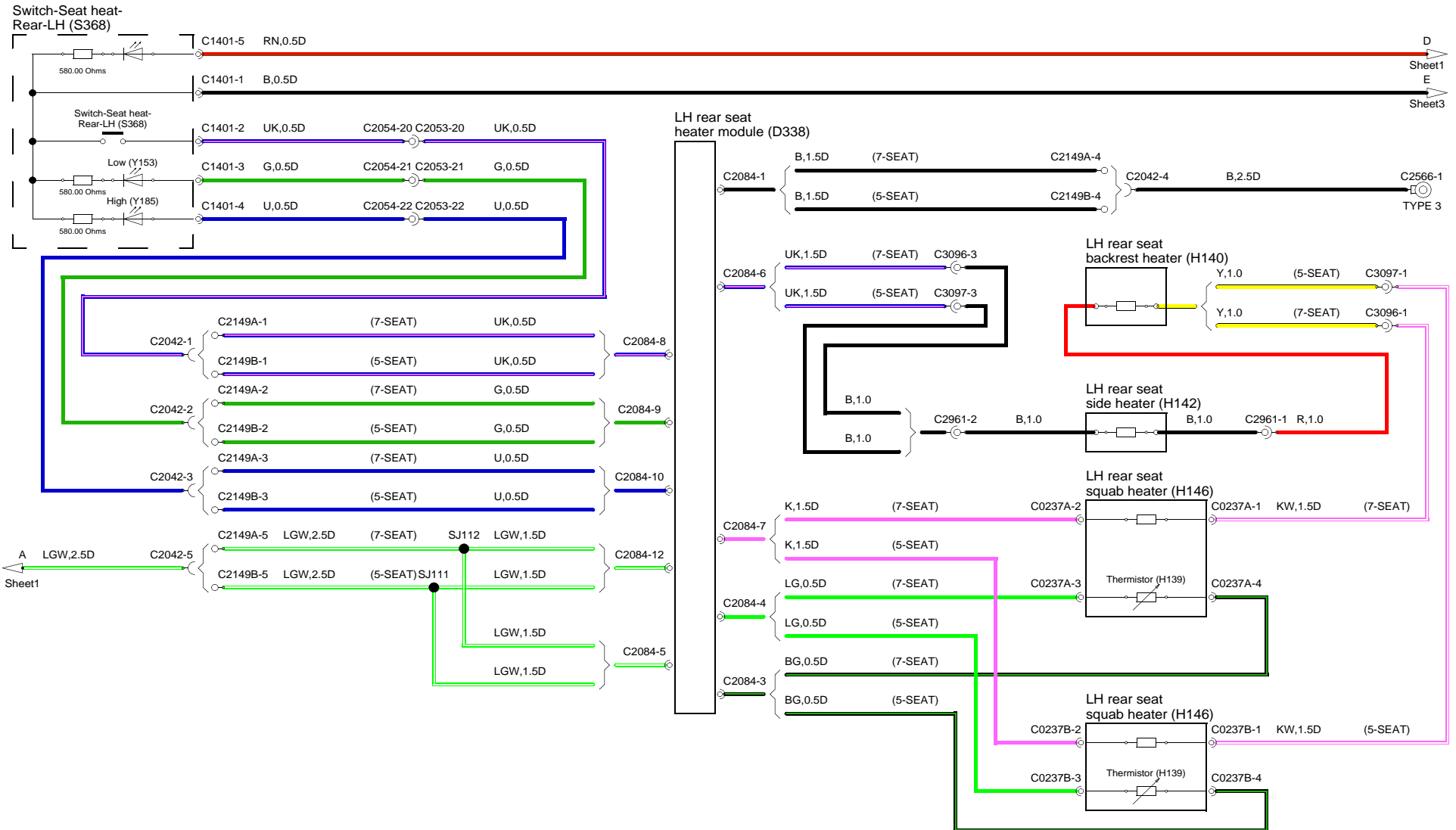


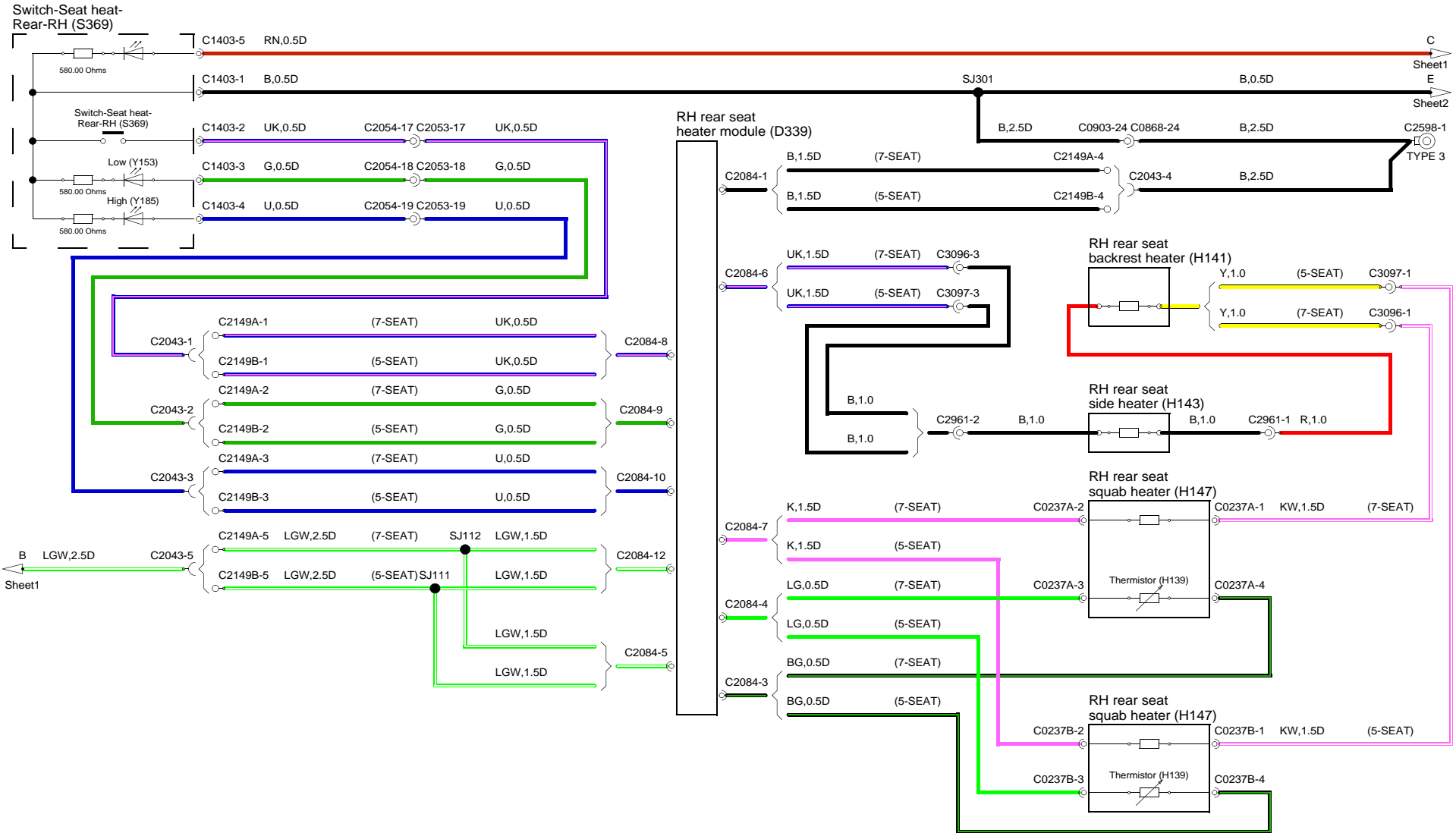


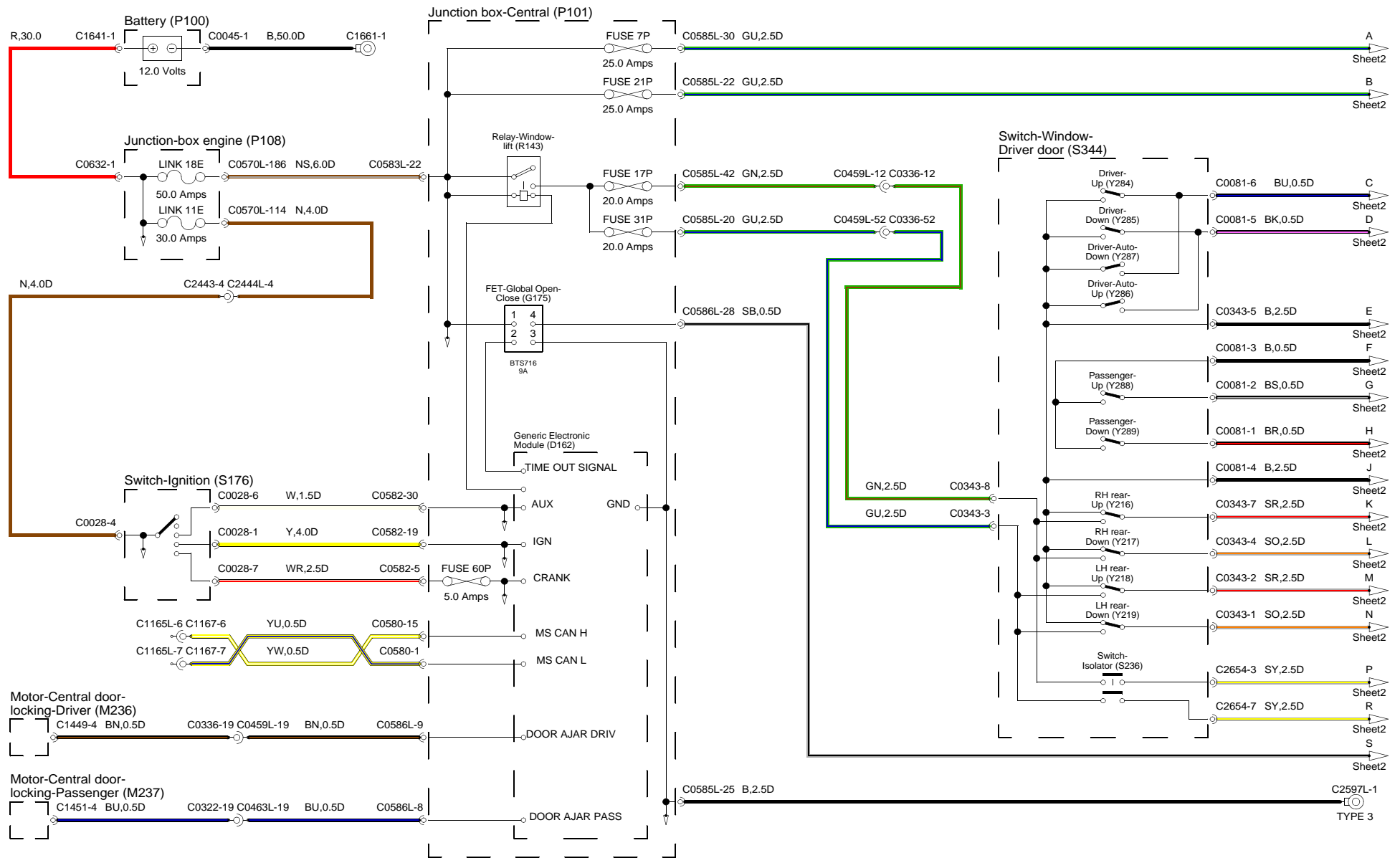




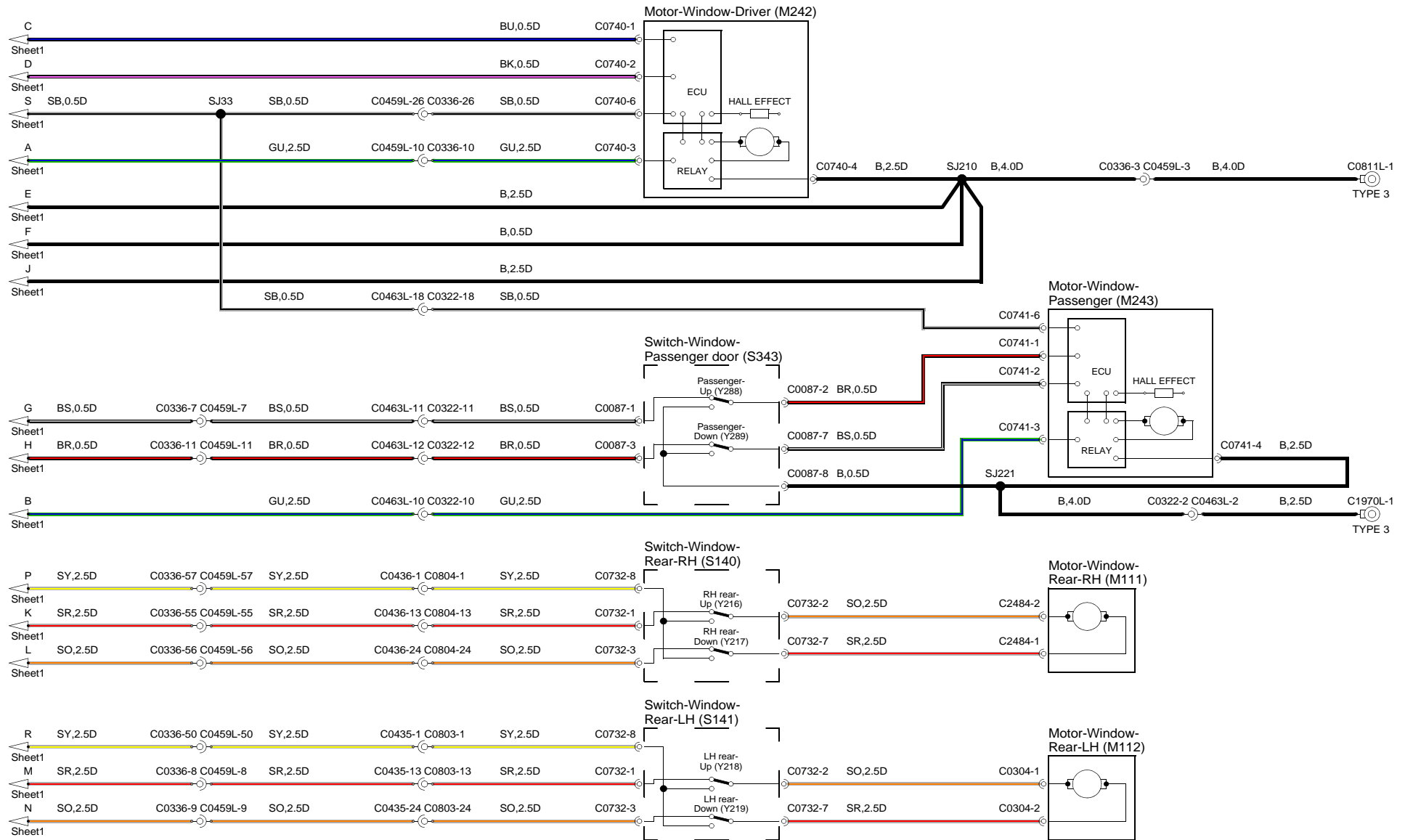




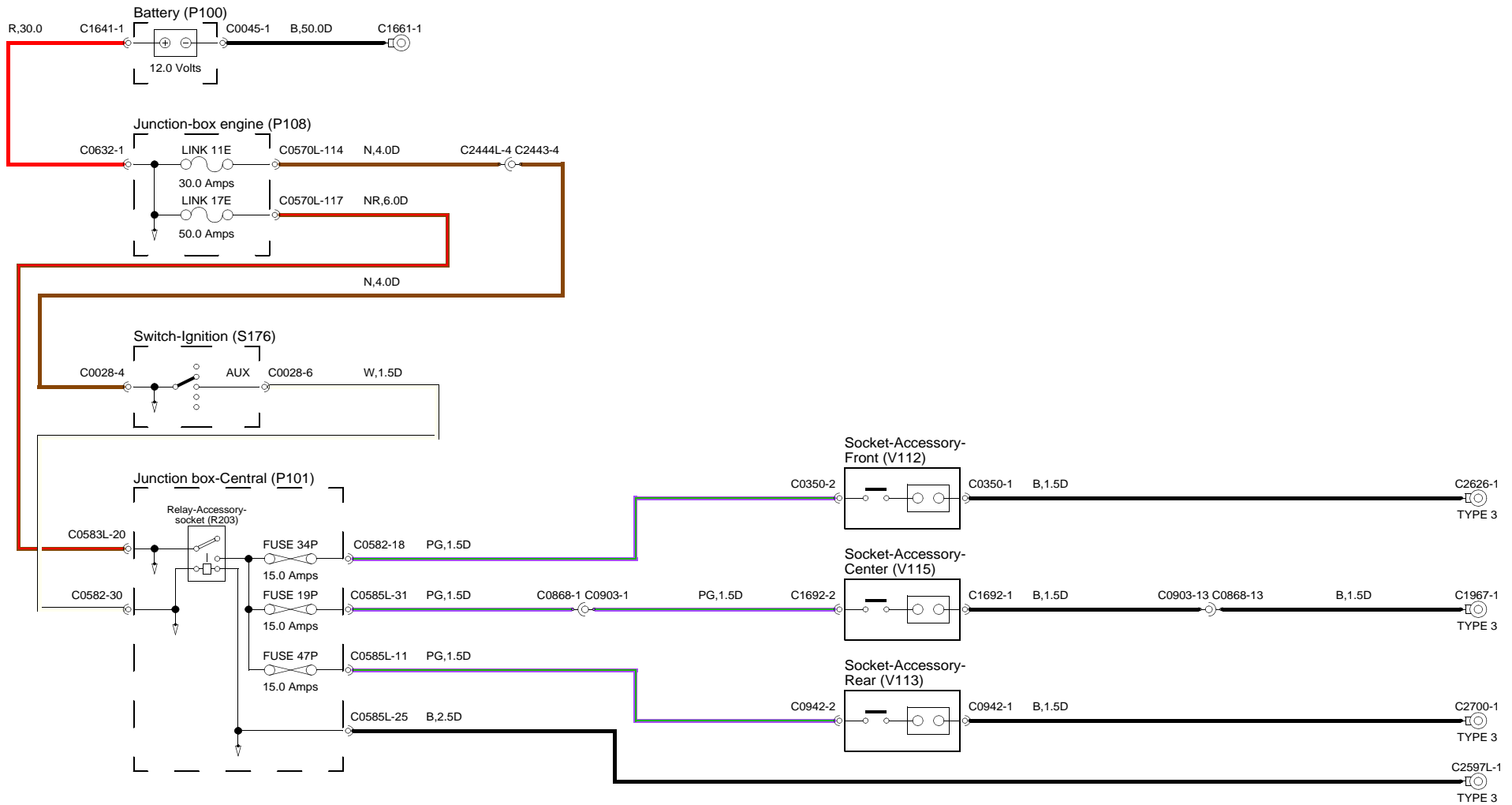


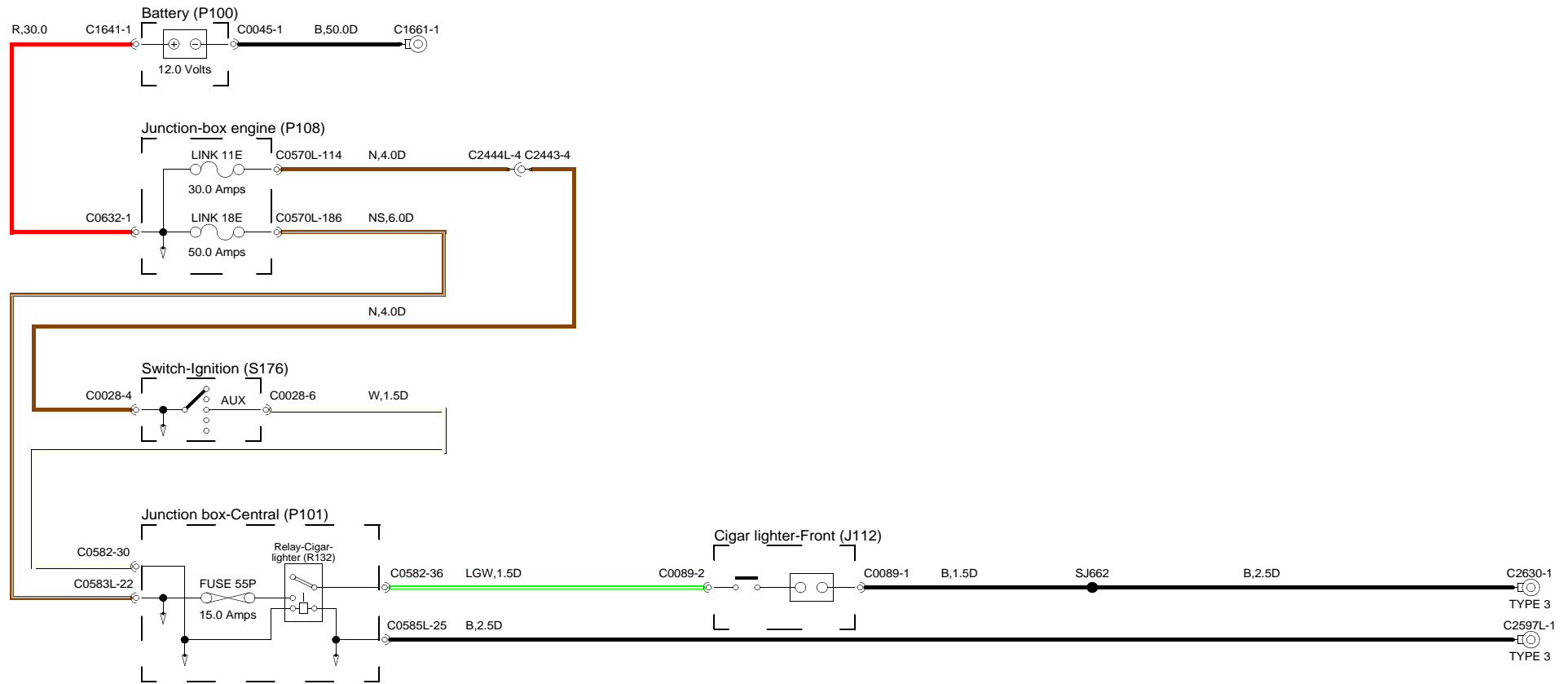


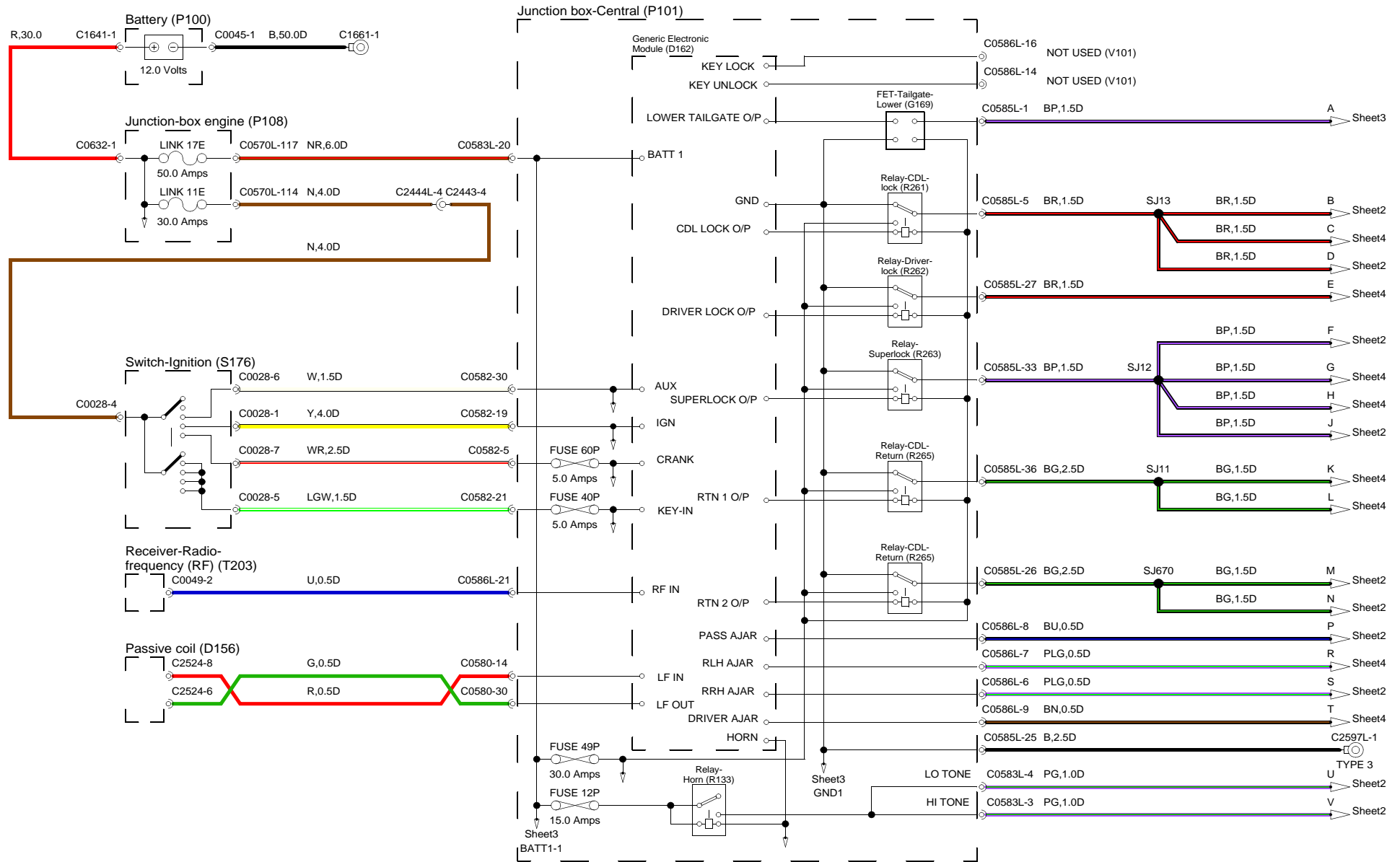


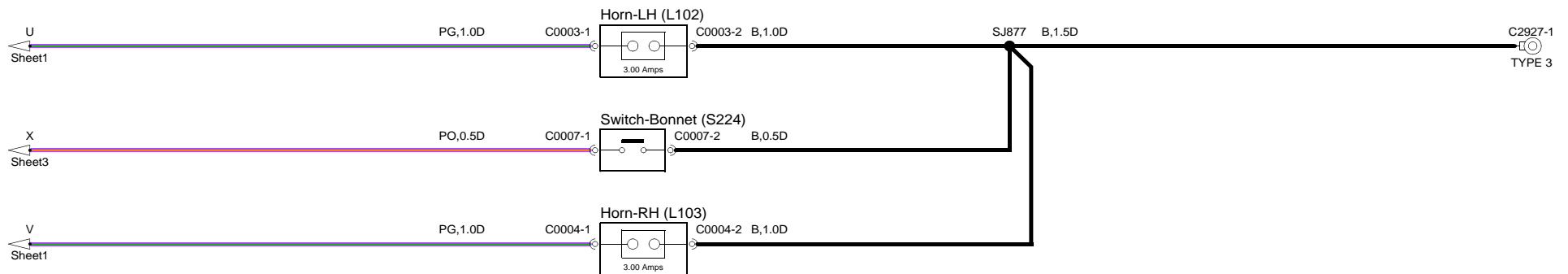
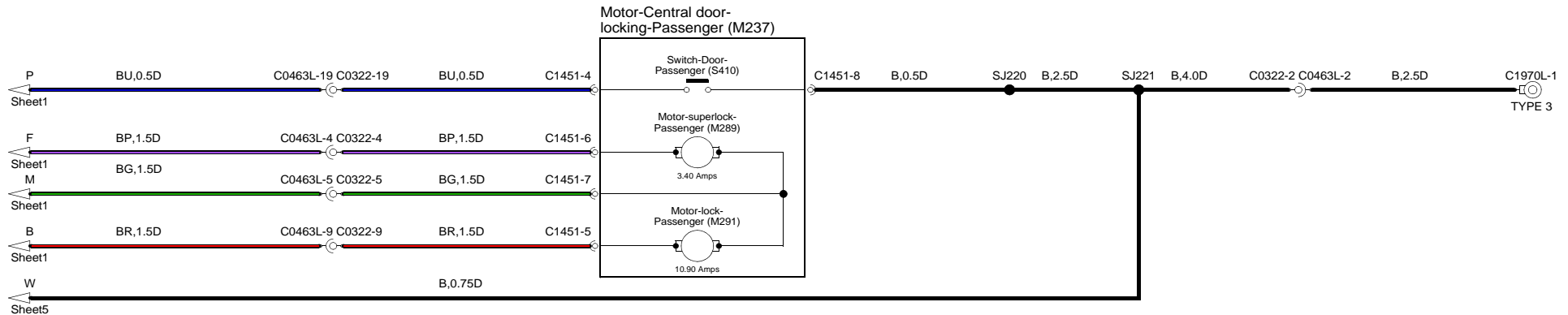
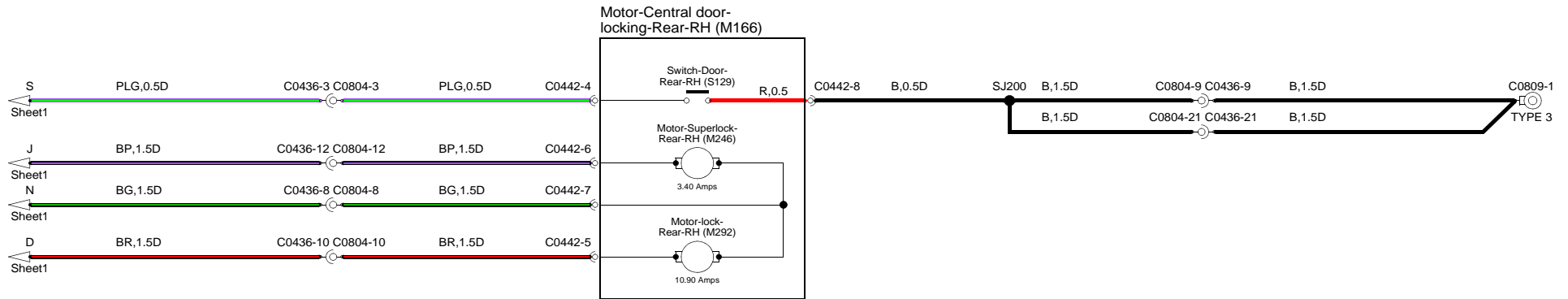


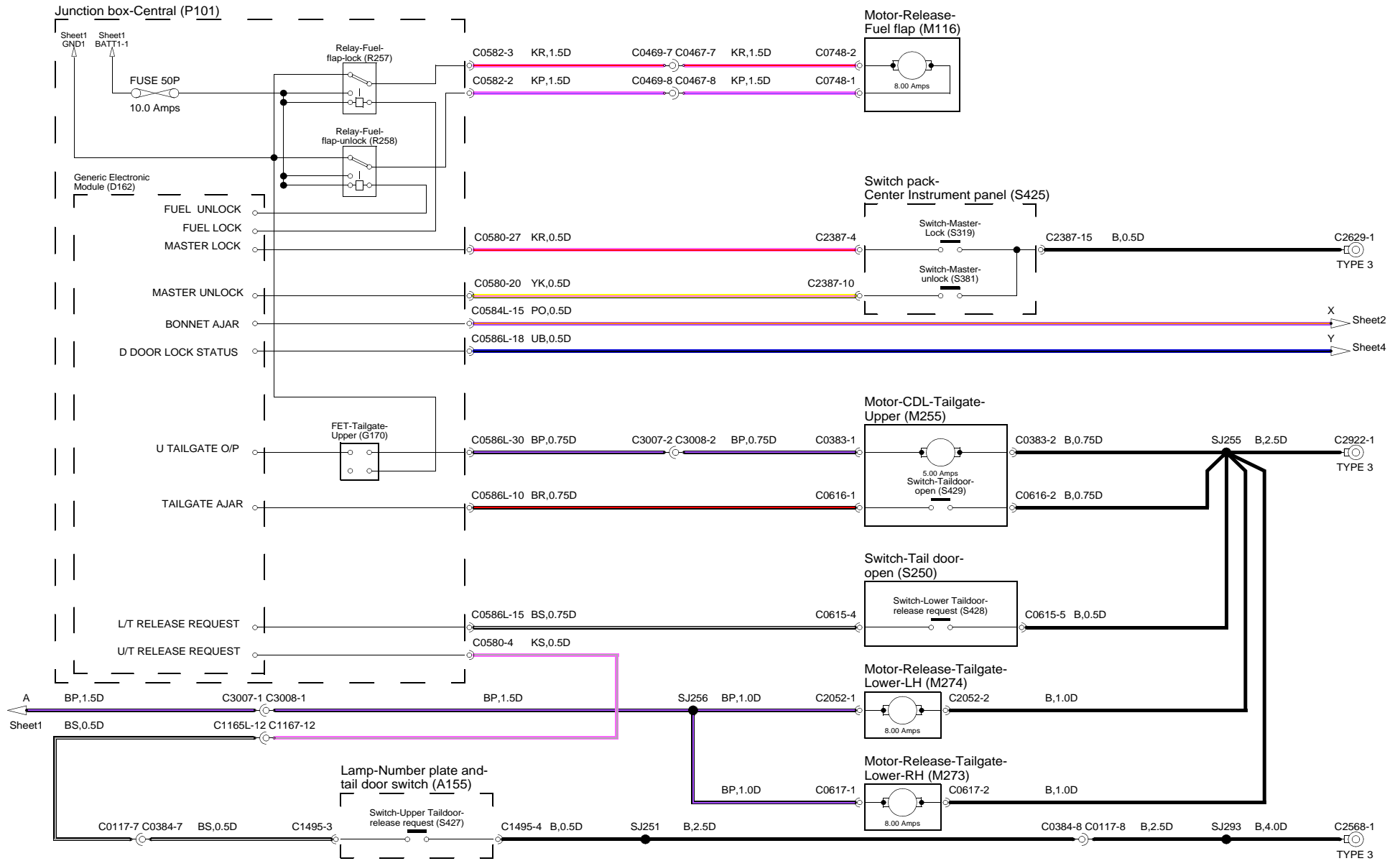
# 501-12 - INSTRUMENT PANEL AND CONSOLE

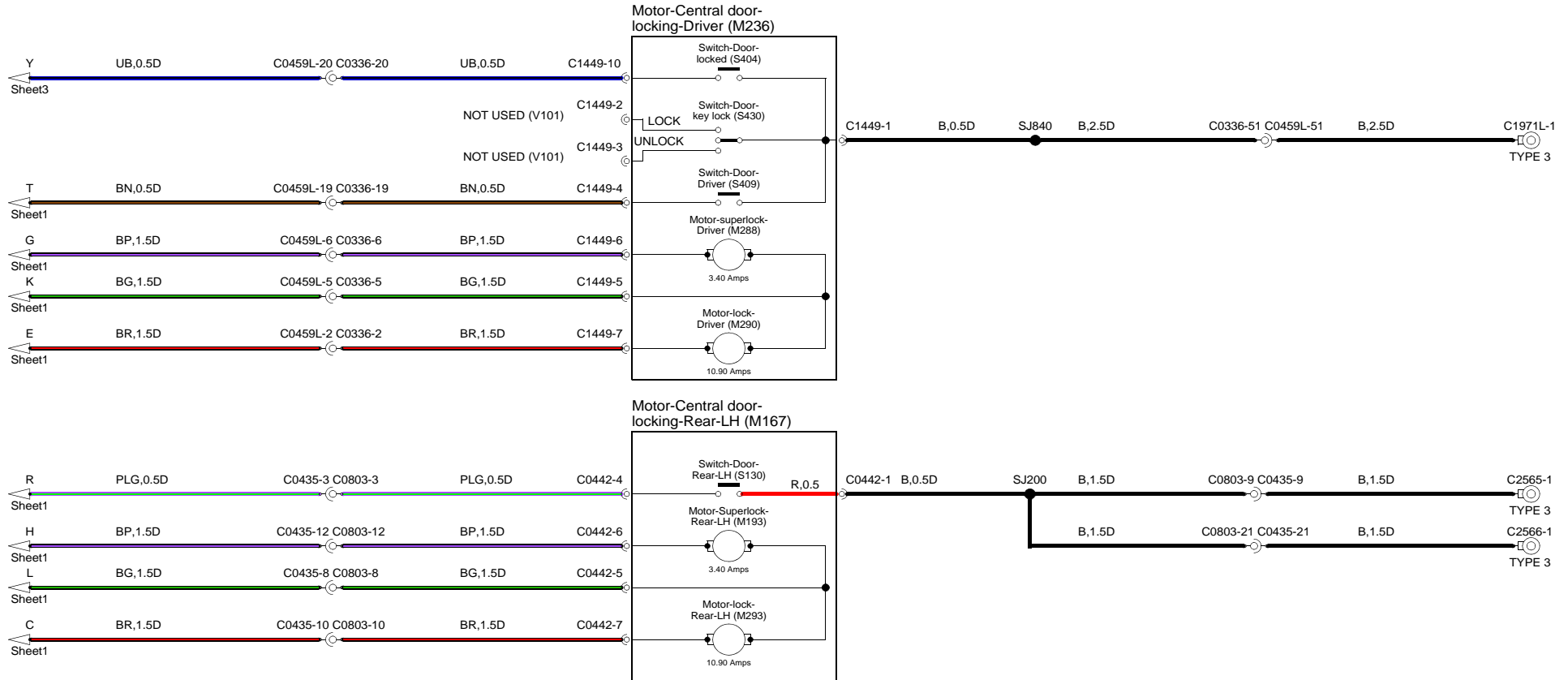


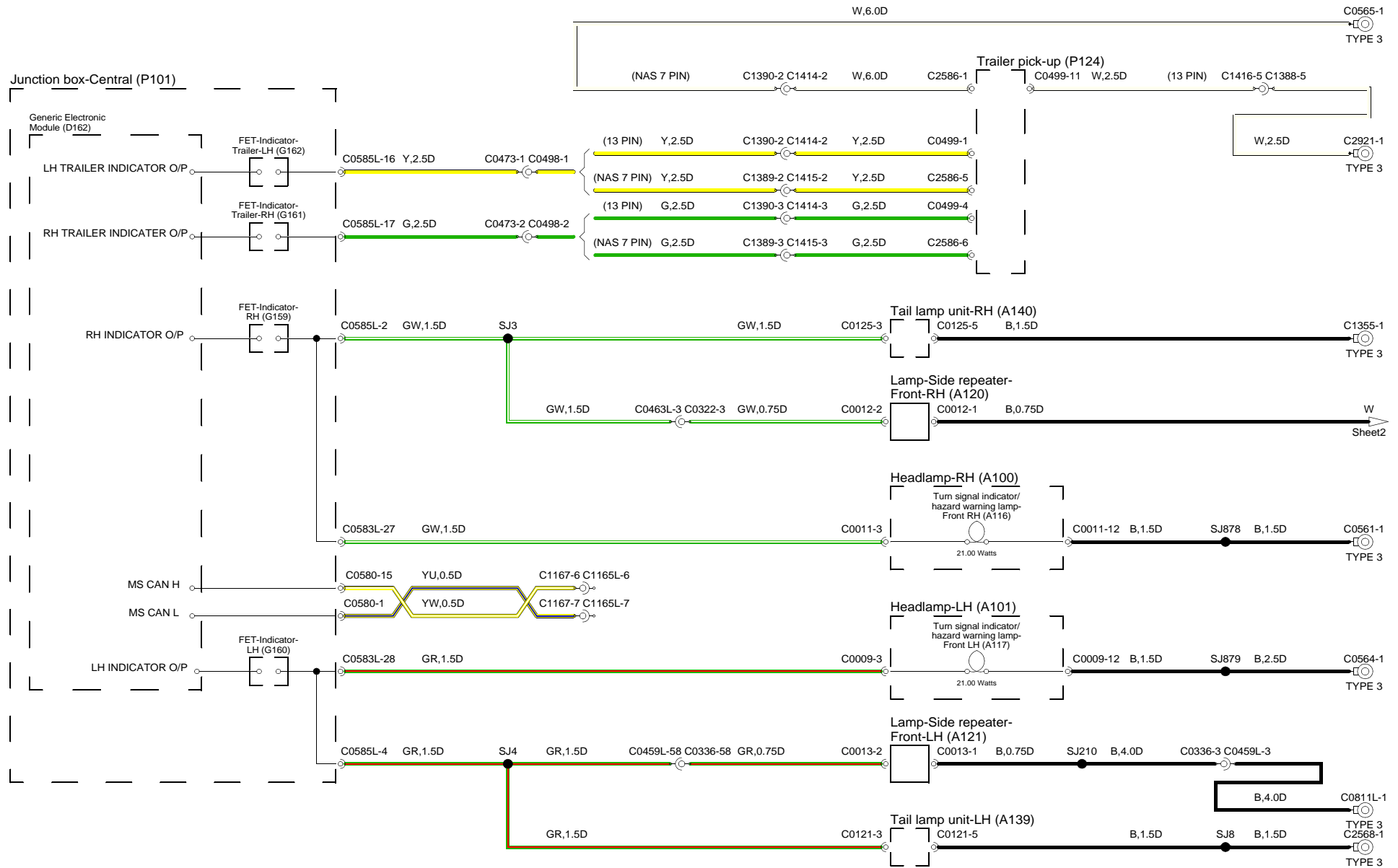




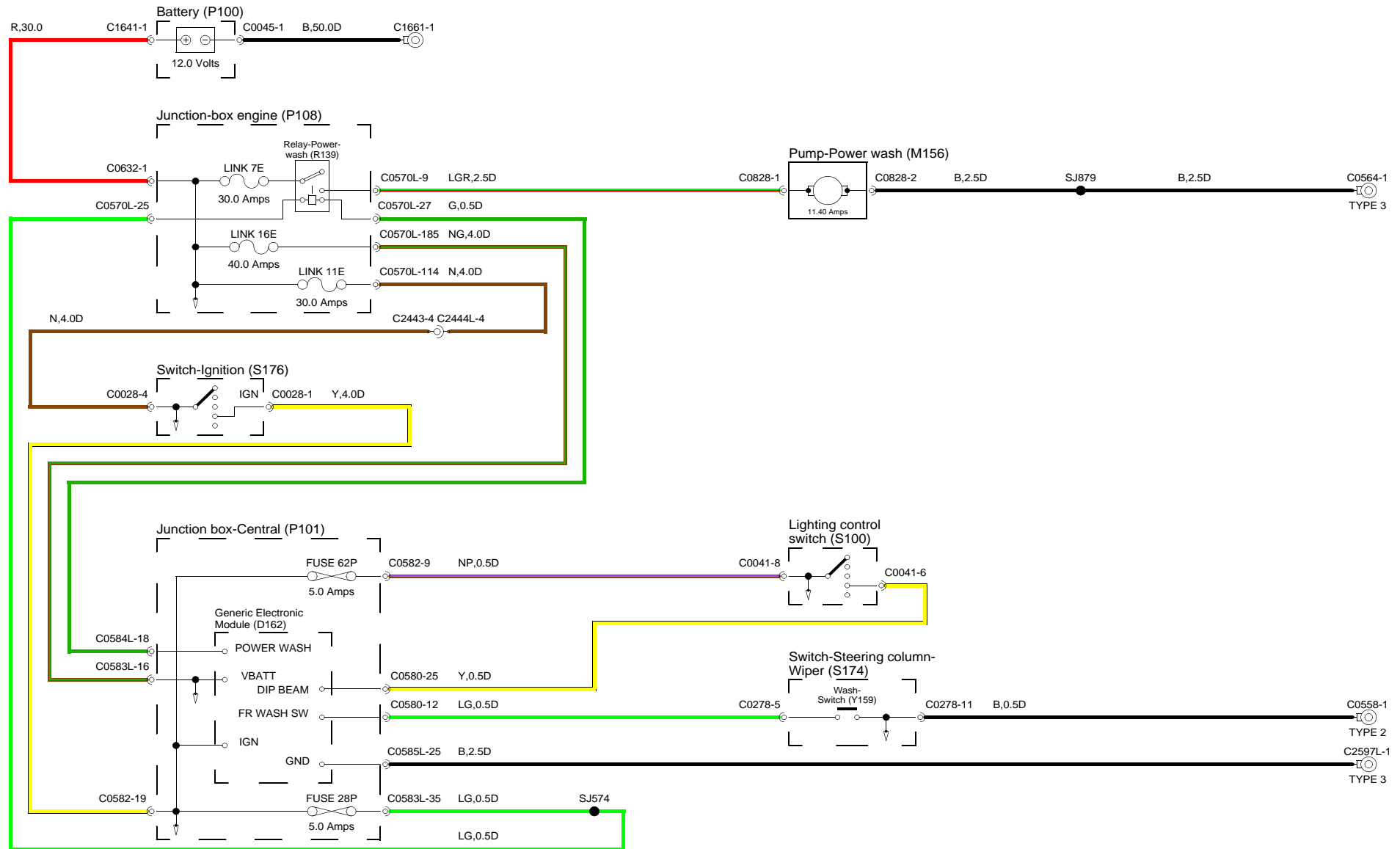


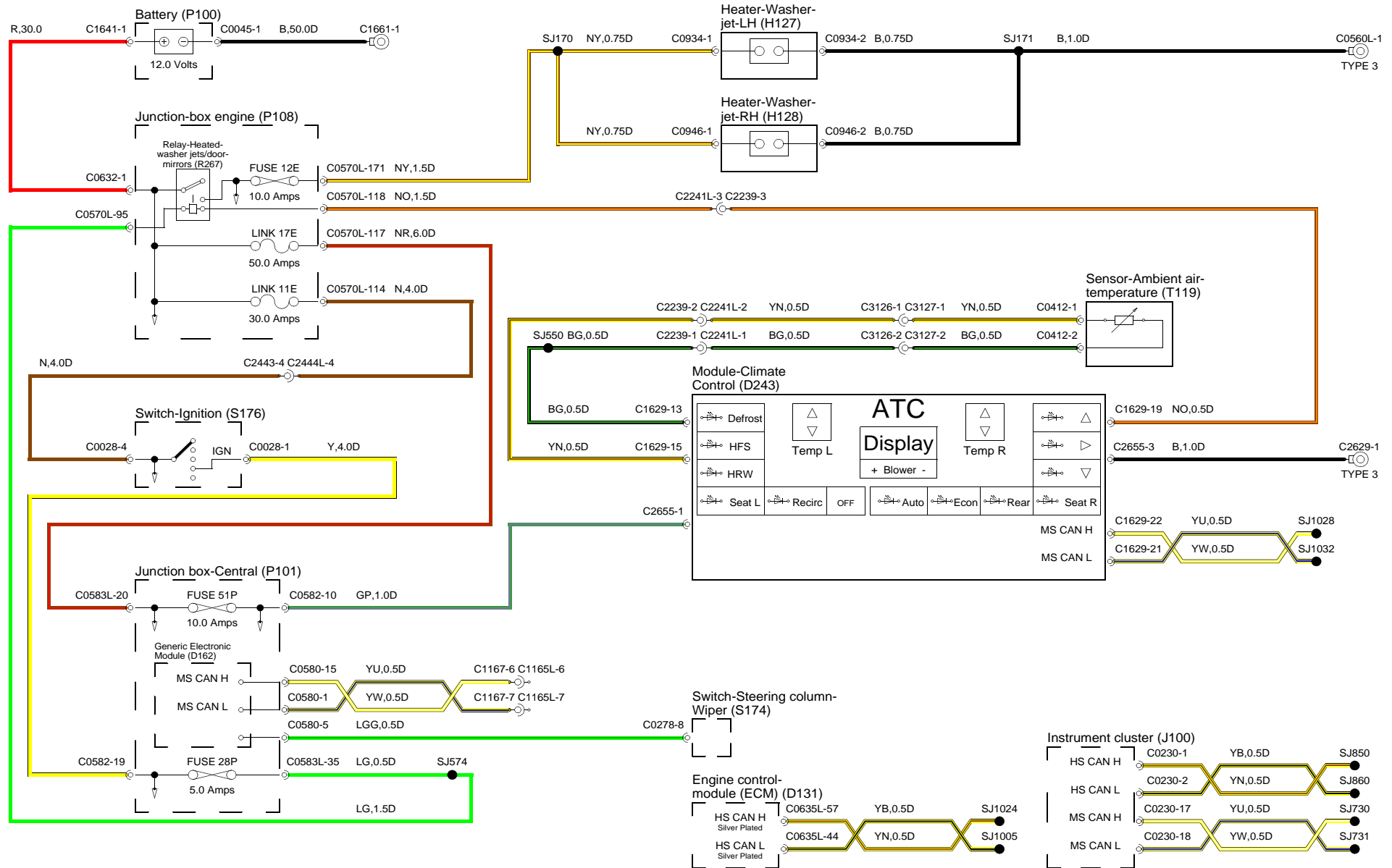


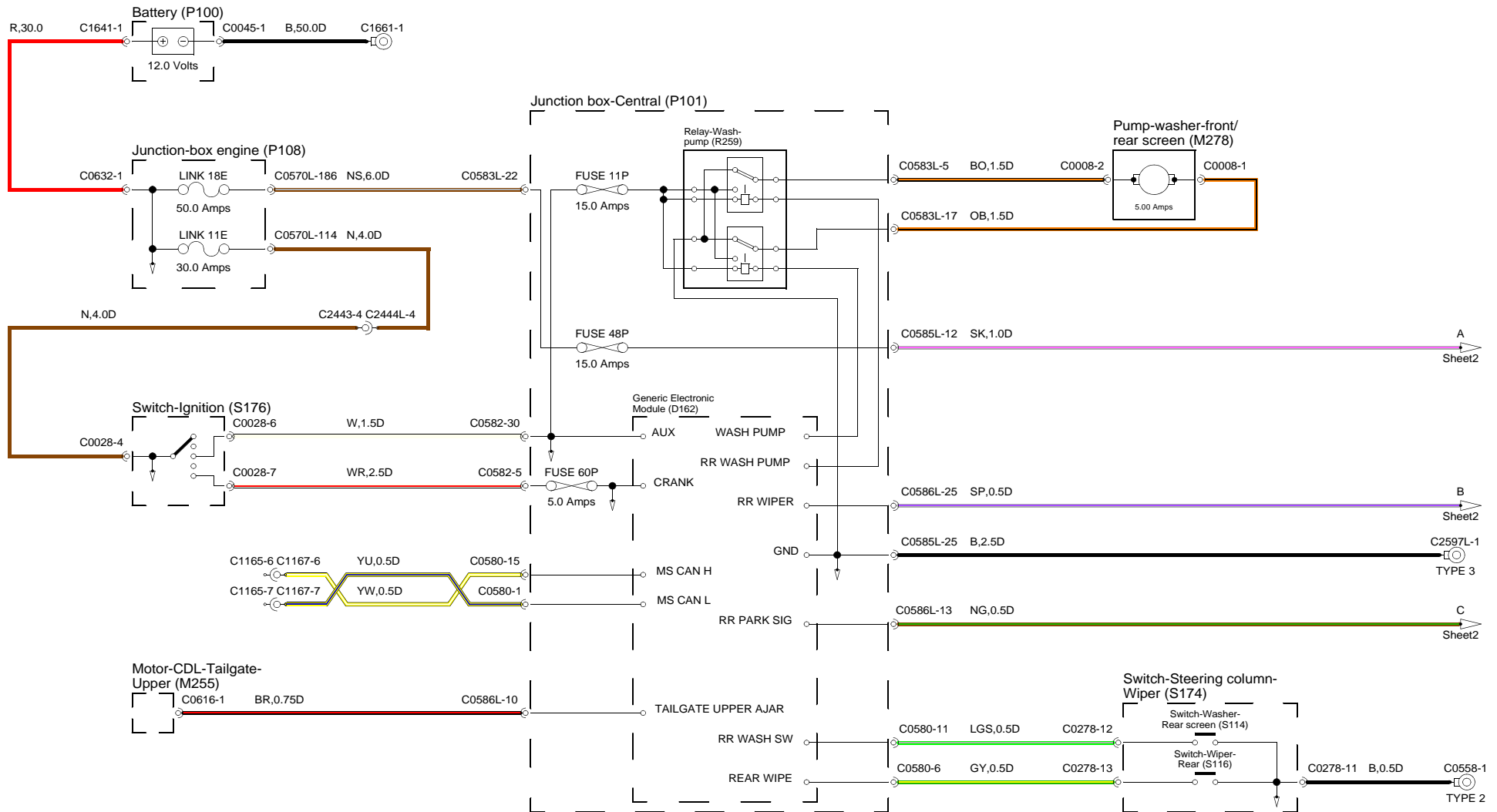


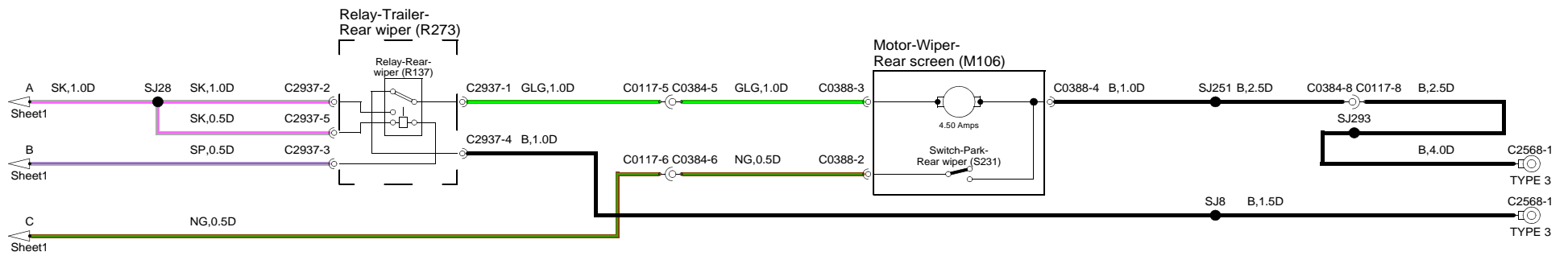


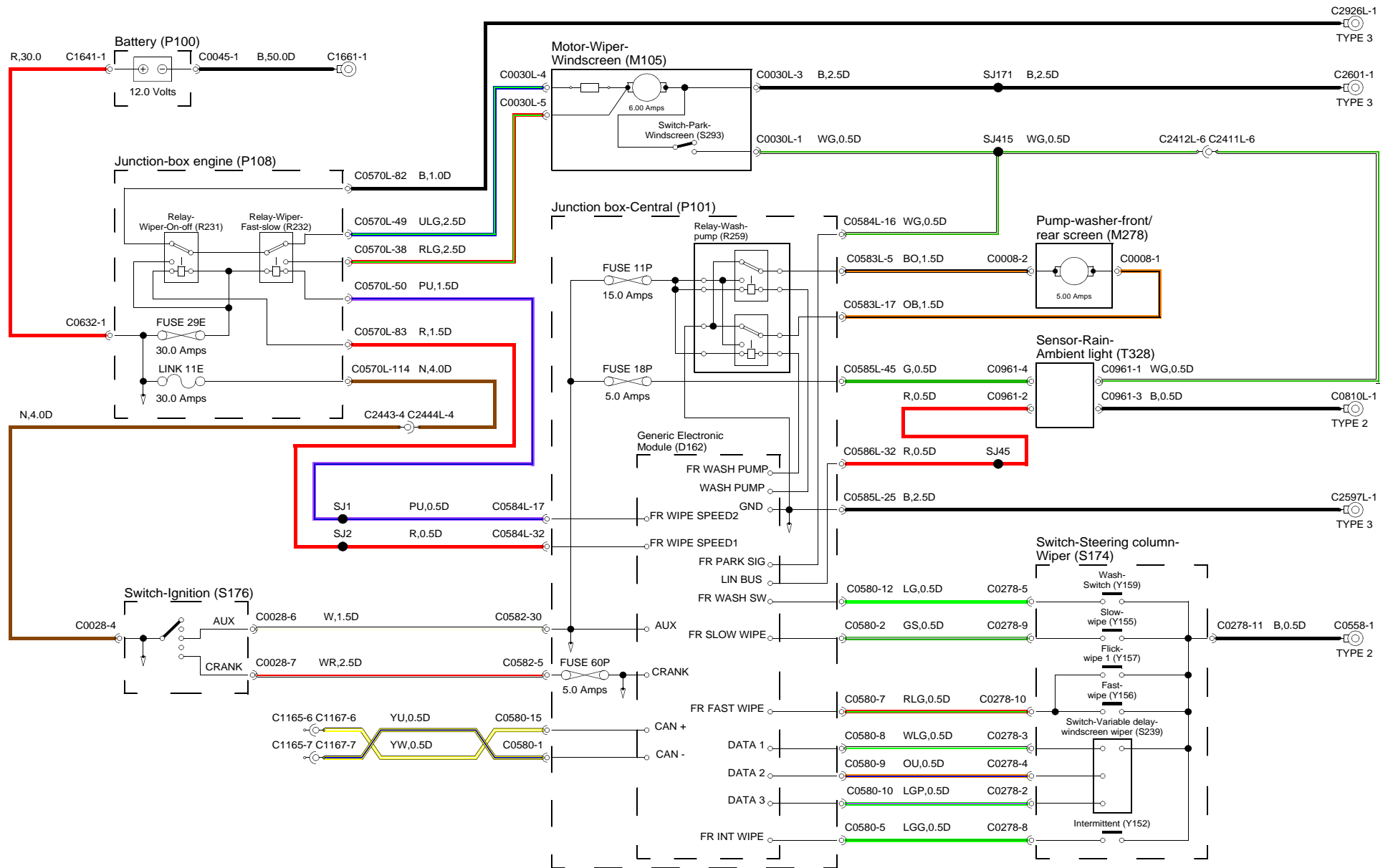












# 501-17 - ROOF OPENING PANEL

