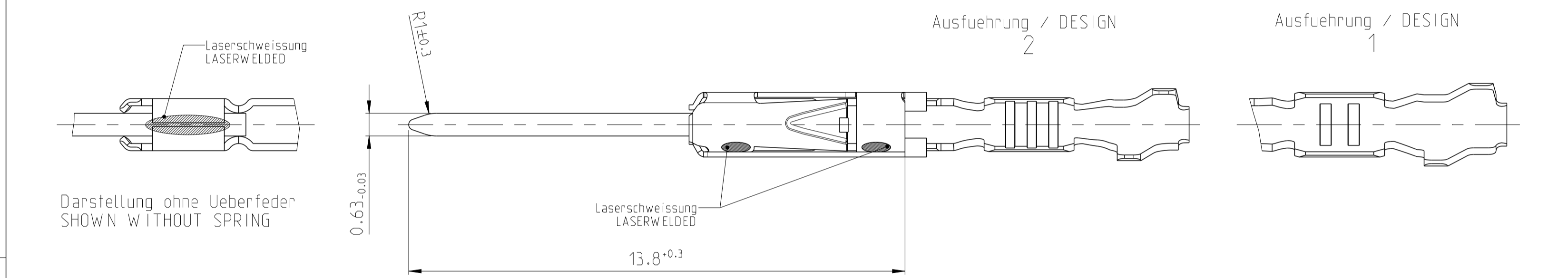
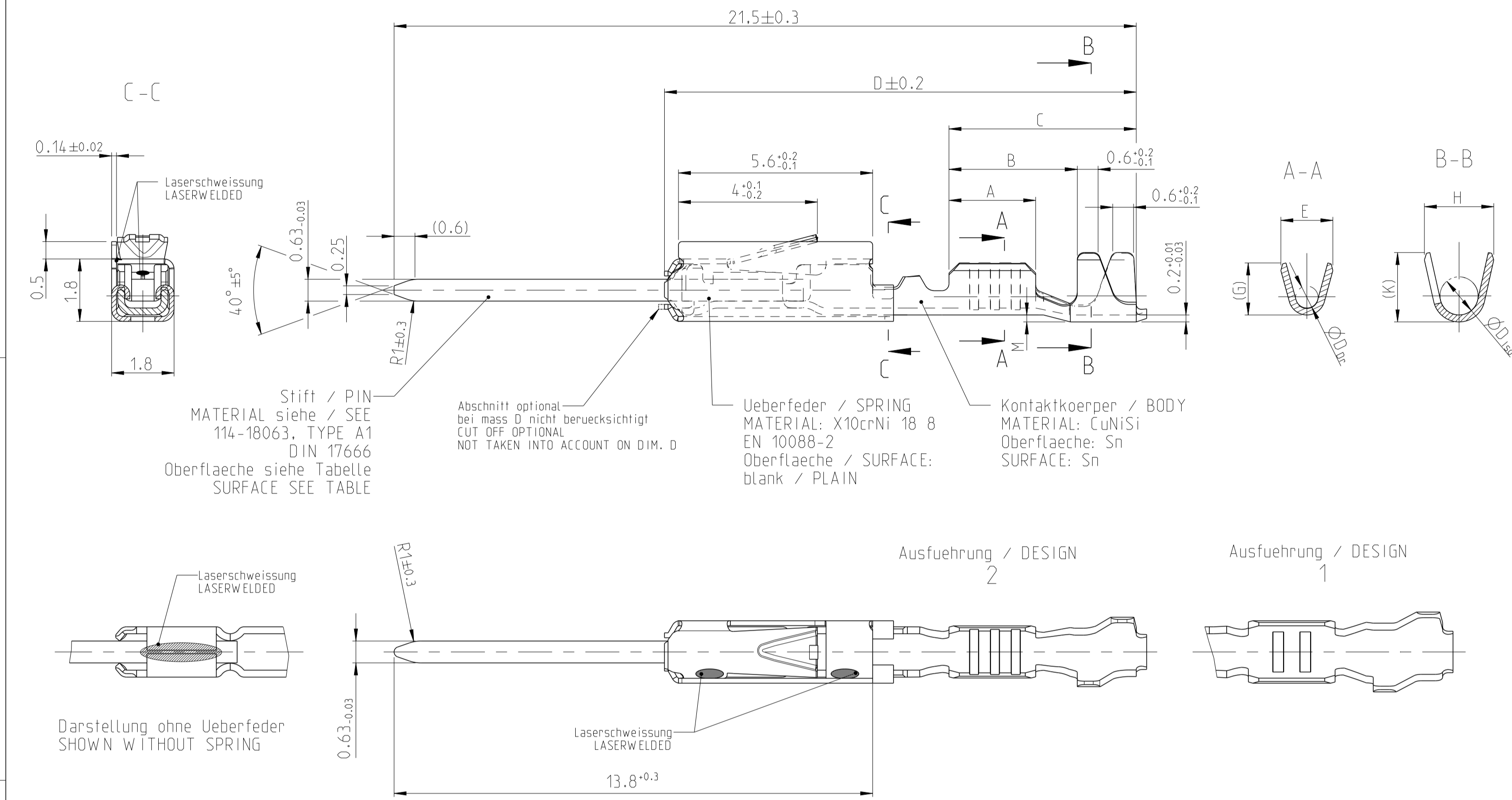
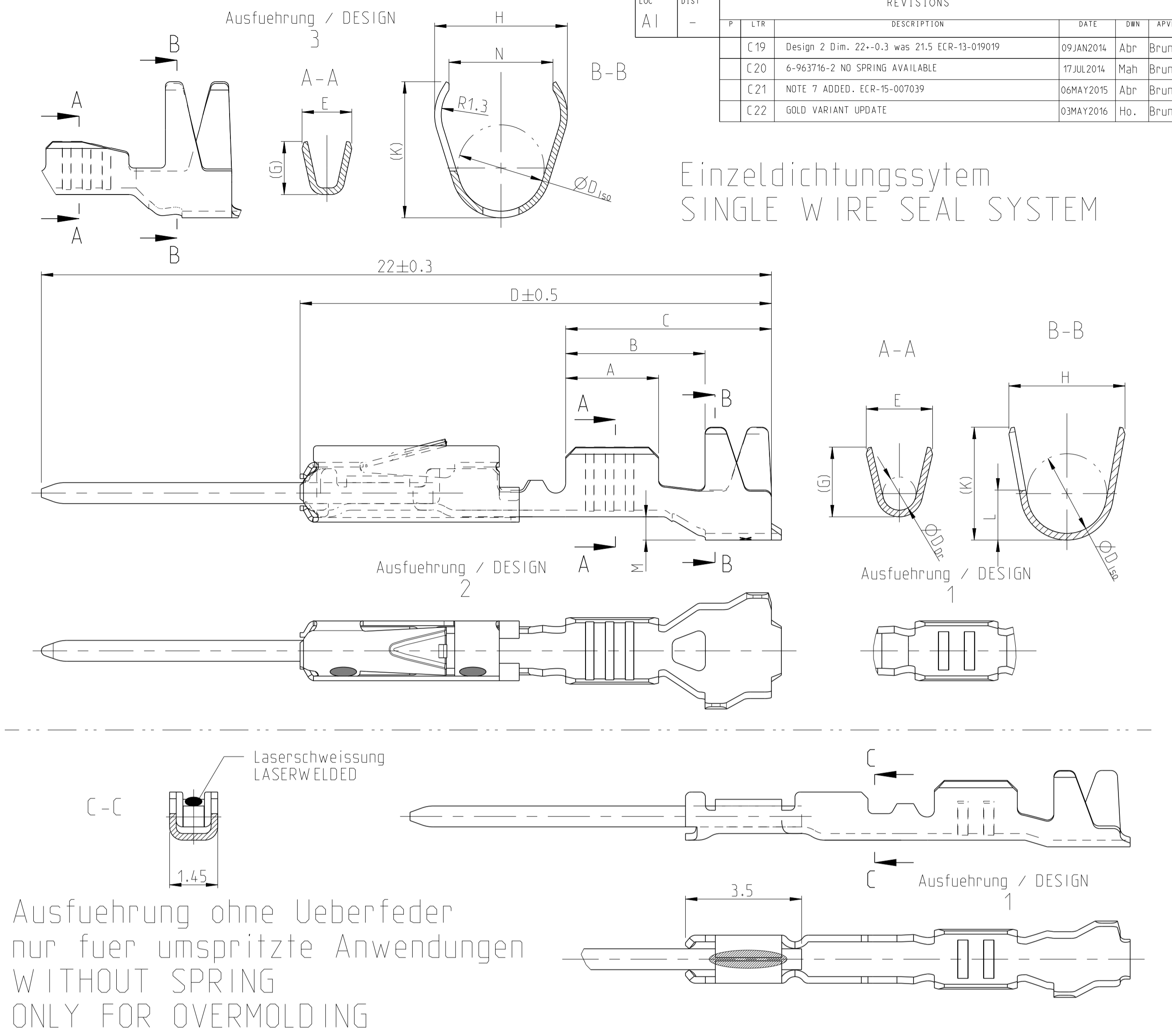


Normale Anwendung
USUAL APPLICATION



Ausführung / DESIGN

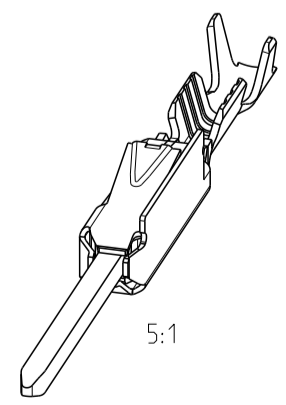
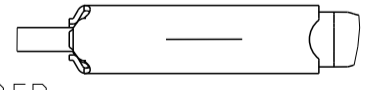


LOC		DIST		REVISIONS			
A1	-	P	LTN	DESCRIPTION	DATE	DMN	APVD
C19				Design 2 Dim. 22±0.3 was 21.5 ECR-13-019019	09JAN2014	Abt	Brun
C20				6-963716-2 NO SPRING AVAILABLE	17JUL2014	Mgh	Brun
C21				NOTE 7 ADDED. ECR-15-007039	06MAY2015	Abt	Brun
C22				GOLD VARIANT UPDATE	03MAY2016	Ho.	Brun

Einzelichtungssystem
SINGLE WIRE SEAL SYSTEM

Bemerkungen

- Datumcode (woche/Jahr z.B. KW 38/Jahr2009) und TE-Revision (z.B. Rev.A)
DATE CODE (WEEK/YEAR E.G. WEEK NUMBER 38/YEAR2009) AND TE REVISION (E.G. REV. A)
- Passend zu Buchsenkontakt siehe Zeichnung 929454
SUITABLE FOR SOCKET CONTACT SEE DRAWING 929454
- Einzelheiten der Ausfuehrung bleiben dem Hersteller ueberlassen
DETAILS OF DESIGN ARE LEFT TO MANUFACTURER
- Nur fuer FLR-Leitung nach DIN 72551 Teil 6
FOR FLR-CONDUCTOR ACCORDING TO DIN 72551-6 ONLY
- nicht fuer Neuanwendung
NOT FOR NEW APPLICATION
- zugverstaerkte Leitung nach LV 112-4
REINFORCED WIRE ACCORDING LV 112-4
- Bei doppelt fallenden Werkzeugen wird die erste Ueberfeder mit einer Kennzeichnung "-" versehen
WITH DOUBLE OUT DIES THE FIRST SPRING WILL BE PROVIDED WITH AN INDICATION "-"



Bestell-Nr. Ausfuehrung ORDER NO. DESIGN	Bestell-Nr. Ausfuehrung ORDER NO. DESIGN	Rev	Bestell-Nr. Ausfuehrung ORDER NO. DESIGN	Rev	Ueberfeder vorhanden SPRING AVAILABLE	VERSION	DGB Wire Size Range mm ²	Oberflaeche SURFACE	Laenge LENGTH mm	Drahtcrimp WIRE CRIMP mm	Iso-crimp INSU-CRIMP mm	Gewicht WEIGHT g	Verarbeitung Spez. APPLICATION SPEC.	DGB Wire Size Range mm ²	Isolations Ø INSULATION DIA. mm	fuer Kammer Ø3.45 FOR CAVITY DIA. 3.45 mm	Blindstopfen RUBBER PLUG	fuer Kammer Ø4 FOR CAVITY DIA. 4 mm	Blindstopfen RUBBER PLUG
5-965908-2	F		965908-2	E	ja / YES	Einzelichtungssystem SINGLE WIRE SEAL SYSTEM	0.50-0.75	Au	A = 2.8 B = 4.2 C = 6.2 D = 14.3 M = 0.7	E = 2 G = 2.1 Dr = 1	H = 3.5 K = 3.4 L = 1.5 D _{ISO} = 2.4	0.18		0.75	1.4-1.9	967067-1 gruen GREEN	967056-1 blau / BLUE	963142-1 schwarz BLACK	963743-1 weiss / WHITE
5-965908-1	D		965908-1	C	ja / YES														
-	-		1-962886-1	N	nein / NO	normale Anwendung USUAL APPLICATION	0.25-0.35	Sn	A = 2.5 B = 3.9 C = 5.9 D = 14 M = 0.7	E = 1.8 G = 1.8 Dr = 0.8	H = 3.5 K = 3.4 L = 1.5 D _{ISO} = 2.4	0.12		0.35	0.9-1.4	967067-2 gelb YELLOW	967056-1 blau / BLUE	963142-2 grau GREY	963743-1 weiss / WHITE
5-962886-2	R		962886-2	M	ja / YES														
5-962886-1	N		962886-1	M	ja / YES	normale Anwendung USUAL APPLICATION	0.13-0.17	Au	A = 2.5 B = 4 C = 5.9 D = 13.9 M = 0.6	E = 1.5 G = 1.4	H = 4 K = 3.9 L = 3.1 D _{ISO} = 2.6	0.15		0.13	0.85-1.25	967067-2 gelb YELLOW	967056-1 blau / BLUE	963142-2 grau GREY	963743-1 weiss / WHITE
2141830-3	A				ja / YES														
2141830-2	A				ja / YES	normale Anwendung USUAL APPLICATION	0.50-0.75	Au	A = 2.8 B = 3.8 C = 5.6 D = 13.65 M = 0.2	E = 2 G = 2.1 Dr = 1	H = 2.7 K = 2.9 L = 0.7 D _{ISO} = 1.6	0.12							
2141830-1	A				ja / YES														
6-963716-2	A				nein / NO	normale Anwendung USUAL APPLICATION	0.25-0.35	Au	A = 2.5 B = 3.6 C = 5.6 D = 13.65 M = 0.2	E = 1.8 G = 1.8 Dr = 0.8	H = 2.3 K = 2.3 L = 0.6 D _{ISO} = 1.4	0.16							
6-963716-1	A		1-963716-2	B	nein / NO														
5-963716-3	A				ja / YES	normale Anwendung USUAL APPLICATION	0.13-0.17	Au	A = 2.5 B = 3.7 C = 5.4 D = 13.65 M = 0	E = 1.5 G = 1.4	H = 2 K = 1.9 L = 1.1 D _{ISO} = 1.1	0.15							
5-963716-2	Z		963716-2	Y	ja / YES														
5-963716-1	W		963716-1	V	ja / YES	normale Anwendung USUAL APPLICATION	0.08-0.22	Au	A = 2.5 B = 3.6 C = 5.6 D = 13.65 M = 0.2	E = 1.5 G = 1.5 Dr = 0.65	H = 2 K = 2 L = 1.1 D _{ISO} = 1.1	0.15							
6-928918-3	A				ja / YES														
6-928918-2	Z		1-928918-2	Y	ja / YES	normale Anwendung USUAL APPLICATION	0.13-0.17	Au	A = 2.5 B = 3.6 C = 5.6 D = 13.65 M = 0.2	E = 1.5 G = 1.5 Dr = 0.65	H = 2 K = 2 L = 1.1 D _{ISO} = 1.1	0.15							
6-928918-1	W		1-928918-1	V	ja / YES														
5-928918-2	A		928918-2	Y	nein / NO	normale Anwendung USUAL APPLICATION	0.08-0.22	Au	A = 2.5 B = 3.6 C = 5.6 D = 13.65 M = 0.2	E = 1.5 G = 1.5 Dr = 0.65	H = 2 K = 2 L = 1.1 D _{ISO} = 1.1	0.15							
5-928918-1	W		928918-1	V	nein / NO														
2141828-3	A				ja / YES	normale Anwendung USUAL APPLICATION	0.13-0.17	Au	A = 2.5 B = 3.6 C = 5.6 D = 13.65 M = 0.2	E = 1.5 G = 1.5 Dr = 0.65	H = 2 K = 2 L = 1.1 D _{ISO} = 1.1	0.15							
2141828-2	A				ja / YES														
2141828-1	A				ja / YES	normale Anwendung USUAL APPLICATION	0.08-0.22	Au	A = 2.5 B = 3.6 C = 5.6 D = 13.65 M = 0.2	E = 1.5 G = 1.5 Dr = 0.65	H = 2 K = 2 L = 1.1 D _{ISO} = 1.1	0.15							
1355719-2	C				ja / YES														
1355719-1	C				ja / YES	normale Anwendung USUAL APPLICATION	0.08-0.22	Au	A = 2.5 B = 3.6 C = 5.6 D = 13.65 M = 0.2	E = 1.5 G = 1.5 Dr = 0.65	H = 2 K = 2 L = 1.1 D _{ISO} = 1.1	0.15							
1355719-1	C				ja / YES														

zugehoerige Einzelichtung / SUITABLE SINGLE WIRE SEAL

THIS DRAWING IS A CONTROLLED DOCUMENT. DIMENSIONS: mm. TOLERANCES UNLESS OTHERWISE SPECIFIED: ±0.2. MATERIAL: -. FINISH: -. DWG: S.Garcia 06JAN1999. CHK: R.Jetter 06JAN1999. APVD: M.Bleicher 13AUG2003. NAME: MQS Tabellenzeichnung Stiftkontakt TABLE PIN CONTACT. SIZE: 108-18030. APPLICATION SPEC: 114-18021 / -18025. WEIGHT: -. Customer Drawing. SCALE: 10:1. SHEET: 1 OF 1. REV: C22.

Mouser Electronics

Authorized Distributor

Click to View Pricing, Inventory, Delivery & Lifecycle Information:

[TE Connectivity:](#)

[1-928918-2](#)