

TECHNICAL BULLETIN

LTB00563v3

13 SEP 2013



© Jaguar Land Rover Limited
All rights reserved.

This reissue replaces all previous versions. Please destroy all previous versions. Only refer to the electronic version of this Technical Bulletin in TOPIx.

This bulletin supersedes TSB LTB00563v2/2013 dated 15 AUG 2013, which should either be destroyed or clearly marked to show it is no longer valid (e.g. with a line across the page). Only refer to the electronic version of this Technical Bulletin in TOPIx.

SECTION: 501-00

Smart Key Low Level Repair

AFFECTED VEHICLE RANGE:

Range Rover (LM)

Model Year: 2010-2012
VIN: 304426-393639

Range Rover Sport (LS)

Model Year: 2010-2013
VIN: 212145-717166

Discovery 4 / LR4 (LA)

Model Year: 2010-2013
VIN: 510178-596988

MARKETS:

All

CONDITION SUMMARY:

Situation: The face of the key is peeling away from the main body. This version has been issued for a change to the Service Instructions and the SRO time.

Cause: Supplier manufacturing process. **Suggested Customer Concern Code - L23.**

Action: Should a customer express concern, follow the Service Instruction outlined below.

PARTS:

LR052882	Smart key kit Discovery 4/LR4	Quantity: 1
LR052905	Smart key kit Range Rover and Range Rover Sport	Quantity: 1

TOOLS:

No Tools Required


WARRANTY:

 **NOTE:** Repair procedures are under constant review, and therefore times are subject to change; those quoted here must be taken as guidance only. Always refer to TOPIx to obtain the latest repair time.

 **NOTE:** DDW requires the use of causal part numbers. Labor only claims must show the causal part number with a quantity of zero.

DESCRIPTION	SRO	TIME (HOURS)	CONDITION CODE	CAUSAL PART
Discovery 4/LR4 315MHZ	86.77.36	0.1	49	LR024096
Discovery 4/LR4 433MHZ	86.77.36	0.1	49	LR032873

Range Rover and Range Rover Sport 315MHZ	86.77.36	0.1	49	LR024070
Range Rover and Range Rover Sport 433MHZ	86.77.36	0.1	49	LR032796

 **NOTE: Normal Warranty policies and procedures apply.**

SERVICE INSTRUCTION:

 **NOTE: Please refer to SSM 66357 (Smart key low level repair, animation) to view animation file.**

1.



E158175

2. Release Button pull the Battery Cover Frame Open.



E158176

3. Remove the battery holder assembly and place to one side.



E158177

4. Using a suitable tool lever open the body of the smart key.

1. Discard the upper-case.



E158178

5. Remove and place to one side the battery cover frame.



E158179

6. Remove and place to one side the key frame holder.



E158180

7.  **CAUTION:** On removing the Printed Circuit Board (PCB) only handle on the outer edges of the board.

 **NOTE:** Remove the PCB place to one side.

Remove the PCB.



E158181

8. Remove retaining clip and leaf spring and place to one side.




E158182

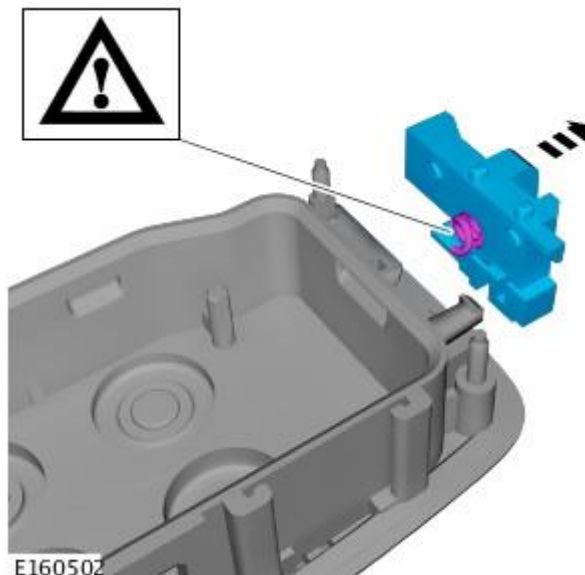
9. Remove the silicon seal from old lower case.




E159794

10.  **NOTE: Make sure the spring is retained as it is required on the install procedure.**

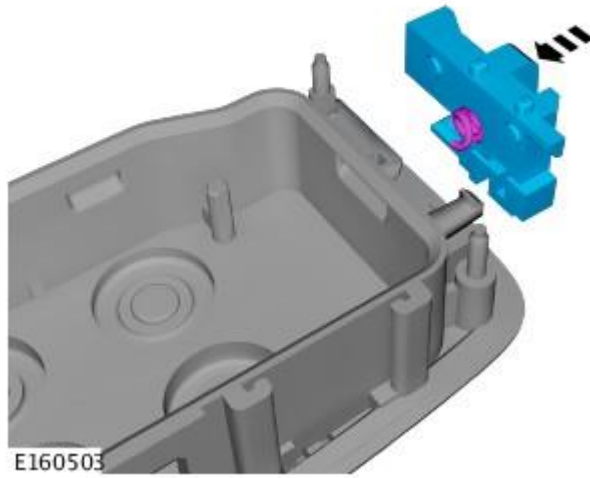
Remove the Release Button, discard the lower-case.



E160502

11.  **NOTE: Make sure the spring is fitted and located.**

Install the Release Button into the new lower case.



12. Install the silicon seal.



13. Install the retaining clip and leaf spring as E158184.



14.  **CAUTION:** On installing the Printed Circuit Board (PCB) only handle on the outer edges of the board.

Install the PCB.



15. Install the key frame holder.



16. Install the battery cover frame.




17. Install the battery holder assembly.



18. Press the two half's of the smart key together, listen for a audible click to make sure they are correctly assembled.



19.  **NOTE: SDD is not required to program the key at the end of this process.**
Check correct operation of the smart key on the vehicle.