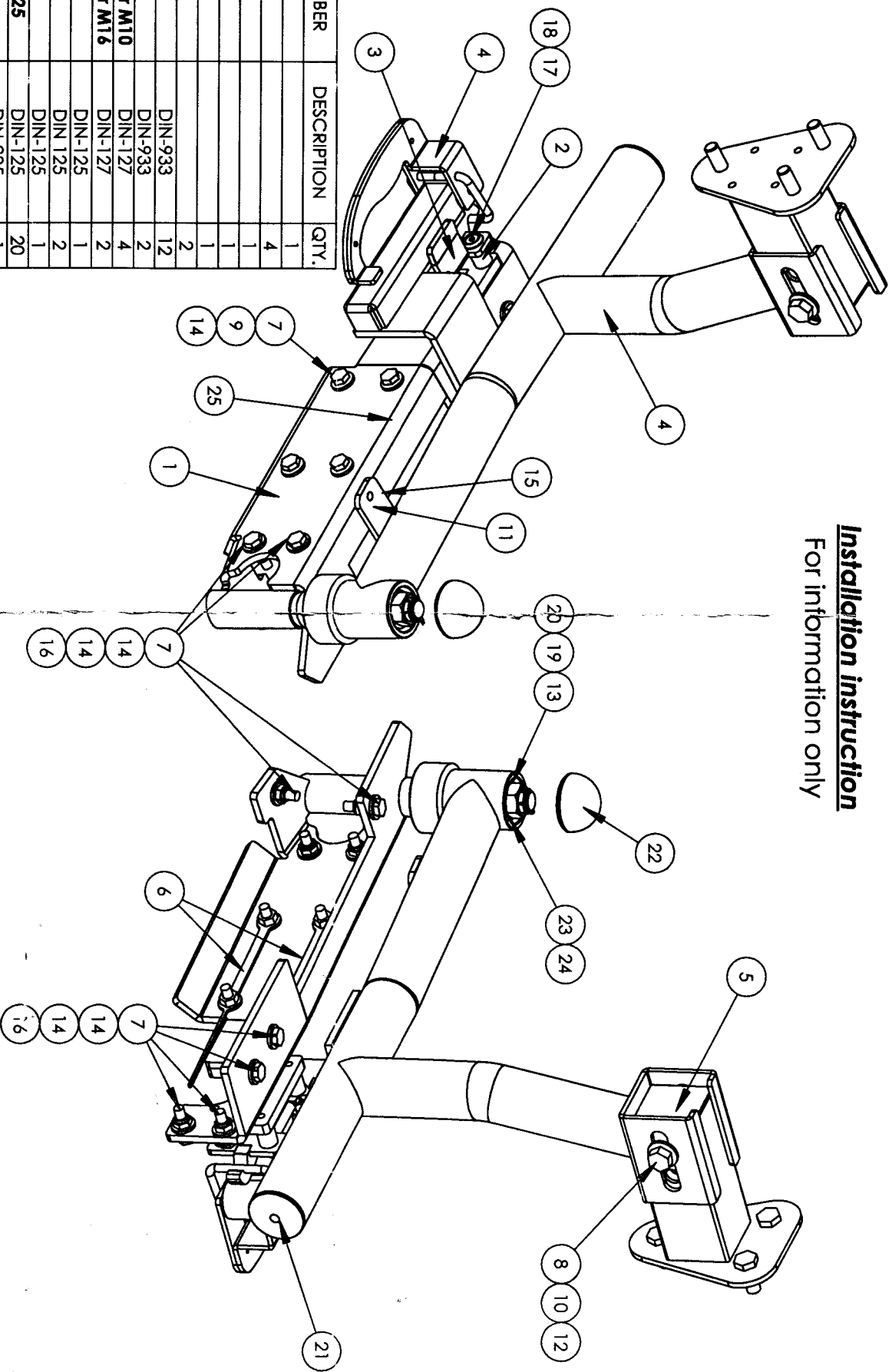


Installation instruction
For information only



ITEM NO.	PART NUMBER	DESCRIPTION	QTY.
1	LRDS3-50-1		1
2	LRDS3-50-3		4
3	LRDS3-50-4		1
4	LRDS3-50-2		1
5	LRDS3-50-6		1
6	LRDS3-50-7		2
7	Bolt M10x35	DIN-933	12
8	Bolt M16x30	DIN-933	2
9	Spring washer M10	DIN-127	4
10	Spring washer M16	DIN-127	2
11	Washer M8	DIN-125	1
12	Washer M16	DIN-125	2
13	Washer M 20	DIN-125	1
14	Washer M10x25	DIN-125	20
15	Lock nut M8	DIN-985	1
16	Lock nut M10	DIN-985	8
17	Screw M8x45	DIN-7991	4
18	Cone washer M8	SN-213912	4
19	Nut M20 DIN935-1	DIN-935-1	1
20	Spill pin		1
21	Flat cover		1
22	Roll cover		1
23	Bearing	NSK HR30204J	1
24	Bearing	NSK HR30206J	1
25	Gas spring		1

PROPRIETARY AND CONFIDENTIAL
THE INFORMATION CONTAINED IN THIS DRAWING IS THE SOLE PROPERTY OF RASTA. ANY REPRODUCTION IN PART OR AS A WHOLE WITHOUT THE WRITTEN PERMISSION OF RASTA IS PROHIBITED.

Rev. Cat. No.: LRDS3-50

Land Rover Discovery-3
Swing away tire mount

Rasta technologies ltd.
www.rasta4x4.com

MEMBER