



Front Bumper (76.22.49)

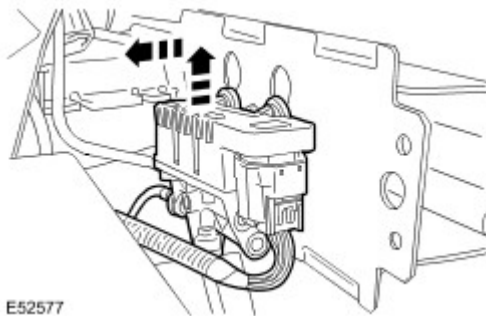
Removal

All vehicles

1. Remove the front bumper cover. For additional information, refer to [Front Bumper Cover \(76.22.72\)](#) (Section 501-19)

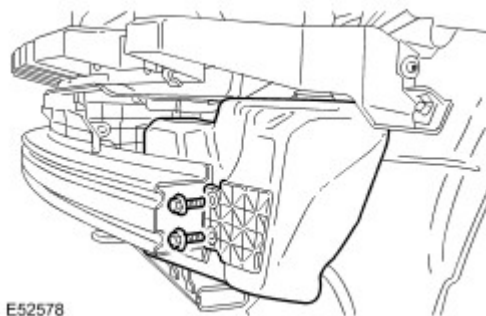
Vehicles with dynamic suspension

1. Release the front air suspension valve block from the bumper.

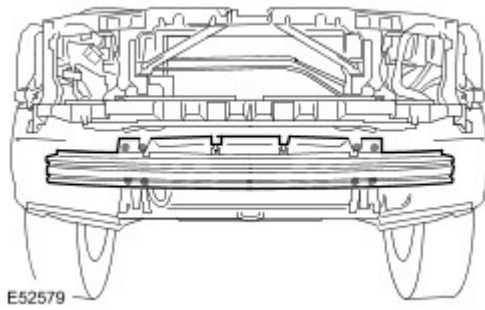


All vehicles

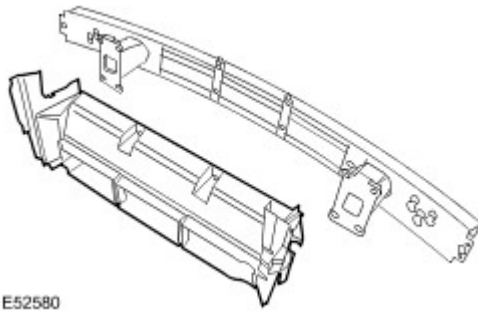
1. Release the washer reservoir.
▶ Remove the 2 bolts.



2. Remove the front bumper assembly.
▶ Remove the 8 bolts.



3. **NOTE :**
Do not disassemble further if the component is removed for access only.
Remove the front bumper air ducting.



Installation

All vehicles

1. Install the bumper air ducting.
2. Install the front bumper assembly.
 - ▶ Tighten the bolts to 25 Nm (18 lb.ft).
3. Secure the washer reservoir.
 - ▶ Tighten the 2 bolts to 10 Nm (7 lb.ft).

Vehicles with dynamic suspension

1. Secure the front air suspension valve block to the bumper.

All vehicles

1. Install the front bumper cover. For additional information, refer to [Front Bumper Cover \(76.22.72\)](#) (Section 501-19)