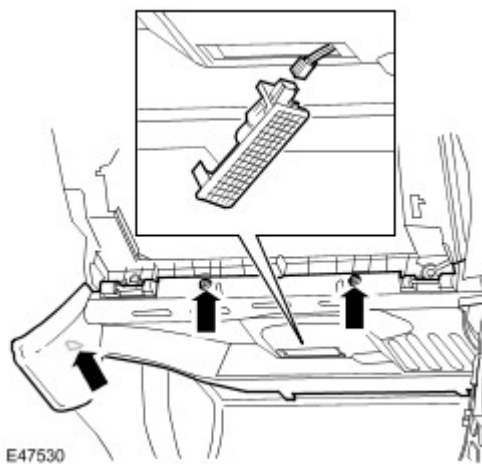


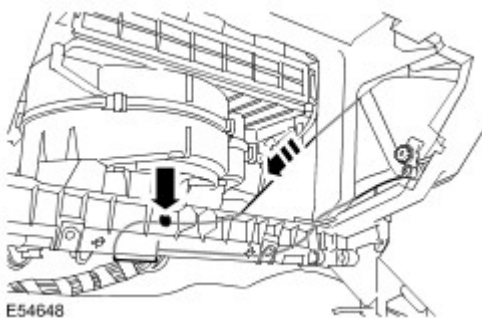
## Passenger Side Temperature Blend Door Actuator (80.10.38)

### Removal

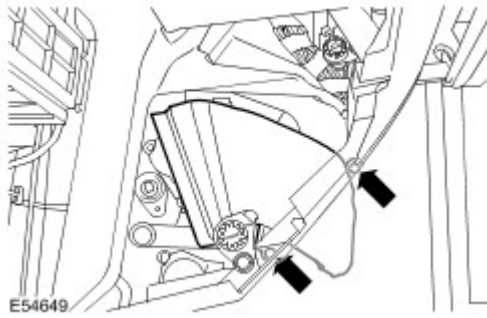
1. Remove the glove compartment. For additional information, refer to [Instrument Panel Console \(76.25.03\)](#) (Section 501-12)
2. Remove the passenger side closing trim panel.
  - ▶ Release the clip.
  - ▶ Remove the 2 screws.
  - ▶ Disconnect the electrical connector.



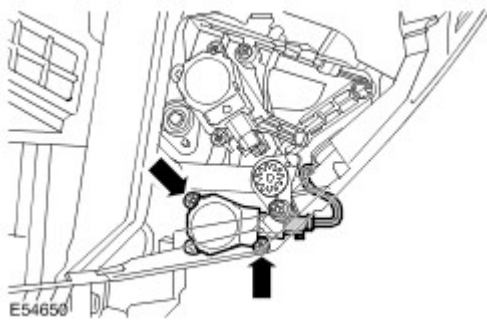
3. Remove the passenger side footwell duct.
  - ▶ Remove the clip.



4. Remove the passenger side footwell duct elbow.
  - ▶ Remove the 2 Torx screws.



5. Remove the temperature blend door actuator.
  - ▶ Disconnect the electrical connector.
  - ▶ Remove the 2 screws.



## Installation

1. Install the temperature blend door actuator.
  - ▶ Tighten the screws.
  - ▶ Connect the electrical connector.
2. Install the passenger side footwell duct elbow.
  - ▶ Tighten the screws.
3. Install the passenger side footwell duct.
  - ▶ Install the clip.
4. Install the passenger side closing trim panel.
  - ▶ Install the interior lamp.
  - ▶ Connect the electrical connector.
  - ▶ Secure the clip.
5. Install the glove compartment. For additional information, refer to [Instrument Panel Console \(76.25.03\)](#) (Section 501-12)