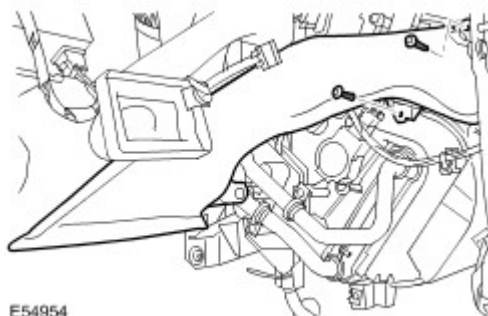


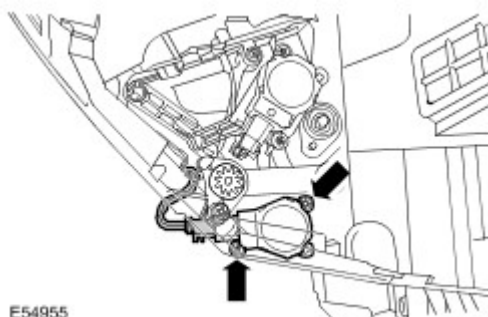
## Instrument Panel Blend Door Actuator - LHD (80.20.09)

### Removal

1. Remove the instrument panel driver side reinforcement. For additional information, refer to [Instrument Panel Driver Side Reinforcement \(76.46.31\)](#) (Section 501-12)
2. Remove the driver side footwell duct.
  - ▶ Remove the 2 Torx screws.



3. Remove the instrument panel blend door actuator.
  - ▶ Disconnect the electrical connector.
  - ▶ Remove the 2 screws.



### Installation

1. Install the instrument panel blend door actuator.
  - ▶ Tighten the screws.
  - ▶ Connect the electrical connector.
2. Install the driver side footwell duct.
  - ▶ Tighten the screws.
3. Install the instrument panel driver side reinforcement. For additional information, refer to [Instrument Panel Driver Side Reinforcement \(76.46.31\)](#) (Section 501-12)