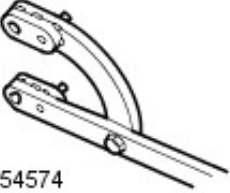







# Rear Drive Axle/Differential - Drive Pinion Seal

In-vehicle Repair


## Special Tool(s)


<p><b>205-053</b></p>  <p>E54574</p>	<p>Flange holding tool 205-053</p>
<p><b>205-053</b></p>  <p>E54585</p>	<p>Adapter for 205-053</p>
<p><b>100-012</b></p>  <p>E54135</p>	<p>Impulse extractor 100-012(LRT-99-004)</p>
<p><b>205-821</b></p>  <p>E54586</p>	<p>Installer drive pinion oil seal 205-821</p>
<p><b>205-824</b></p>  <p>E54587</p>	<p>Remover drive flange 205-824</p>
<p><b>205-823</b></p>  <p>E54700</p>	<p>Remover drive pinion seal 205-823</p>
	<p>Seal installer, adaptor 205-821-01</p>



## Removal

### CAUTIONS:

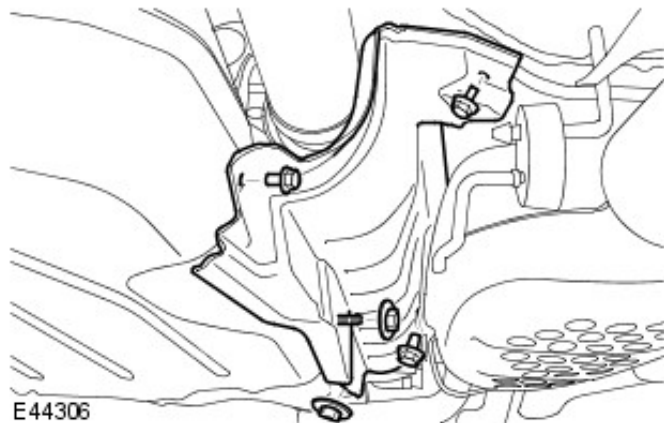
 The input flange must not be change for one from another unit.

 The drive pinion seal must only be renewed for 1 repair.

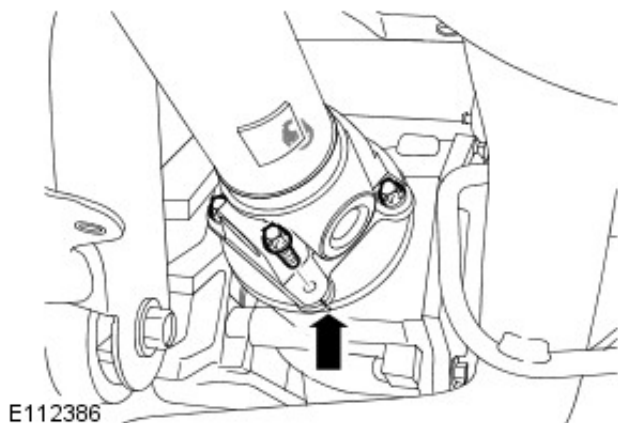
1.  **WARNING:** Do not work on or under a vehicle supported only by a jack. Always support the vehicle on safety stands.


Raise and support the vehicle.

2. Drain the differential lubricant.  
For additional information, refer to: [Differential Draining and Filling](#) (205-02 Rear Drive Axle/Differential, General Procedures).



3. Remove the fuel tank heat shield.
  - Remove the 3 bolts and 2 nuts.



4.  **CAUTION:** Mark the position of the driveshaft flange in relation to the drive pinion flange.

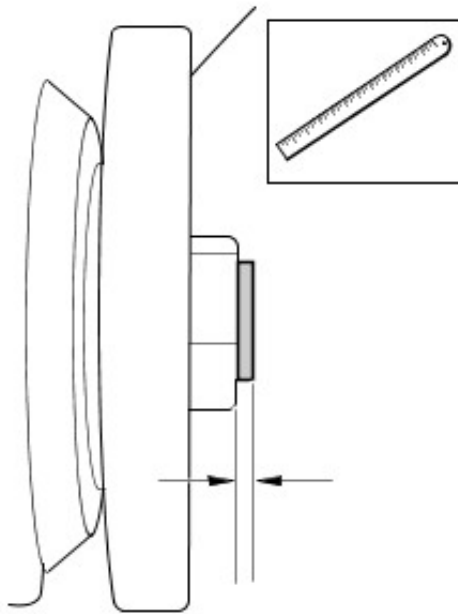
Release the driveshaft from the rear axle drive pinion flange.

- Remove and discard the 4 Torx bolts.

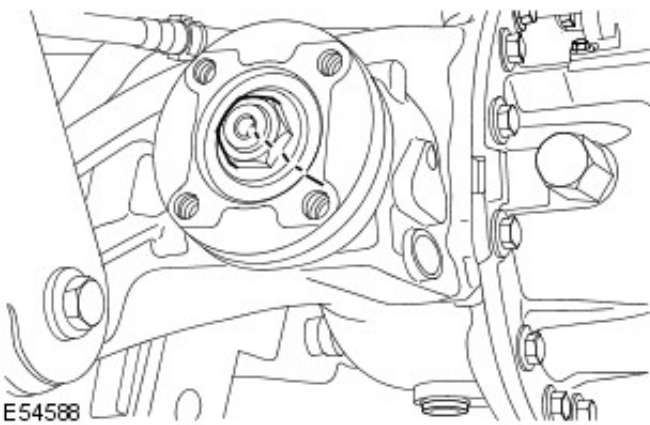
5. Measure the depth of the pinion nut on the pinion shaft.

- Note measurement for installation.

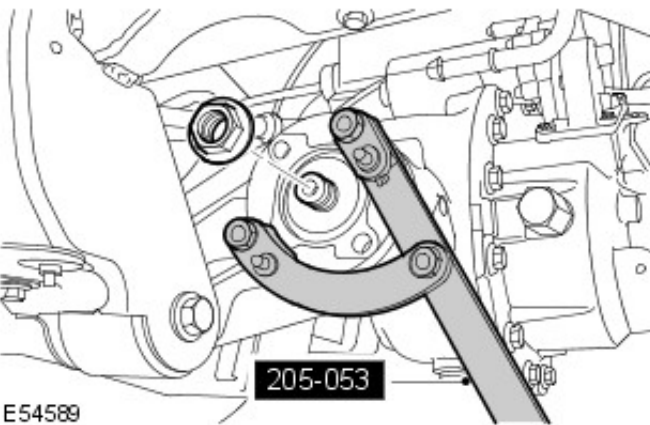
E112387



E54588



E54589

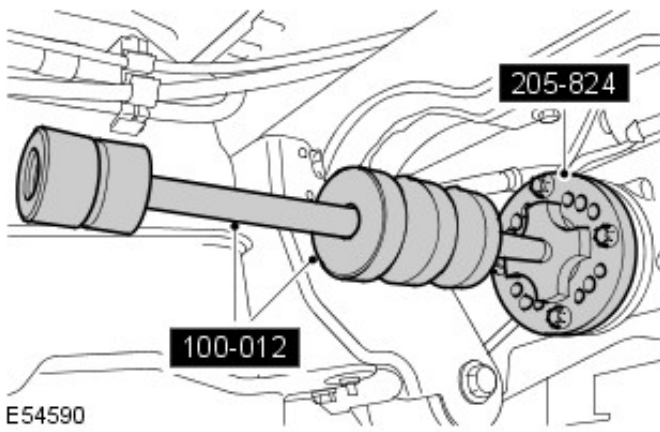


6.  **CAUTION:** This step must be carried out to make sure that the drive pinion nut is correctly tightened on assembly.

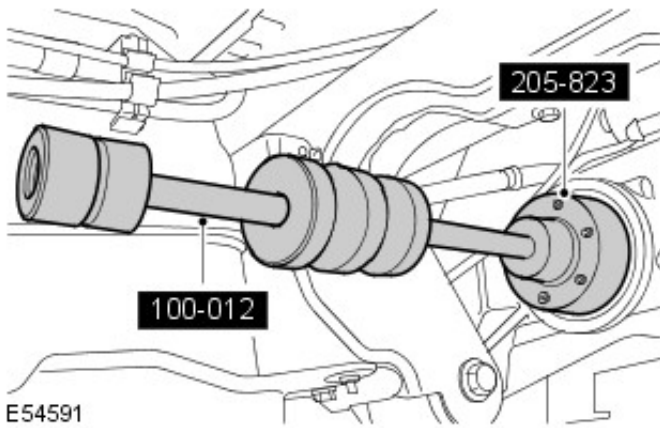
Accurately scribe a line to mark the drive pinion shaft to the drive pinion nut and pinion flange.

7. Remove the drive pinion flange retaining nut.
- Using the special tool, counter hold the drive pinion flange.
  - Note number of turns for installation.

8. Using the special tool, remove the drive pinion flange.
- Check flange seal journal for any damage.

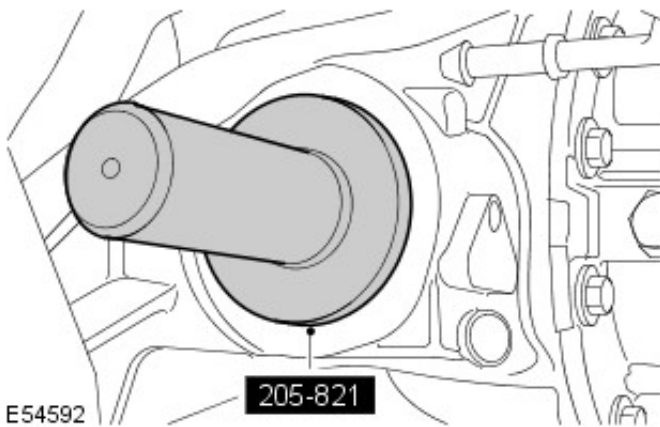


9. Using the special tool, remove the drive pinion seal.

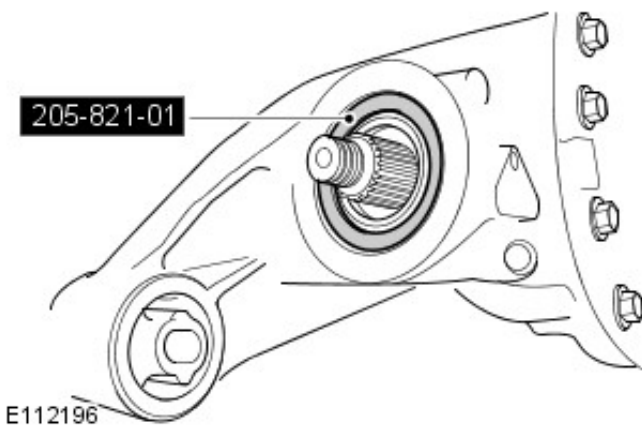


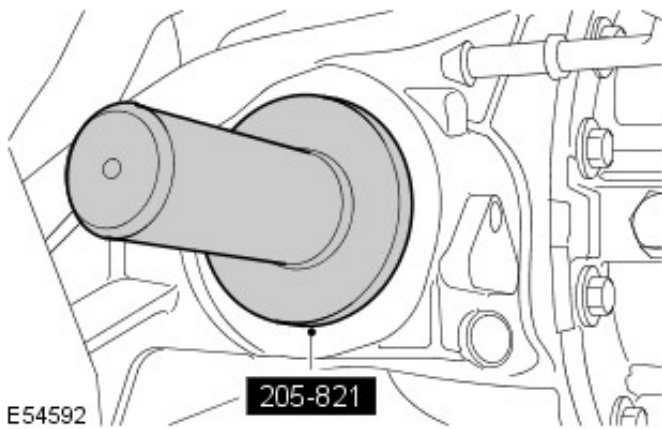
### Installation


1. Clean the drive pinion flange.
2. Clean the drive pinion seal mating faces.
3. Using the special tool, install the new drive pinion seal.



4. Remove the special tool.
  - Install special tool 205-821-01 to the seal face.





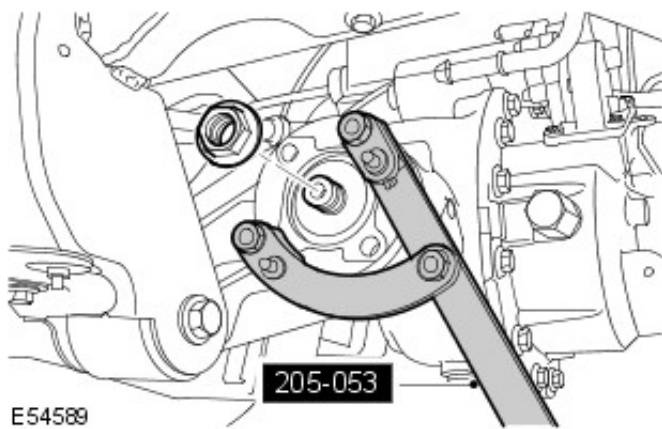
5.  **CAUTION:** Make sure adaptor is removed or damage to the vehicle may occur.

Using the special tool, install the new drive pinion seal.


- Remove the special tools.


6.  **CAUTION:** Make sure the drive pinion flange scribed marks are aligned.


Install the drive pinion flange.



7. **CAUTIONS:**

 Make sure the mark on the drive pinion nut is never tightened short of the scribed mark on the drive pinion shaft.

 Make sure the drive pinion flange has no end float and is free to rotate.


 Make sure the scribed mark on the drive pinion nut is no more than a maximum of 5 degrees past the scribed mark on the drive pinion shaft.

Install the drive pinion flange retaining nut.

- Using the special tool, counter hold the drive pinion flange.
- Install nut to previously noted number of turns.
- Measure the depth of the pinion nut on the pinion shaft.

8. Attach the driveshaft to the rear axle drive flange.
- Clean the component mating faces.
  - Attach the driveshaft to the rear axle drive flange.
  - Tighten the new Torx bolts to 150 Nm (110 lb.ft).

9. Install the fuel tank heat shield.
- Tighten the bolts and nuts to 10 Nm (7 lb.ft).

10.  **CAUTION:** Make sure the correct specification and quantity of oil is used.

Fill the differential with the correct amount of lubricant.

For additional information, refer to: [Differential Draining and Filling](#) (205-02 Rear Drive Axle/Differential, General Procedures).