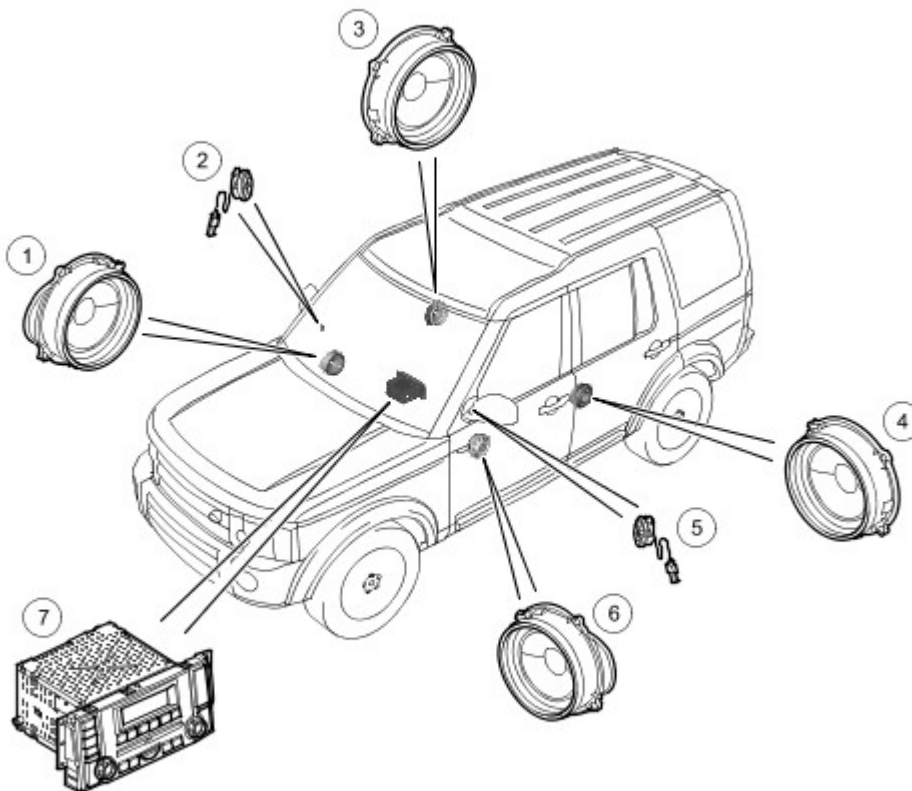


## Speakers

The speaker configuration depends on the level of audio and head unit fitted to the vehicle. The following details the speaker configuration and control for each system.

### LOW LINE AUDIO SYSTEM

#### Low Line Audio System Speaker Component Location



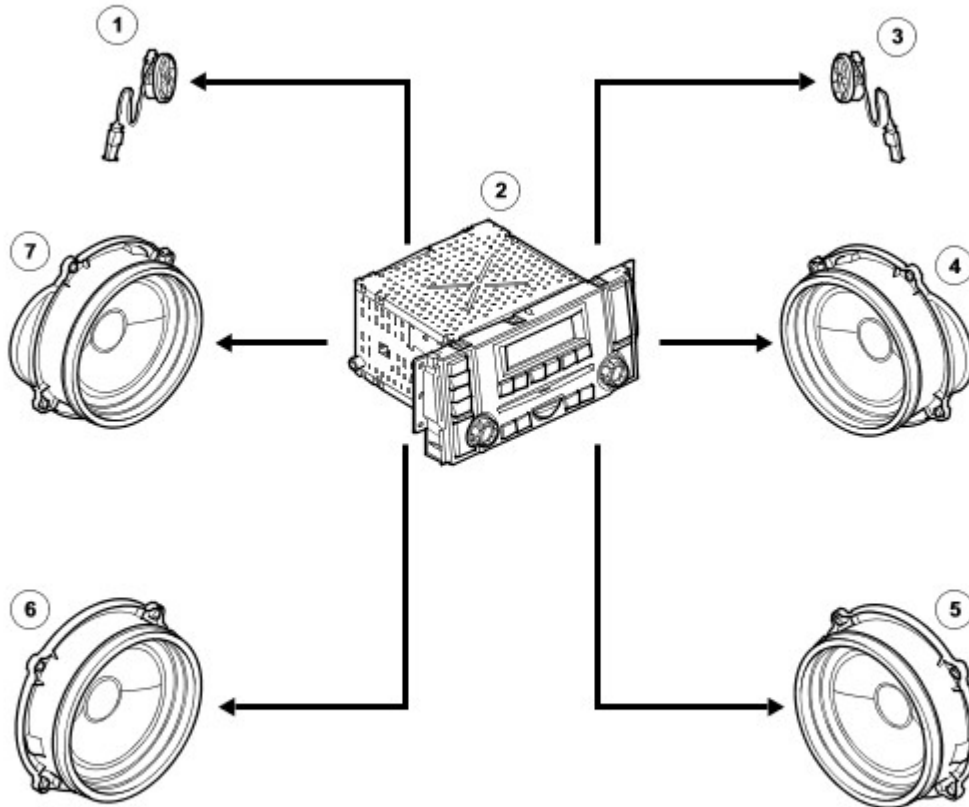
E48352

Item	Part Number	Description
1	-	Front RH door mid/bass speaker
2	-	Front RH door tweeter
3	-	Rear RH door full range speaker
4	-	Rear LH door full range speaker
5	-	Front LH door tweeter
6	-	Front LH door mid/bass speaker
7	-	Head unit

## Low Line Audio System Speaker Control Diagram

**NOTE :**

A= Hardwired



A →

E48355

Item	Part Number	Description
1	-	Front LH tweeter
2	-	Head unit
3	-	Front RH tweeter
4	-	Front RH mid/bass speaker
5	-	Rear RH full range speaker
6	-	Rear LH full range speaker
7	-	Front LH mid/bass speaker

The low line audio speaker system is driven directly from the audio head unit. For additional information, refer to [Audio System](#) (415-01 Audio Unit)

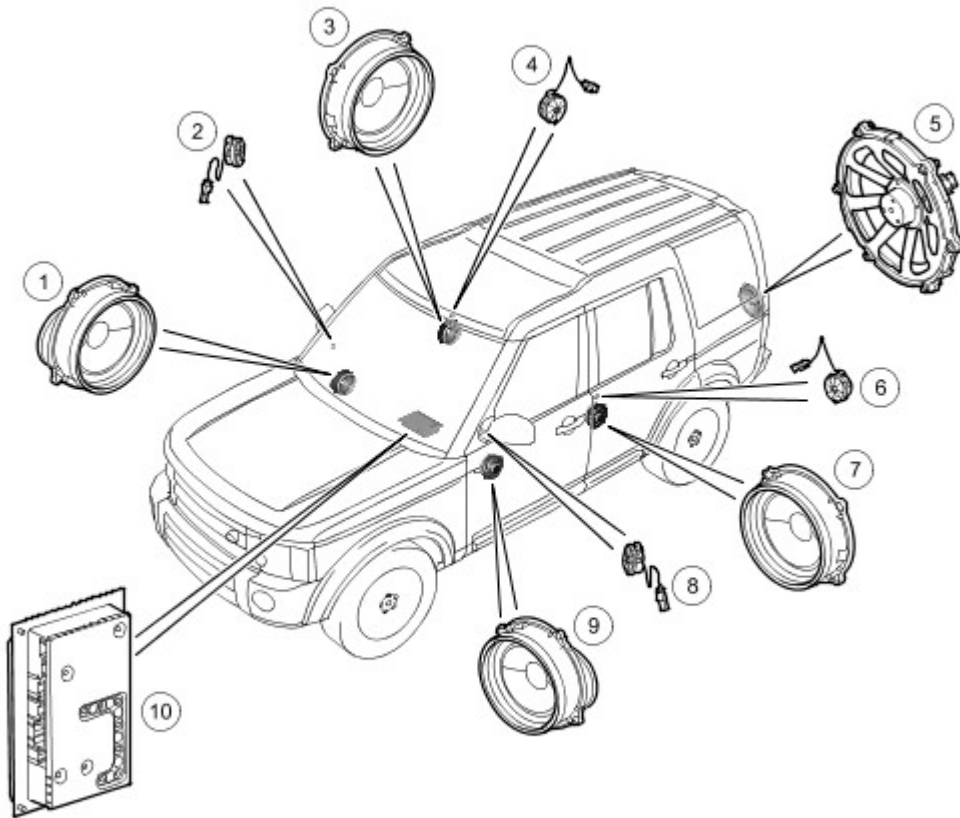
.The system comprises:

- Head unit
- Two front door mounted mid/bass speakers (one per side)
- Two front door mounted tweeters (one per side)

- Two rear door mounted full range speakers (one per side)

## HIGH LINE-HARMAN/KARDON AUDIO SYSTEM

### High line-Harman/Kardon Audio System Speaker Component Location



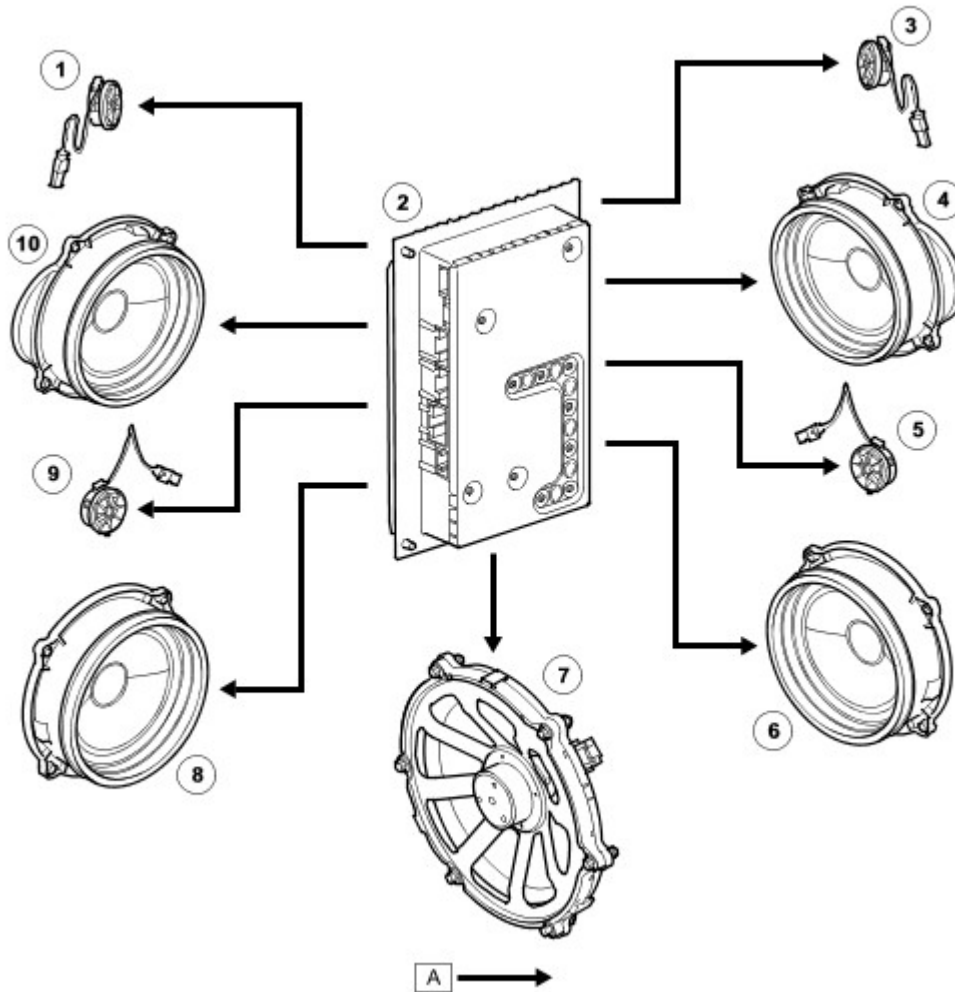
E49743

Item	Part Number	Description
1	-	Front RH mid/bass speaker
2	-	Front RH tweeter
3	-	Rear RH mid/bass range
4	-	Rear RH tweeter
5	-	Sub-woofer
6	-	Rear LH tweeter
7	-	Rear LH mid/bass range
8	-	Front LH tweeter
9	-	Front LH mid/bass speaker
10	-	High line amplifier

### High line-Harman/Kardon Audio System Speaker Control Diagram

**NOTE :**

A= Hardwired



E48353

Item	Part Number	Description
1	-	Front LH tweeter
2	-	High line amplifier
3	-	Front RH tweeter
4	-	Front RH mid/bass speaker
5	-	Rear RH tweeter
6	-	Rear RH mid/bass speaker
7	-	Sub-woofer
8	-	Rear LH mid/bass speaker
9	-	Rear LH tweeter
10	-	Front LH mid/bass speaker

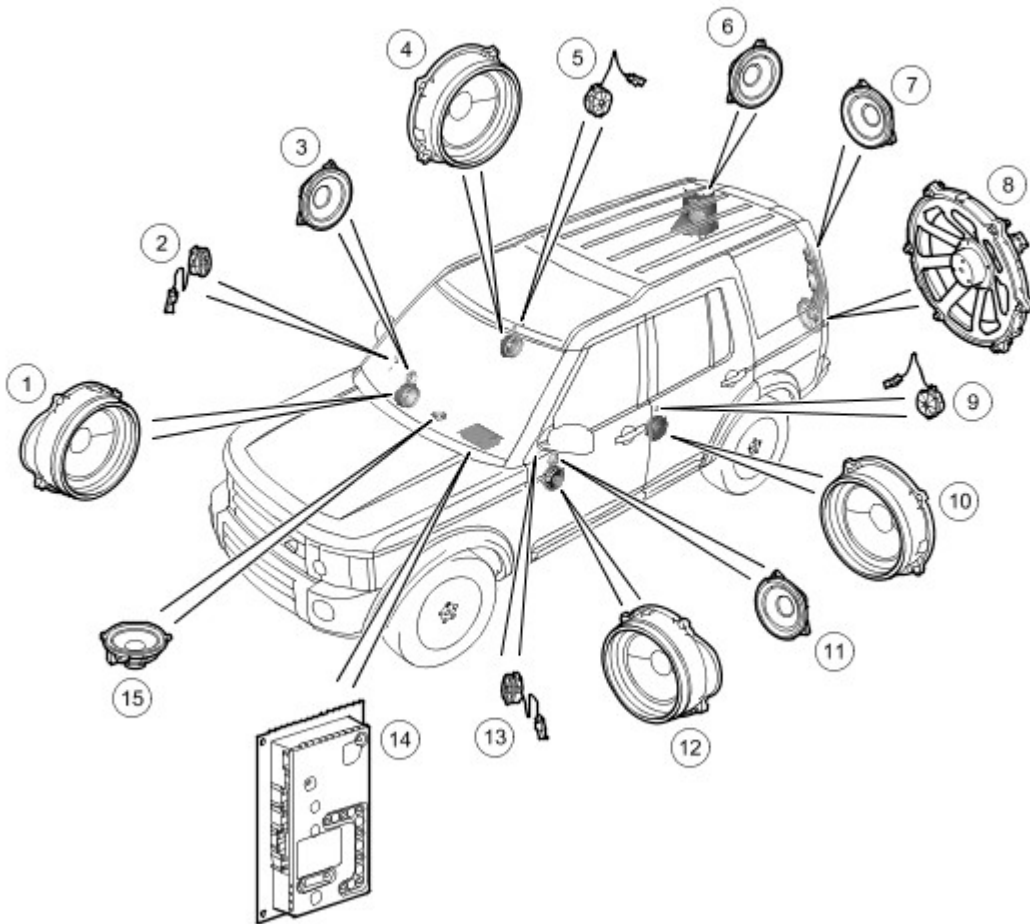
The High line-Harman/Kardon audio speaker system is driven by an amplifier located under the RH front seat. The amplifier is controlled by the Integrated Head Unit (IHU) on the MOST bus and supplies 6x50 watts output, giving a total system power rating of 300 watts For additional information, refer to [Audio System](#) (415-01 Audio Unit)  
 . The system comprises:

- Integrated Head Unit (IHU) Head unit.

- Two front door mounted mid/bass range speakers (one per side).
- Two front door mounted tweeters (one per side).
- Two rear door mounted mid/bass range speakers (one per side).
- Two rear door mounted tweeters (one per side).
- A sub-woofer located in the lower tailgate.
- An audio amplifier located under the front RH seat.

## PREMIUM AUDIO SYSTEM - HARMAN/KARDON LOGIC7

### Premium Audio - Harman/Kardon LOGIC7 Audio System Speaker Component Location



E49744

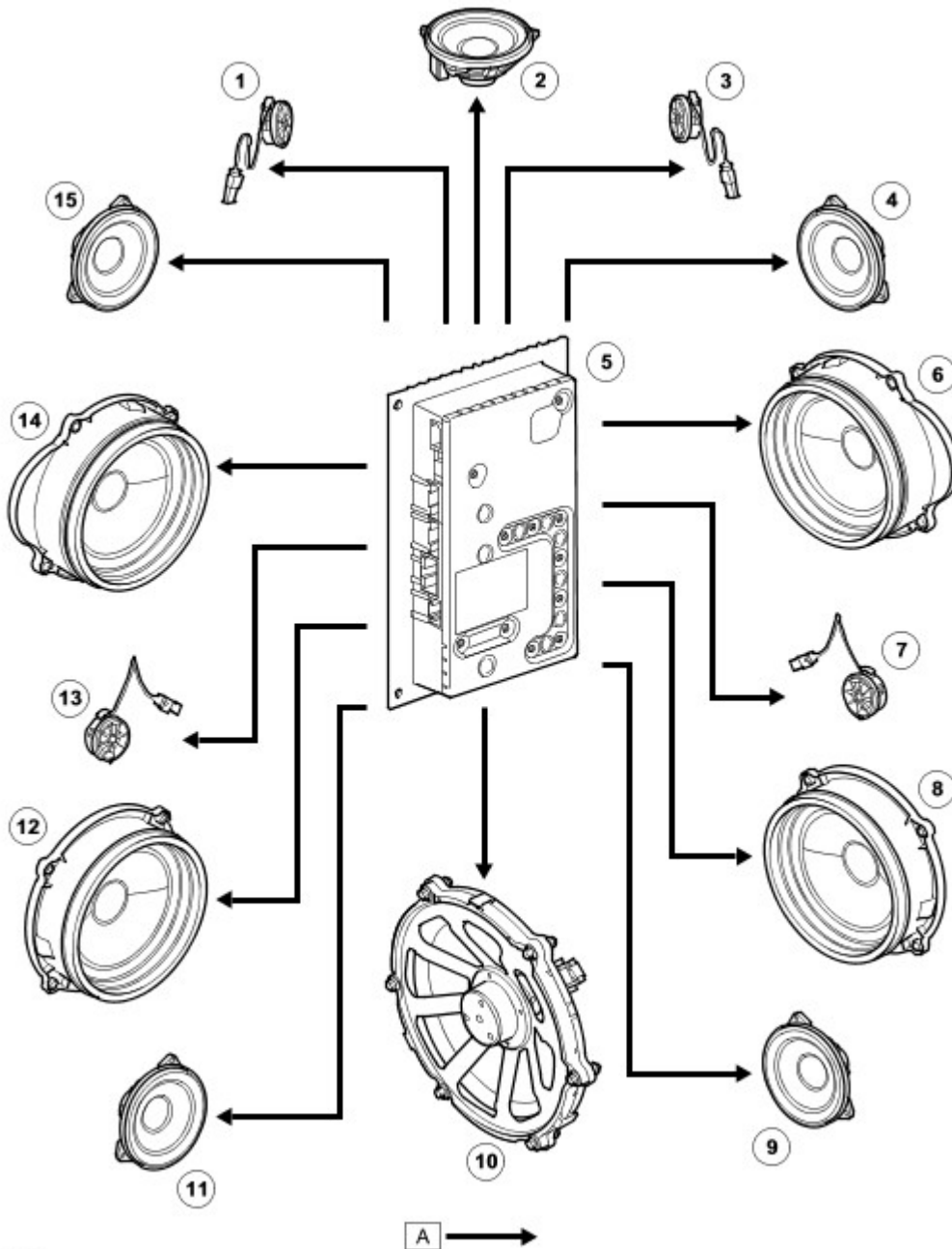
Item	Part Number	Description
1	-	Front RH bass speaker
2	-	Front RH tweeter
3	-	Front RH mid range speaker
4	-	Rear RH mid/bass speaker
5	-	Rear RH tweeter
6	-	Rear RH surround speaker
7	-	Rear LH surround speaker

8	-	Sub-woofer
9	-	Rear LH tweeter
10	-	Rear LH mid/bass speaker
11	-	Front LH mid range speaker
12	-	Front LH bass speaker
13	-	Front LH tweeter
14	-	Premium amplifier
15	-	Front centre fill speaker

### Premium Audio - Harman/Kardon LOGIC7 Audio System Speaker Control Diagram

**NOTE :**

A= Hardwired



E48354

Item	Part Number	Description
1	-	Front LH tweeter
2	-	Front centre fill speaker
3	-	Front RH tweeter
4	-	Front RH mid range speaker
5	-	Premium amplifier
6	-	Front RH bass speaker
7	-	Rear RH tweeter
8	-	Rear RH mid/bass range speaker
9	-	Rear RH surround speaker
10	-	Sub-woofer

11	-	Rear LH surround speaker
12	-	Rear LH mid/bass range speaker
13	-	Rear LH tweeter
14	-	Front LH bass speaker
15	-	Front LH mid range speaker

The Premium Audio - Harman/Kardon LOGIC7 audio speaker system is driven by an amplifier located under the RH front seat. The amplifier is controlled by the Integrated Head Unit (IHU) on the MOST bus and supplies 12x50 watts output, giving a total system power rating of 600 watts. The system comprises:

- Integrated Head Unit (IHU) Head unit
- Two front door mounted mid range speakers (one per side)
- Two front door mounted bass speakers (one per side)
- Two front door mounted tweeters (one per side)
- Two rear door mounted mid/bass range speakers (one per side)
- Two rear door mounted tweeters (one per side)
- A sub-woofer located in the lower tailgate
- Two rear surround speakers
- One centre fill speaker located in the centre of the instrument panel
- Premium amplifier