





Fluid Pan, Gasket and Filter (44.24.04)

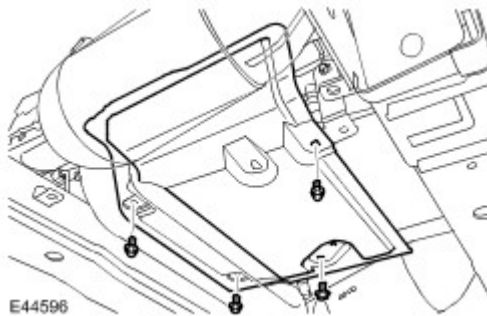
Removal

1. Disconnect the battery ground cable. For additional information, refer to [Specifications](#) (Section 414-00)

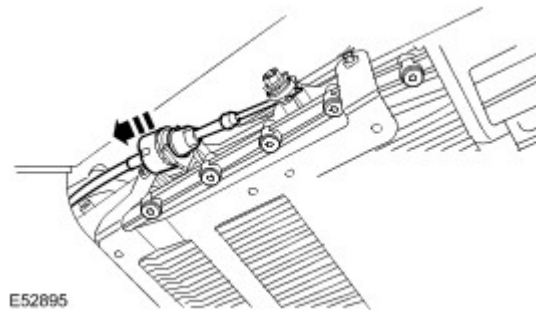
2.  **WARNING: Do not work on or under a vehicle supported only by a jack. Always support the vehicle on safety stands.**


Raise and support the vehicle.

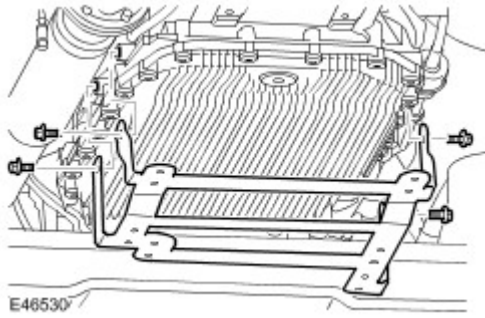
3. Remove the transmission heat shield.
 Remove the four retaining bolts.




4. Release the selector cable from its abutment bracket.



5. Remove the transmission heat shield bracket.
 Remove the four retaining bolts.

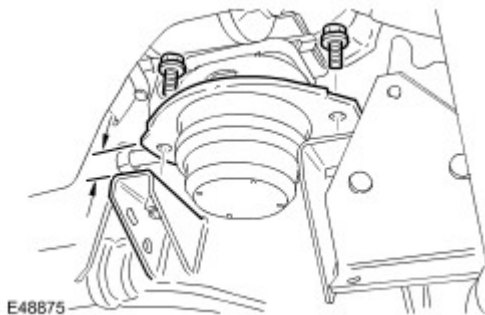


6. Drain the transmission fluid. For additional information, refer to [Transmission Fluid Drain and Refill \(44.24.02\)](#) (Section 307-01)

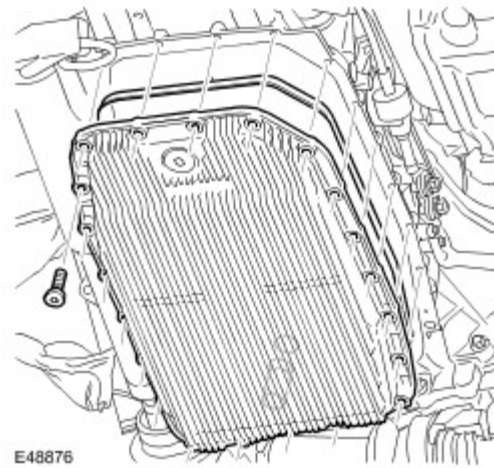
7.  **CAUTION: Protect the engine during this operation.**

Raise the RH side of the engine by approximately 35 mm (1.38 in).

- ▶ Use a transmission jack.
- ▶ Remove and discard the two retaining bolts.



8. Remove the fluid pan, gasket and filter.
- ▶ Position a container to collect the fluid spillage.
 - ▶ Remove the 21 Torx screws.
 - ▶ Remove and if necessary, discard the seal.
 - ▶ Discard the O-ring seal.



Installation

1. Install the fluid pan, gasket and filter.
 - ▶ Clean the components mating faces.
 - ▶ Install a new O-ring seal.
 - ▶ Tighten the Torx screws to 8 Nm (6 lb.ft).
2. Lower the RH side of the engine.
 - ▶ Remove the transmission jack.
 - ▶ Install new engine mounting retaining bolts and tighten to 45 Nm (33 lb.ft).
3. Install the transmission heat shield bracket.
 - ▶ Install the four retaining bolts and tighten to 10 Nm (7 lb.ft).
4. Install the selector cable to its abutment bracket.
5. Install the transmission heat shield.
 - ▶ Install the four retaining bolts and tighten to 10 Nm (7 lb.ft).
6. Connect the battery ground cable. For additional information, refer to [Specifications](#) (Section 414-00)
7. Refill the transmission with fluid. For additional information, refer to [Transmission Fluid Drain and Refill \(44.24.02\)](#) (Section 307-01)