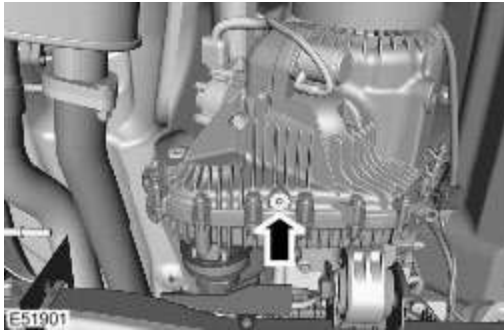


Transfer Case Draining and Filling

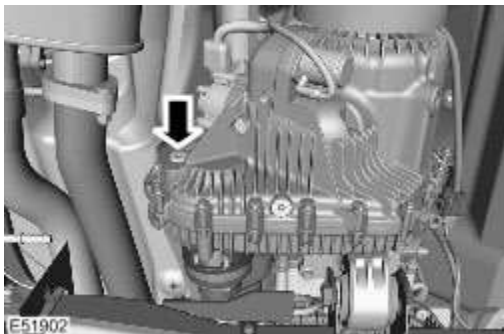
1. **WARNING: Do not work on or under a vehicle supported only by a jack. Always support the vehicle on safety stands.**

Raise and support the vehicle.

2. Position a container to collect the fluid.
3. Remove the fluid drain plug.
 - Clean the immediate area.
 - Remove and discard the sealing washer.



4. Allow the fluid to drain.
5. Install the drain plug and tighten it to **22 Nm (16 lb.ft)**.
 - Clean the component mating faces.
 - Install a new sealing washer.
6. Remove the fluid filler/level plug.
 - Clean the immediate area.
 - Remove and discard the sealing washer.



7. Refill transfer case with the recommended fluid, until the fluid is level with bottom of filler/level plug hole.
8. Install the fluid filler/level plug and tighten to **22 Nm (16 lb.ft)**.
 - Clean the component mating faces.
 - Install a new sealing washer.