



# TECHNICAL BULLETIN

No: LA-501-005

Issue: 1

Date: 25 Apr 2005

CIRCULATE: TO

Service Mgr  
X

Warranty  
X

Workshop  
X

Body Shop  
X

Parts  
X

**SECTION:** 501-09

## Visibility from Side Mirror

**AFFECTED VEHICLE RANGE:**

Land Rover LR3 (LA)

VIN: 5A000259 and up

**CONDITION SUMMARY:**

**ADJUSTMENT LIMITS PREVENT DESIRED MIRROR VIEW**

A customer may report a concern of an inability to adjust the **passenger** door mirror to the desired inboard view along the passenger side of the vehicle when the driver seat is in the fully forward position, even when the door mirror is adjusted fully inboard. Insufficient inboard travel of the passenger side door mirror when the driver's seat is fully forward is the cause.

**Action:** Should a customer express concern regarding the above, refer to the Service Procedure detailed in this bulletin to provide additional inboard adjustment.

**PARTS:**

CSZ500010.....Spacer - RH Mirror Qty 1

**WARRANTY:**



**NOTE:** Repair procedures are under constant review, and therefore times are subject to change; those quoted here must be taken as guidance only. Always refer to DDW to obtain the latest repair time.

DDW requires the use of causal part numbers. Labor only claims must show the causal part number with a quantity of zero.

Description	SRO	Time (Hours)	Condition Code	Causal Part
Install spacer to passenger door mirror	76.11.89/66	0.10	07	CRB502341PMA

*Normal warranty policy and procedures apply.*

**NOTE:** The information in Technical Information bulletins is intended for use by trained, professional technicians with the knowledge, tools, and equipment required to do the job properly and safely. It informs these technicians of conditions that may occur on some vehicles, or provides information that could assist in proper vehicle service. The procedures should not be performed by "do-it-yourselfers."  
If you are not a Retailer, do not assume that a condition described affects your vehicle. Contact an authorized Land Rover service facility to determine whether the bulletin applies to a specific vehicle.

## REPAIR PROCEDURE

### INSTALL SPACER BEHIND MIRROR MOTOR

△ **NOTE: GTR lookup sequence is as follows:**  
**GTR Home > NAS > Service Information/ LA LR3/2005 > Workshop Manuals > 2005 Workshop Manual > Bookmark "501-09 Rear View Mirror" > link "Removal and Installation/ Exterior Mirror Glass"**

1. Refer to GTR Workshop Manual Section 501-09, and remove the passenger side door mirror glass.
2. Remove the T10 Torx screw from center of the mirror motor. (Figure 1)
3. Insert a trim fork behind the motor and gently pry the motor to release the retaining clips from main casting. (Figure 2)

△ **NOTE: The motor electrical connector should not be disconnected during this procedure.**

4. With the electrical connector undisturbed, position the motor assembly to one side.

△ **NOTE: The plastic spacer is designed so that each of the end caps fits over a corresponding boss protruding from the main casting and the central tab of the spacer fits into an existing hole in the casting.**

5. Install the plastic spacer onto the main casting. (Figure 3)
6. Position the motor under the inboard clip on the main casting. (① in Figure 4)
7. Push the motor into position. (② in Figure 4)
8. Install the Torx retaining screw and tighten to a maximum torque of **1.2Nm (10.6 lbf.in)**.
9. Refer to GTR Workshop Manual Section 501-09, and install the passenger side door mirror glass.

Figure 1

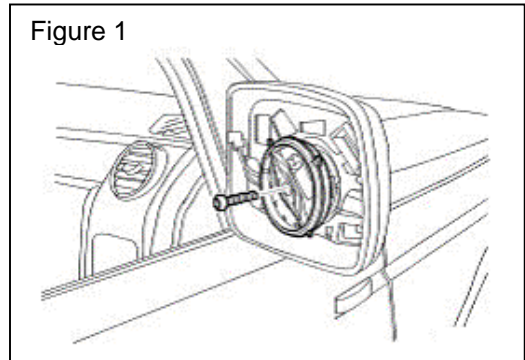


Figure 2

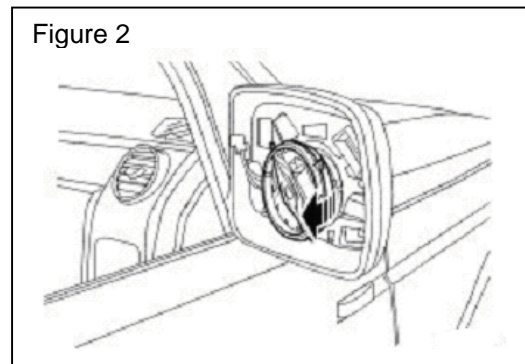


Figure 3

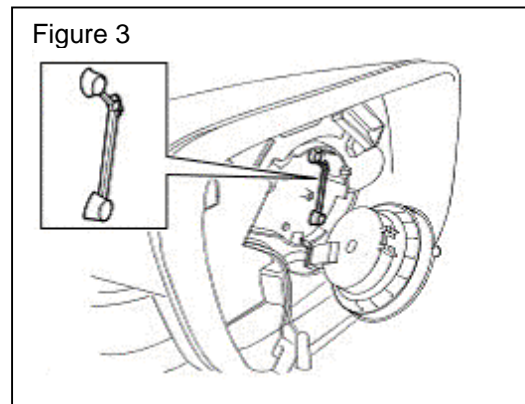


Figure 4

