



TECHNICAL BULLETIN

No: LA-415-002
Issue: 1
Date: 08 Sep 2005

CIRCULATE: TO

Service Mgr
X

Warranty
X

Workshop
X

Body Shop
X

Parts
X

SECTION: 415-07

KIT Accessory DVD Poor Sound Quality

AFFECTED VEHICLE RANGE:

Land Rover LR3 (LA)

All equipped with Kit DVD system

CONDITION SUMMARY:

LOW VOLUME OR POOR SOUND QUALITY



NOTE: The issue described in this bulletin is separate from the problem that does not permit the use of the 'Audio Over the Speaker Function' on a dealer installed KIT accessory DVD system. Resolution of the audio-over-speakers issue is covered in a separate Technical Bulletin LA415-001.

A customer may report a concern of poor sound quality or low volume levels on a dealer-installed accessory DVD system when it is played through the vehicle's speakers.

Cause: An electronic design fault within the DVD interface module is the cause of the above complaint.

Action: Should a customer express concern regarding the above, refer to the Repair Procedure detailed in this bulletin and replace the module.

PARTS:

VUB503990DVD interface module Qty 1 KIT DVD installation

WARRANTY:



NOTE: Repair procedures are under constant review, and therefore times are subject to change; those quoted here must be taken as guidance only. Always refer to DDW to obtain the latest repair time.

DDW requires the use of causal part numbers. Labor only claims must show the causal part number with a quantity of zero.

Description	SRO	Time (Hours)	Condition Code	Causal Part
Renew DVD interface module	86.53.89/33	0.30	42	VUB503140

Normal warranty policy and procedures apply.

NOTE: The information in Technical Information bulletins is intended for use by trained, professional technicians with the knowledge, tools, and equipment required to do the job properly and safely. It informs these technicians of conditions that may occur on some vehicles, or provides information that could assist in proper vehicle service. The procedures should not be performed by "do-it-yourselfers."
If you are not a Retailer, do not assume that a condition described affects your vehicle. Contact an authorized Land Rover service facility to determine whether the bulletin applies to a specific vehicle.

REPAIR PROCEDURE

INSTALL REPLACEMENT DVD INTERFACE MODULE

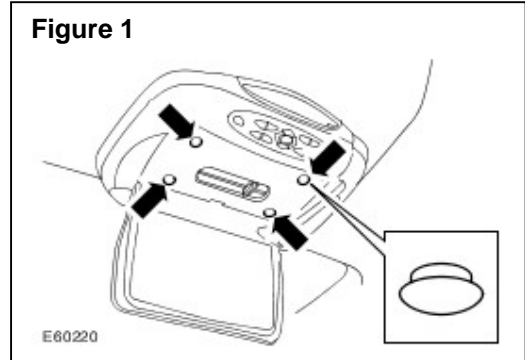
NOTE: GTR lookup sequence is as follows:
GTR Home > NAS > Service Information/ LA
LR3/2006 > Workshop Manuals > Discovery 3 / LR3
Workshop Manual > Bookmark " 414-00 : Charging
System - General Information " > Link
"Specifications"

1. Refer to GTR LR3 Workshop Manual Section 414-00 and disconnect the vehicle battery.
2. Remove the four DVD unit retaining screw covers. (Figure 1)

CAUTION: Damage may result if the unit is suspended by the wiring harness.

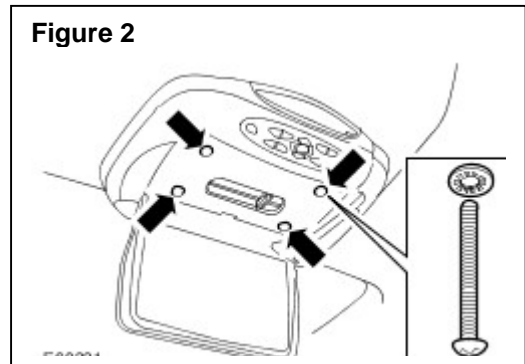
3. Remove the four retaining screws. (Figure 2)
4. Disconnect the ground connection. (Figure 3)
5. Disconnect the electrical connectors and remove the DVD unit. (Figure 4)
6. Where installed, disconnect the rear A/C control electrical connectors. (Figure 5)
7. Remove the DVD interface module from the mounting bracket. (Figure 6)

Figure 1



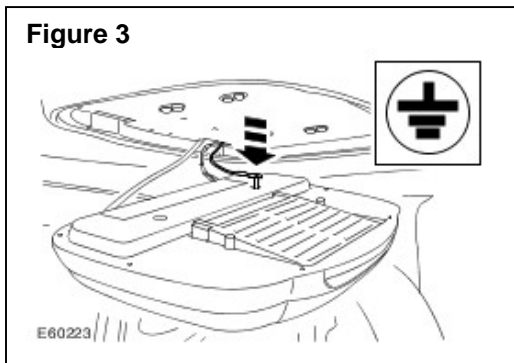
E60220

Figure 2



E60221

Figure 3



E60223

Figure 4

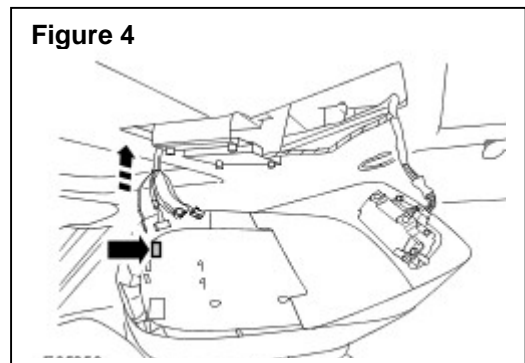
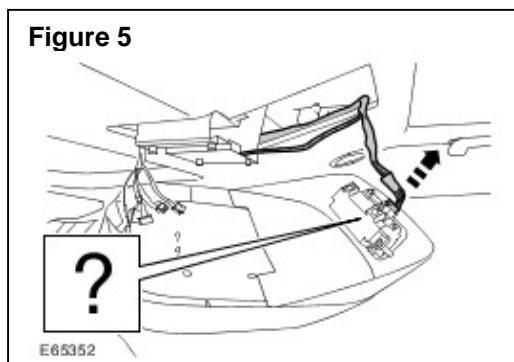
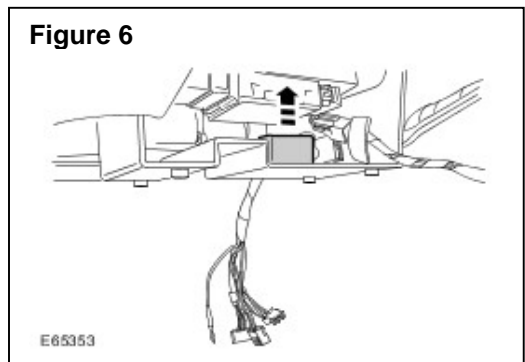


Figure 5




E65352

Figure 6



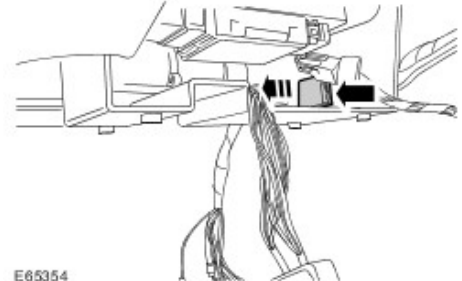
E65353

8. Release the white electrical connector from the mounting bracket. (Figure 7)
9. Release the wiring harness to gain access. (Figure 8)
10. Disconnect the DVD interface module and discard the module. (Figure 9)
11. Install the new DVD interface module (VUB503990). (Figure 10)
12. Secure the wiring harness.
13. Secure the white electrical connector to the mounting bracket.
14. Secure the DVD interface module to the mounting bracket.
15. Where installed, connect the rear A/C control electrical connectors.
16. Connect the electrical connectors.
17. Connect the ground connection and position the DVD unit.

 **NOTE: Tightening the retaining screws evenly to the correct torque is important for the correct operation of the DVD display unit.**

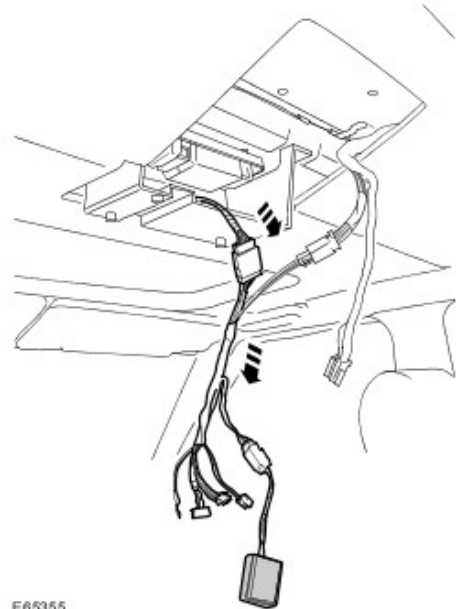
18. Install the four retaining screws and tighten to **5-7 Nm (3.7-5.2 lbf-ft)**.
19. Install the four retaining screw covers.
20. Refer to the GTR section 414-00 and connect the vehicle battery.

Figure 7



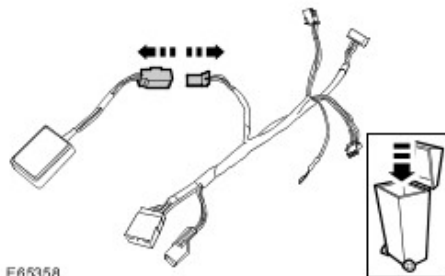
E65354

Figure 8



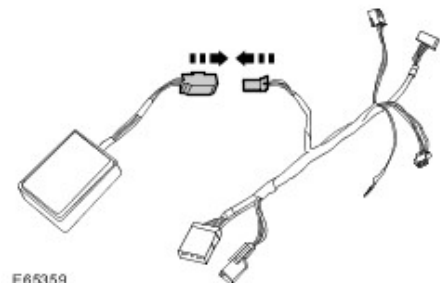
E65355

Figure 9



E65358

Figure 10



E65359