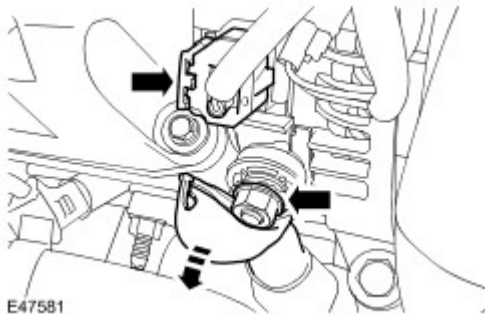


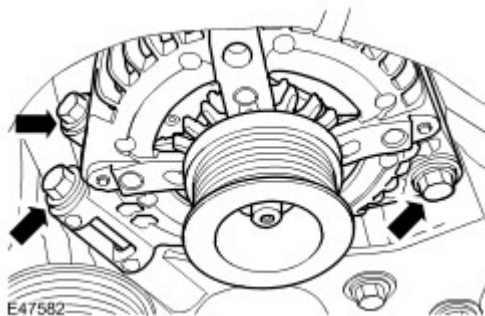
## Generator (86.10.02)

### Removal


1. Disconnect the battery ground cable. For additional information, refer to [Specifications](#) (Section 414-00)
2. Remove the accessory drive belt. For additional information, refer to [Accessory Drive Belt \(86.10.03\)](#) (Section 303-05)
3. Disconnect the generator electrical connectors.
  - ▶ Release the gaiter, remove the nut and disconnect the cable.
  - ▶ Disconnect the electrical connector.



4. Remove the generator.
  - ▶ Remove the 3 bolts.

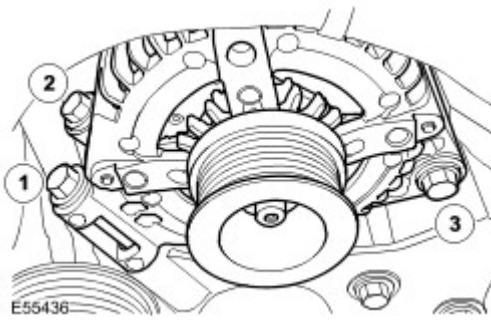


### Installation

1.  **CAUTION: Tighten the bolts in the sequence shown.**

Install the generator.

- ▶ Clean the component mating faces.
- ▶ Tighten the bolts to 45 Nm (33 lb.ft).



2. Connect the generator electrical connectors.
  - ▶ Tighten the nut to 10 Nm (7 lb.ft).
  - ▶ Connect and secure the electrical connector.
3. Install the accessory drive belt. For additional information, refer to [Accessory Drive Belt \(86.10.03\)](#) (Section 303-05)
4. Connect the battery ground cable. For additional information, refer to [Specifications](#) (Section 414-00)